

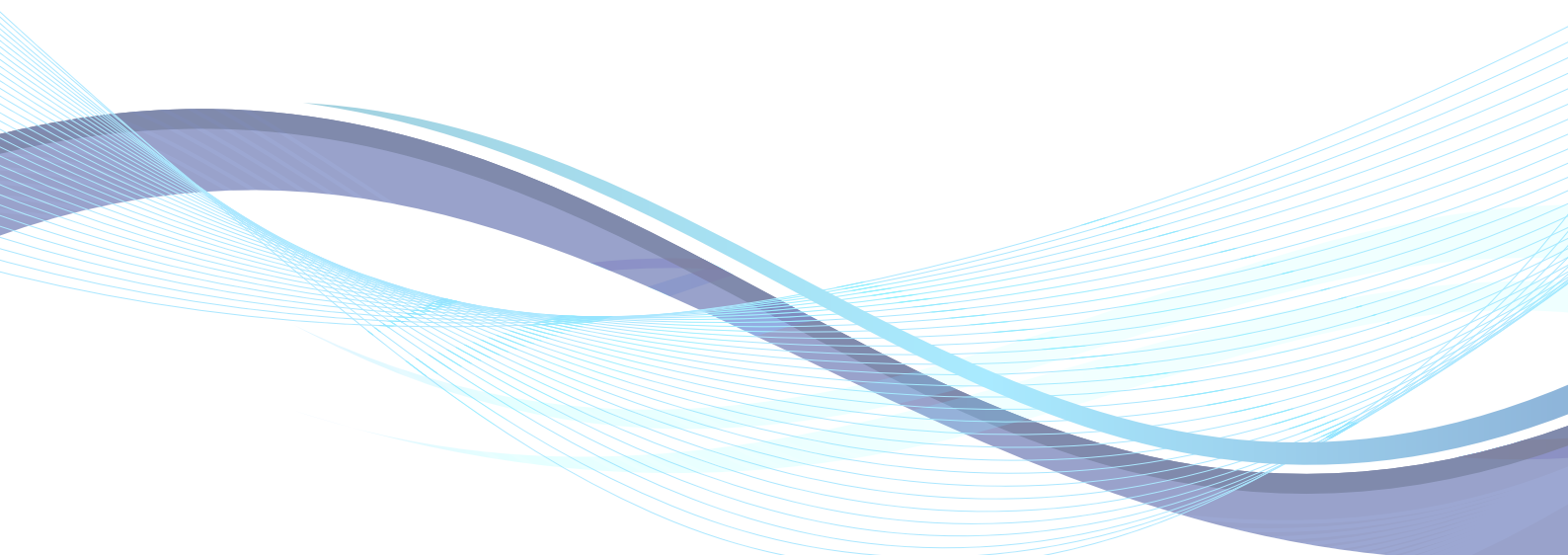


WATER BOOK

English version

PROFESSIONAL WATER FILTRATION AND TREATMENT

2019





THE GROUP

The Water Line Group includes leading companies in the sector, all linked by a common denominator: Water and passion for the customer.

Water line Srl, based in Rubiera (RE), was founded in 1990 and has been characterized, since the beginning, by innovation, development and a clear and defined commercial policy: addressing exclusively the operators of the swimming pool and water treatment sector with the goal of becoming a distributor-partner.

At the base of our activity there is a wide range of articles and a quality service, aimed at obtaining continuous customer satisfaction.

In 2005 he entered into partnership with AMG, a company based in Correggio (RE), specialized in the thermoplastic molding sector with a constantly updated range of products including filters, filter cartridges, polyphosphate dispensers, UV sterilizers, and countless other articles to meet the various needs of filtration and water treatment.

With the acquisition of Brewservice in 2007 and of Nuti in 2010, Bevco was born, a division that offers various

solutions for refrigeration, carbonation and beverage supply (water, beer, softdrinks, etc.) produced in the two original factories, located in Alessandria and Prato. The Bevco range also includes all the accessories necessary for installation and maintenance as well as a complete range of filters for the vending and HORECA world.

In 2012, Sodax was born, an Italian company dedicated to the design, production and marketing of the plant of the same name that represents a genuine revolution in the domestic equipment sector for the supply of filtered and sanitized hot / extra hot, cold or sparkling water with an intelligent user interface and intuitive that allows the widest flexibility of delivery.

In 2012, the Bologna-based company Plastik, which has been operating in the injection molding sector for all types of engineering plastics, with specialization in insert molding, also joins the Group.



THE COMPANY

For over two decades Water line Srl has been operating in the Italian and foreign market, as a distributor in the swimming pool and water treatment sector.

The great experience in this sector has guaranteed a continuous growth in terms of turnover, which has translated into new spaces for development and investments. Our business is aimed exclusively at operators and professionals, which we support with a wide selection of materials suited to their every need and business.

We pay particular attention to our range offer and guarantee the customer the highest product reliability, continuous updating of the same, personalized support and after-sales assistance.

BEVCO | **Nuti**
brewservice

sodax

CEMINDUSTRIES®
DISPENSING EQUIPMENT INNOVATION

amg

PLASTIK



Quality



Innovation



Attention to the
customer



Seriousness

TABLE OF CONTENTS

1	DOMESTIC PROFESSIONAL FILTRATION AND ACCESSORIES	4
1.	MICROFILTRATION	8
2.	INLINE ULTRAFILTRATION	29
3.	FLOW METERS	30
2	FILTRATION CARTRIDGES AND HOUSINGS	32
1.	FILTRATION CARTRIDGES	36
2.	HOUSINGS FOR CARTRIDGES	52
3.	SELF-CLEANING FILTERS	69
3	INDUSTRIAL FILTER HOUSINGS	76
	SS MULTICARTRIDGE FILTER HOUSING	79
	SS BAG FILTERS	81
4	UV STERILIZERS, POLYPHOSPHATE FEEDERS, MAGNETIC SLUDGE FILTER, CONDENSATE NEUTRALIZER	84
1.	ULTRA-VIOLET STERILIZERS	87
2.	POLYPHOSPHATE DOSERS	94
3.	BOILER PROTECTION SYSTEMS	98
4.	CONDENSATE NEUTRALIZER	99
5	CLACK VALVES	100
1.	AUTOMATIC CLACK VALVES	104
2.	CLACK ACCESSORIES	123
3.	SPARE PARTS AND EXPLODED DRAWING	127
6	FLECK VALVES	154
1.	FLECK	158
2.	FLECK ACCESSORIES	168
3.	SPARE FLECK	171
7	HYDROPNEUMATIC VALVES AND SIATA VALVES	216
1.	CAST IRON HYDROPNEUMATIC VALVES	220
2.	SIATA VALVES	222
3.	SIATA ACCESSORIES	232
4.	SIATA TIMER	234
5.	SPARE SIATA	236
8	RUNXIN, AUTOTROL, CANATURE	248
1.	RUNXIN	251
2.	AUTOTROL	258
3.	CANATURE VALVE	262
4.	MANUAL VALVE	266
9	PRESSURE TANKS AND DISTRIBUTION SYSTEMS	268
1.	PRESSURE TANKS	271
2.	DISTRIBUTION SYSTEMS	275

10	CABINETS, BRINE TANKS AND ACCESSORIES FOR SOFTENING	280
1.	CABINETS AND BRINE TANK	284
2.	ACCESSORIES FOR SOFTENING	294
11	REVERSE OSMOSIS EQUIPMENTS, ACCESSORIES AND SPARES	302
1.	RO KIT PRE-ASSEMBLED	305
2.	COMPONENTS FOR REVERSE OSMOSIS	309
3.	TUBES IN PLASTIC MATERIAL	321
12	DOSING EQUIPMENTS AND ANALYSIS TOOLS	324
1.	QUICK ANALYSIS KITS	328
2.	ANALYSIS TOOLS	332
3.	DOSING PUMPS	335
4.	POLYETHYLENE TANKS	339
5.	WATER METERS	340
13	RO - NF - UF MEMBRANES MEMBRANE HOUSINGS AND ACCESSORIES	342
1.	REVERSE OSMOSIS AND NANOFILTRATION MEMBRANES	347
2.	FIBERGLASS VESSELS FOR MEMBRANES	354
3.	SS 316L VESSEL FOR MEMBRANES	362
4.	VESSEL IN PLASTIC MATERIAL FOR MEMBRANES	366
14	IONIC EXCHANGE RESINS, FILTERING MEDIA AND CHEMICALS PRODUCTS	368
1.	EXCHANGER RESINS	371
2.	FILTERING MATERIALS	373
3.	CHEMICALS	374
15	PLASTIC FITTINGS	380
1.	JOHN GUEST PLASTIC FITTINGS	385
16	WATER SOFTENERS AND COLUMN FILTERS IN PRE-ASSEMBLED KIT	404
1.	VOLUMETRIC WATER SOFTENER CABINET WITH CANATURE VALVE	408
2.	VOLUMETRIC WATER SOFTENERS CABINET WITH RUNXIN VALVE	409
3.	CABINET WATER SOFTENERS WITH CLACK VALVE	410
4.	CABINET WATER SOFTENERS WITH FLECK VALVE	412
5.	WATER SOFTENERS WITH AUTOTROL VALVE	416
6.	FILTRATION - DECLORATION - DEIRONING	417
7.	STANDARD CABINETS	419
8.	OPTIONAL CABINETS	420
9.	TECHNICAL TABLES	421
17	DISPENSER	424
1.	HOME & OFFICE WATER DISPENSING SYSTEMS	428
2.	HORECA DISPENSING SOLUTIONS	436
3.	WATER DISPENSING SYSTEMS FOR HO.RE.CA AND PUBLIC FOUNTAINS	444
4.	DISPENSER OFFICE	451
5.	FILTRATION SYSTEMS	452
6.	REVERSE OSMOSIS SYSTEMS	454
7.	TAPS AND TOWERS	456
	TERMS AND CONDITIONS	466



01



DOMESTIC | PROFESSIONAL FILTRATION AND ACCESSORIES

Microfiltration | Inline ultrafiltration | Flow meters

1. MICROFILTRATION

OCEANO FILTERS WITH BAYO/STEM CONNECTION BAYO	8
MINI FILTER BAYO	8
OK35 - PRECOAT 0,5µm BAYO	9
OK36 - PRECOAT 0,5µm AG BAYO	9
OK38 - PRECOAT 0,5µm AG BAYO SLIM	9
OK10 - SINTERED CARBON BLOCK AG 0.3 µm BAYO	10
OK12 - SINTERED CARBON BLOCK AG 0.3 µm STEM	10
OK25 - SINTERED CARBON BLOCK AG 0.5 µm + UF MEMBRANE 0.1 µm BAYO	10
OK27 - SINTERED CARBON BLOCK AG 0.5 µm + UF MEMBRANE 0.1 µm STEM	10
OK16 - SINTERED CARBON BLOCK 0.5 µm AG BAYO	11
OK18 - SINTERED CARBON BLOCK 0.5 µm AG STEM	11
OK20 - EXTRUDED CARBON BLOCK 5 µm BAYO	11
OK21 - EXTRUDED CARBON BLOCK 5 µm STEM	11
OK45 - TECHNO GAC FILTER BAYO	12
OK47 - TECHNO GAC FILTER STEM	12
OK40 - ANTI-NITRATES 5 µm BAYO	12
OK42 - ANTI-NITRATES 5 µm STEM	12
OK30 - SEDIMENT PP 5 µm BAYO	13
OK31 - SEDIMENT PP 5 µm STEM	13
OK80 - DOLOMITE ROCK FILTER BAYO	13
OK50 - OMEGA PLUS - STRONG CATION BAYO	14
OK55 - OMEGA PLUS - STRONG CATION STEM	15
OK60 - HYDRA ONE - WEAK CATION BAYO	16
OK65 - HYDRA ONE - WEAK CATION STEM	17
OK70 - HYDRA DS - WEAK CATION + CARBON BAYO	18
OK75 - HYDRA DS - WEAK CATION + CARBON STEM	19
OK76 - HYDRA DS MIX	20
OPENING FILTER FOR SANITIZATION	21
FILTER HEAD	21
KIT OCEANO OK10S	21
SOFTENERS FOR OCS	22
SUCTION SOFTENERS	22
PRESSURE SOFTENERS	22
SOFTENER BAG	22
OCEANO FILTERS FOR REFRIGERATORS	23
MAYTAG KENMORE 46-9006 / UKF8001* MOD. N° AQF-111MT	23

SAMSUNG MODEL DA-97-08006A-B HAF-CIN/EXP	23
WHIRLPOOL 4396508 / KENMORE 46-9010 , 46-9902 & 46-9908*	24
LG LT500P / KENMORE* 46-9890 WF290	24
INLINE FILTERS	25
TRASPARENT FULL KIT	25
WHITE FULL KIT	25
REPLACEMENT CARTRIDGES	25
HOUSING	25
SERIES UV 500	26
UV 501	26
UV 502	27
UV LED 2	28
SPARE PARTS UV 501 & UV 502	28

2. INLINE ULTRAFILTRATION

UF LENGTH 6"	29
SSU ULTRAFILTRATION	29

3. FLOW METERS

DIGIFLOW 6000R-L	30
DIGIFLOW 8000T-L	30
SHUT OFF METER	30

1. MICROFILTRATION

OCEANO FILTERS WITH BAYO/STEM CONNECTION

OCEANO filters are an advanced and unique filtration system for the improvement of drinking water so that they become of excellent taste. OCEANO adopts a microfiltration technology approved by the ministry of health. The filters are available with different degrees of microfiltration and remove any suspended substances, chlorine and derivatives, organo-halogen compounds, organic substances and metal compounds from the water.

Ministry of Health Authorization No. 0009526-P-28/02/2009 (OK10)



- PACKAGING
- Filters SMALL box 6 pcs
- Filters MEDIUM box 6pcs
- Filters LARGE box 6pcs

Temperature: max 39 °C (100 °F) min 2 °Cm(35 °F)



MINI FILTER BAYO

OCEANO Mini filter is the miniaturized filter with bayonet connection. The special filter head with tilting bracket and very small dimensions allow it to be used in very narrow spaces or in the internal compartments of water dispensers. Can use the sintered Carbon Block Ag technologies 0.5 micron bacteriostatic, Pre Coat System 0.5 µm and Techno GAC 5 µm with Granular Carbon. The filter head is complete with an automatic flow shut-off valve with 6 mm quick fitting.

Model	Techno GAC 5 µm	CBS 0.5µm Ag	PCS 0,5 µm	Mini head
Code	OK01N00	OK03N00	OK05N00	OKT3000
Height with head (mm)	173 (210)	173 (210)	173 (210)	
Diameter (mm)	58	58	58	
Max flow (l/min)	4	2	2	
Capacity	5.000	3.500	3.500	
Body material	PP	PP	PP	Noryl/POM



Code	Description	€
OK01N00	Mini Filter cartridge bayo Techno GAC 5 µm	
OK03N00	Mini Filter cartridge bayo Carbon Block Sintered 0.5 µm Ag	
OK05N00	Mini Filter cartridge bayo Pre Coat System 0,5 µm Ag	
OKT3000	Mini head Ø 6 with pivoting bracket	

OK35 - PRECOAT 0,5µm BAYO OK36 - PRECOAT 0,5µm AG BAYO

OCEANO PCS uses 0.5 µm Pre-Coat technology, thanks to the high-surface membrane and powdered activated carbon, mechanically removes suspended substances greater than 0.5µm, chlorine and derivatives, organ-halogenated compounds, organic substances from water and metal compounds. The bacteriostatic element found in the filter structure, present in a strengthened form in the + Ag version, prevents bacteria and viruses from proliferating, thus keeping the water bacteriologically pure.



Model	S	M	L
Code Pre Coat µm 0,5	OK35S00	OK35M00	OK35L00
Code Pre Coat µm 0,5 + Ag	OK36S00	OK36M00	OK36L00
Eight (mm)	255	371	528
Diameter (mm)	88	88	88
Max flow (l/min)	3	6	8
Capacity (l)	5.000	11.000	34.000
Filter body material	PP	PP	PP



Code	Description	€
OK35S00	Oceano filter cartridge bayo S PreCoat system bayo 0,5µm	
OK35M00	Oceano filter cartridge bayo M PreCoat system bayo 0,5µm	
OK35L00	Oceano filter cartridge bayo L PreCoat system bayo 0,5µm	
OK36S00	Oceano filter cartridge bayo S PreCoat system bayo 0,5µm + AG	
OK36M00	Oceano filter cartridge bayo M PreCoat system bayo 0,5µm + AG	
OK36L00	Oceano filter cartridge bayo L PreCoat system bayo 0,5µm + AG	

OK38 - PRECOAT 0,5µm AG BAYO SLIM

OCEANO PCS uses 0.5 µm Pre-Coat technology, thanks to the high-surface membrane and powdered activated carbon, mechanically removes suspended substances greater than 0.5µm, chlorine and derivatives, organ-halogenated compounds, organic substances from water and metal compounds. The bacteriostatic element present in the filter structure prevents bacteria and viruses from proliferating, thus keeping the water bacteriologically pure. The cartridge has a compact body with a diameter of 80 mm suitable for installation in small spaces.



Model	S	M
Code	OK38S00	OK38M00
Eight (mm)	255	371
Diameter (mm)	80	80
Max flow (l/min)	3	6
Capacity (l)	5.000	11.000
Filter body material	PP	PP

Code	Description	€
OK38S00	Oceano filter cartridge bayo S PreCoat system bayo 0,5µm SLIM	
OK38M00	Oceano filter cartridge bayo M PreCoat system bayo 0,5µm SLIM	

OK10 - SINTERED CARBON BLOCK AG 0.3 μm BAYO

OK12 - SINTERED CARBON BLOCK AG 0.3 μm STEM

OCEANO CBS AG 0.3 μm adopts the special sintered 0.3 μm Carbon Block technology. Mechanically removes suspended substances greater than 0.3 μm, chlorine and derivatives from water, halogenated organ compounds, organic substances and metal compounds. The silver molecules present in the filter structure prevent bacteria and viruses from proliferating and therefore keep the water bacteriologically pure. Available in the "Bayo" and "Stem" version.

Ministry of Health Authorization No. 0009526-P-28/02/2009

Model	S	M	L
Code Bayo	OK10S00	OK10M00	OK10L00
Code Stem	OK12S00	OK12M00	OK12L00
Height (mm)	255	371	528
Diameter (mm)	88	88	88
Max flow (l/min)	3	6	8
Capacity (l)	5.000	11.000	22.000
Filter body material	PP	PP	PP



Code	Description	€
OK10S00	Oceano filter cartridge BAYO S CarbonBlock SinteredAG 0,3μm	
OK10M00	Oceano filter cartridge BAYO M CarbonBlock SinteredAG 0,3μm	
OK10L00	Oceano filter cartridge BAYO L CarbonBlock SinteredAG 0,3μm	
OK12S00	Oceano filter cartridge STEM S CarbonBlock SinteredAG 0,3μm	
OK12M00	Oceano filter cartridge STEM M CarbonBlock SinteredAG 0,3μm	
OK12L00	Oceano filter cartridge STEM L CarbonBlock SinteredAG 0,3μm	

OK25 - SINTERED CARBON BLOCK AG 0.5 μm + UF MEMBRANE 0.09 μm BAYO

OK27 - SINTERED CARBON BLOCK AG 0.5 μm + UF MEMBRANE 0.09 μm STEM

OCEANO CBS with dual filtration technology, 0.5 μm Ag sintered Carbon Block, combined with a 0.09 μm hollow fiber membrane, mechanically removes suspended substances greater than 0.09 μm from water, chlorine and derivatives, halogenated organ compounds, substances organic and metal compounds. The UF filtering membrane also allows an effective removal of bacteria that may be present in the water, making it microbiologically pure. Available in the "Bayo" and "Stem" version.

Model	S	M	L
Code Bayo	OK25S00	OK25M00	OK25L00
Code Stem	OK27S00	OK27M00	OK27L00
Height (mm)	255	371	528
Diameter (mm)	88	88	88
Max flow (l/min)	2,5	4,5	4,5
Capacity (l)	5.000	11.000	22.000
Filter body material	PP	PP	PP



Code	Description	€
OK25S00	Oceano filter cartridge BAYO S CarbonBlock Sintered+ UF 0,09μm	
OK25M00	Oceano filter cartridge BAYO M CarbonBlock Sintered+ UF 0,09μm	
OK25L00	Oceano filter cartridge BAYO L CarbonBlock Sintered+ UF 0,09μm	
OK27S00	Oceano filter cartridge STEM S CarbonBlock Sintered+ UF 0,09μm	
OK27M00	Oceano filter cartridge STEM M CarbonBlock Sintered+ UF 0,09μm	
OK27L00	Oceano filter cartridge STEM L CarbonBlock Sintered+ UF 0,09μm	

OK16 - SINTERED CARBON BLOCK 0.5 μm AG BAYO

OK18 - SINTERED CARBON BLOCK 0.5 μm AG STEM

OCEANO CBS AG 0.5 μm adopts the special 0.5 micron sintered Carbon Block technology. It removes from water mechanically substances in suspension greater than 0.5μm, chlorine and derivatives, organ-halogenated compounds, organic substances and metal compounds. The silver molecules present in the filter structure prevent bacteria and viruses from proliferating and therefore keep the water bacteriologically pure.



Model	S	M	L
Code Bayo	OK16S00	OK16M00	OK16L00
Code Stem	OK18S00	OK18M00	OK18L00
Height (mm)	255	371	528
Diameter (mm)	88	88	88
Max flow (l/min)	3	6	8
Capacity (l)	11.000	24.000	36.000
Filter body material	PP	PP	PP

Code	Description	€
OK16S00	Oceano filter cartridge BAYO S CarbonBlock SinteredAG 0,5 μm	
OK16M00	Oceano filter cartridge BAYO M CarbonBlock SinteredAG 0,5 μm	
OK16L00	Oceano filter cartridge BAYO L CarbonBlock SinteredAG 0,5 μm	
OK18S00	Oceano filter cartridge STEM S CarbonBlock SinteredAG 0,5 μm	
OK18M00	Oceano filter cartridge STEM M CarbonBlock SinteredAG 0,5 μm	
OK18L00	Oceano filter cartridge STEM L CarbonBlock SinteredAG 0,5 μm	

OK20 - EXTRUDED CARBON BLOCK 5 μm BAYO

OK21 - EXTRUDED CARBON BLOCK 5 μm STEM

OCEANO CBS 5 μm adopts the extruded Carbon Block technology with 5 micron filtration degree. It removes from water mechanically substances in suspension greater than 5μm, chlorine and derivatives, organhalogenated compounds, organic substances and metal compounds. Available in the "Bayo" and "Stem" version.



Model	S	M	L
Code Bayo	OK20S00	OK20M00	OK20L00
Code Stem	OK21S00	OK21M00	OK21L00
Height (mm)	255	371	528
Diameter (mm)	88	88	88
Max flow (l/min)	5	8	10
Capacity (l)	14.300	31.200	46.800
Filter body material	PP	PP	PP

Code	Description	€
OK20S00	Oceano filter cartridge BAYO S CarbonBlock Sintered 5μm	
OK20M00	Oceano filter cartridge BAYO M CarbonBlock Sintered 5μm	
OK20L00	Oceano filter cartridge BAYO L CarbonBlock Sintered 5μm	
OK21S00	Oceano filter cartridge STEM S CarbonBlock Sintered 5μm	
OK21M00	Oceano filter cartridge STEM M CarbonBlock Sintered 5μm	
OK21L00	Oceano filter cartridge STEM L CarbonBlock Sintered 5μm	

OK45 - TECHNO GAC FILTER BAYO

OK47 - TECHNO GAC FILTER STEM

OCEANO Techno GAC Filter consists of a filtering medium of silver-plated granular activated carbon followed by a filter to hold small particles in suspension present in the water. The filtering system has bacteriostatic properties, achieves a low-pressure drop, has a large TSS retention capacity and completely eliminates odors and tastes from water.

Available in the "Bayo" and "Stem" version.



Model	S	M	L
Code Bayo	OK45S00	OK45M00	OK45L00
Code Stem	OK47S00	OK47M00	OK47L00
Height (mm)	255	371	528
Diameter (mm)	88	88	88
Max flow (l/min)	5	8	10
Capacity (l)	19.000	38.000	64.500
Filter body material	PP	PP	PP

Code	Description	€
OK45S00	Oceano filter cartridge BAYO S Tecnologic GAC 5µm	
OK45M00	Oceano filter cartridge BAYO M Tecnologic GAC 5µm	
OK45L00	Oceano filter cartridge BAYO L Tecnologic GAC 5µm	
OK47S00	Oceano filter cartridge STEM S Tecnologic GAC 5µm	
OK47M00	Oceano filter cartridge STEM M Tecnologic GAC 5µm	
OK47L00	Oceano filter cartridge STEM L Tecnologic GAC 5µm	

OK40 - ANTI-NITRATES 5 µm BAYO

OK42 - ANTI-NITRATES 5 µm STEM

OCEANO Anti nitrates, it is made up of a column of ion exchange resins characterized by an exceptional selectivity towards nitrates and by a module for the retention of resins and any suspended micro particles. The resin used, strongly basic anionic, is characterized by a porous structure that allows an excellent kinetic exchange, a high resistance to physical, thermal and osmotic shocks, as well as organic fouling. Its composition complies with the current regulations governing food processing processes.

Available in the version with attack "Bayo" and "Stem".



Model	S	M	L
Code Bayo	OK40S00	OK40M00	OK40L00
Code Stem	OK42S00	OK42M00	OK42L00
Height (mm)	255	371	528
Diameter (mm)	88	88	88
Max flow (l/min)	0,75	1,5	2,55
Capacity @ (l 30mg/l NO ₃)	520	1.035	1.760
Capacity @ (l 40mg/l NO ₃)	390	775	1.320
Capacity @ (l 50mg/l NO ₃)	310	620	1.055
Filter body material	PP	PP	PP

Code	Description	€
OK40S00	Oceano filter cartridge BAYO S anti nitrates system	
OK40M00	Oceano filter cartridge BAYO M anti nitrates system	
OK40L00	Oceano filter cartridge BAYO L anti nitrates system	
OK42S00	Oceano filter cartridge STEM S anti nitrates system	
OK42M00	Oceano filter cartridge STEM M anti nitrates system	
OK42L00	Oceano filter cartridge STEM L anti nitrates system	

OK30 - SEDIMENT PP 5 μm BAYO

OK31 - SEDIMENT PP 5 μm STEM

OCEANO Sediment PP 5 μm adopts a filtration technology on special blown polypropylene (Melt Blown) in compliance with current regulations. It has a filtration degree of 5 microns and removes from water any suspended, sedimentable substances such as silt, sands, oxide flakes, and foreign bodies in general. To be used as pre-filtration in order to preserve utilities or other filters with a degree of lower filtration, from blockages and obstructions caused by suspended particles. Available in the "Bayo" and "Stem" version.

Model	S	M	L
Code Bayo	OK30S00	OK30M00	OK30L00
Code Stem	OK31S00	OK31M00	OK31L00
Eight (mm)	255	371	528
Diameter (mm)	88	88	88
Max flow (l/min)	5	8	10
Capacity (l)	14.300	31.200	46.800
Filter body material	PP	PP	PP



Code	Description	€
OK30S00	Oceano filter cartridge BAYO S Sediment PP 5 μm	
OK30M00	Oceano filter cartridge BAYO M Sediment PP 5 μm	
OK30L00	Oceano filter cartridge BAYO L Sediment PP 5 μm	
OK31S00	Oceano filter cartridge STEM S Sediment PP 5 μm	
OK31M00	Oceano filter cartridge STEM M Sediment PP 5 μm	
OK31L00	Oceano filter cartridge STEM L Sediment PP 5 μm	

OK80 - DOLOMITE ROCK FILTER BAYO

OCEANO Dolomite Rock Filter, made of calcium, magnesium mineral granulate, and filter for retaining small particles. The system mainly reduces the acidity of the water by neutralizing the CO₂ present and transforming it into salts of Calcium and Magnesium.

Model	M
Code	OK80M00
Eight (mm)	371
Diameter (mm)	88
Max flow (l/min)	5
Capacity (l)	24.000
Filter body material	PP



Code	Description	€
OK80M00	Oceano filter cartridge Rock with Dolomite	

OK50 - OMEGA PLUS - STRONG CATION BAYO

OCEANO Omega Plus uses a column of strong cationic resins for softening and is able to reduce the total hardness preventing the formation of calcareous deposits. The resins used, certified for the treatment of water intended for human consumption, comply with the most stringent international standards.

The cartridge is equipped with a rapid bayonet coupling.

Model	S	M	L
Code	OK50S00	OK50M00	OK50L00
Height (mm)	255	371	528
Diameter (mm)	88	88	88
Max flow (l/min)	0,75	1,5	2,55
Filter body material	PP	PP	PP



Model	X	XL	XXL
Code	OK50X00	OK50XL0	OK50XX0
Height (mm)	405	419	421
Diameter (mm)	140	159	196
Max flow (l/min)	4,05	6,9	9,45
Filter body material	PP + PEHD	PP + PEHD	PP + PEHD



Capacity Liters *	S	M	L	X	XL	XXL
Capacity (l 18°F)	175	350	595	940	1.600	2.190
Capacity (l 27°F)	120	235	395	625	1065	1.460
Capacity (l 36°F)	90	175	300	470	800	1.095

Capacity Cups (45cc) *	S	M	L	X	XL	XXL
Capacity (Cups 18°F)	3.890	7.780	13.230	20.890	35.560	48.670
Capacity (Cups 27°F)	2.670	5.230	8.780	13.890	23.670	32.450
Capacity (Cups 36°F)	2.000	3.890	6.670	10.450	17.780	24.340

* Capacity with discontinuous use max 0.5 liters every 5 minutes.

Code	Description	€
OK50S00	Oceano filter cartridge bayo S RA - Omega Plus	
OK50M00	Oceano filter cartridge bayo M RA - Omega Plus	
OK50L00	Oceano filter cartridge bayo L RA - Omega Plus	
OK50X00	Pressure tank filter Oceano bayo X RA - Omega Plus	
OK50XL0	Pressure tank filter Oceano bayo XL RA - Omega Plus	
OK50XX0	Pressure tank filter Oceano bayo XXL RA - Omega Plus	

OK55 - OMEGA PLUS - STRONG CATION STEM

OCEANO Omega Plus uses a column of strong cationic resins for softening and is able to reduce the total hardness preventing the formation of calcareous deposits. The resins used, certified for the treatment of water intended for human consumption, comply with the most stringent international standards.

The cartridge is equipped with In / Out connections with 10 mm Ø stems.

Model	S	M	L
Code	OK55S00	OK55M00	OK55L00
Height (mm)	255	371	528
Diameter (mm)	88	88	88
Max flow (l/min)	0,75	1,5	2,55
Filter body material	PP	PP	PP



Model	X	XL	XXL
Code	OK55X00	OK55XL0	OK55XX0
Height (mm)	405	419	421
Diameter (mm)	140	159	196
Max flow (l/min)	4,05	6,9	9,45
Filter body material	PP + PEHD	PP + PEHD	PP + PEHD



Capacity Liters *	S	M	L	X	XL	XXL
Capacity (l 18°F)	175	350	595	940	1.600	2.190
Capacity (l 27°F)	120	235	395	625	1.065	1.460
Capacity (l 36°F)	90	175	300	470	800	1.095

Capacity Cups (45cc) *	S	M	L	X	XL	XXL
Capacity (Cups 18°F)	3.890	7.780	13.230	20.890	35.560	48.670
Capacity (Cups 27°F)	2.670	5.230	8.780	13.890	23.670	32.450
Capacity (Cups 36°F)	2.000	3.890	6.670	10.450	17.780	24.340

* Capacity with discontinuous use max 0.5 liters every 5 minutes.

Code	Description	€
OK55S00	Oceano filter cartridge stem S RA - Omega Plus	
OK55M00	Oceano filter cartridge stem M RA - Omega Plus	
OK55L00	Oceano filter cartridge stem L RA - Omega Plus	
OK55X00	Pressure tank filter Oceano stem X RA - Omega Plus	
OK55XL0	Pressure tank filter Oceano stem XL RA - Omega Plus	
OK55XX0	Pressure tank filter Oceano stem XXL RA - Omega Plus	

OK60 - HYDRA ONE - WEAK CATION BAYO

OCEANO Hydra One uses a filtration technology that uses special buffered carboxylic resins capable of reducing hardness carbonate without changing the pH level. The resins used, certified for the treatment of water intended for human consumption, comply with the most stringent international standards.

The cartridge is equipped with a rapid bayonet coupling.

Model	S	M	L
Code	OK60S00	OK60M00	OK60L00
Height (mm)	255	371	528
Diameter (mm)	88	88	88
Max flow (l/min)	0,75	1,5	2,55
Filter body material	PP	PP	PP



Model	X	XL	XXL
Code	OK60X00	OK60XL0	OK60XX0
Height (mm)	405	419	421
Diameter (mm)	140	159	196
Max flow (l/min)	4,05	6,9	9,45
Filter body material	PP + PEHD	PP + PEHD	PP + PEHD



Capacity Liters *	S	M	L	X	XL	XXL
Capacity (l 18°F)	575	1.150	1.950	3.100	5.280	7.230
Capacity (l 27°F)	385	765	1.300	2.065	3.520	4.820
Capacity (l 36°F)	290	575	975	1.550	2.640	3.615

Capacity Cups (45cc) *	S	M	L	X	XL	XXL
Capacity (Cups 18°F)	12.800	25.600	43.350	68.900	117.350	160.700
Capacity (Cups 27°F)	8.600	17.000	28.900	45.900	78.250	107.150
Capacity (Cups 36°F)	6.450	12.800	21.700	34.450	58.700	80.350

* Capacity with discontinuous use max 0.5 liters every 5 minutes.

Code	Description	€
OK60S00	Oceano filter cartridge bayo S RA - Hydra One	
OK60M00	Oceano filter cartridge bayo M RA - Hydra One	
OK60L00	Oceano filter cartridge bayo L RA - Hydra One	
OK60X00	Pressure tank filter Oceano bayo X RA - 5x13 Hydra One	
OK60XL0	Pressure tank filter Oceano bayo XL RA - 6x13 Hydra One	
OK60XX0	Pressure tank filter Oceano bayo XXL RA - 7x13 Hydra One	

OK65 - HYDRA ONE - WEAK CATION STEM

OCEANO Hydra One uses a filtration technology that uses special buffered carboxylic resins capable of reducing hardness carbonate without changing the pH level. The resins used, certified for the treatment of water intended for human consumption, comply with the most stringent international standards.

The cartridge is equipped with In / Out connections with 10 mm Ø stems.

Model	S	M	L
Code	OK65S00	OK65M00	OK65L00
Height (mm)	255	371	528
Diameter (mm)	88	88	88
Max flow (l/min)	0,75	1,5	2,55
Filter body material	PP	PP	PP



Model	X	XL	XXL
Code	OK65X00	OK65XL0	OK65XX0
Height (mm)	405	419	421
Diameter (mm)	140	159	196
Max flow (l/min)	4,05	6,9	9,45
Filter body material	PP + PEHD	PP + PEHD	PP + PEHD



Capacity Liters *	S	M	L	X	XL	XXL
Capacity (l 18°F)	575	1.150	1.950	3.100	5.280	7.230
Capacity (l 27°F)	385	765	1.300	2.065	3.520	4.820
Capacity (l 36°F)	290	575	975	1.550	2.640	3.615

Capacity Cups (45cc) *	S	M	L	X	XL	XXL
Capacity (Cups 18°F)	12.800	25.600	43.350	68.900	117.350	160.700
Capacity (Cups 27°F)	8.600	17.000	28.900	45.900	78.250	107.150
Capacity (Cups 36°F)	6.450	12.800	21.700	34.450	58.700	80.350

* Capacity with discontinuous use max 0.5 liters every 5 minutes.

Code	Description	€
OK65S00	Oceano filter cartridge stem S RA - Hydra One	
OK65M00	Oceano filter cartridge stem M RA - Hydra One	
OK65L00	Oceano filter cartridge stem L RA - Hydra One	
OK65X00	Pressure tank filter Oceano stem X RA - 5x13 Hydra One	
OK65XL0	Pressure tank filter Oceano stem XL RA - 6x13 Hydra One	
OK65XX0	Pressure tank filter Oceano bayo XXL RA - 7x13 Hydra One	

OK70 - HYDRA DS - WEAK CATION + CARBON BAYO

OCEANO OCEANO Hydra DS adopts a filtration technology that combines special buffered carboxylic resins able to reduce hardness carbonate without changing the pH level and silver-plated activated carbon in granular or sintered form. The dual power supply (S, M and L versions only), managed by an internal fixed-setting by-pass (15%), is capable of feeding both resins and activated carbon at the same time, with a consequent increase the autonomy of the appliance and a controlled and not excessive reduction of water hardness. The cartridge is equipped with a rapid bayonet coupling.

The S / M / L versions are composed of buffered carboxylic resins + GAC granular active carbon while the X / XL / XXL versions are composed of buffered carboxylic resins + 0.5µm carbon block.

Model	S	M	L
Code	OK70S00	OK70M00	OK70L00
Height (mm)	255	371	528
Diameter (mm)	88	88	88
Max flow (l/min)	0,7	1,35	2,3
Filter body material	PP	PP	PP



Model	X	XL	XXL
Code	OK70X00	OK70XL0	OK70XX0
Height (mm)	405	419	421
Diameter (mm)	140	159	196
Max flow (l/min)	4,05	6,9	9,45
Filter body material	PP + PEHD	PP + PEHD	PP + PEHD



Capacity Liters *	S	M	L	X	XL	XXL
Capacity (l 18°F)	675	1.215	2.065	3.640	6.205	8.495
Capacity (l 27°F)	450	810	1.375	2.430	4.135	5.665
Capacity (l 36°F)	340	610	1.035	1.820	3.105	4.250

Capacity Cups (45cc) *	S	M	L	X	XL	XXL
Capacity (Cups 18°F)	15.000	27.000	45.900	80.900	137.900	188.800
Capacity (Cups 27°F)	10.000	18.000	30.600	54.000	91.900	125.900
Capacity (Cups 36°F)	7.600	13.600	23.000	40.450	69.000	94.450

* Capacity with discontinuous use max 0.5 liters every 5 minutes.

Code	Description	€
OK70S00	Oceano filter cartridge bayo S RA - Hydra DS	
OK70M00	Oceano filter cartridge bayo M RA - Hydra DS	
OK70L00	Oceano filter cartridge bayo L RA - Hydra DS	
OK70X00	Pressure tank filter Oceano bayo X RA - 5x13 Hydra DS	
OK70XL0	Pressure tank filter Oceano bayo XL RA - 6x13 Hydra DS	
OK70XX0	Pressure tank filter Oceano bayo XXL RA - 7x13 Hydra DS	

OK75 - HYDRA DS - WEAK CATION + CARBON STEM

OCEANO Hydra DS adopts a filtration technology that combines special buffered carboxylic resins able to reduce hardness carbonate without changing the pH level and silver-plated activated carbon in granular or sintered form. The dual power supply (S, M and L versions only), managed by an internal fixed-setting by-pass (15%), is capable of feeding both resins and activated carbon at the same time, with a consequent increase the autonomy of the appliance and a controlled and not excessive reduction of water hardness. The cartridge is equipped with In / Out connections with 10 mm Ø stems.

The S / M / L versions are composed of buffered carboxylic resins + GAC granular active carbon while the X / XL / XXL versions are composed of buffered carboxylic resins + 0.5µm carbon block.

Model	S	M	L
Code	OK75S00	OK75M00	OK75L00
Height (mm)	255	371	528
Diameter (mm)	88	88	88
Max flow (l/min)	0,7	1,35	2,3
Filter body material	PP	PP	PP



Model	X	XL	XXL
Code	OK75X00	OK75XL0	OK75XX0
Height (mm)	405	419	421
Diameter (mm)	140	159	196
Max flow (l/min)	4,05	6,9	9,45
Filter body material	PP + PEHD	PP + PEHD	PP + PEHD



Capacity Liters *	S	M	L	X	XL	XXL
Capacity (l 18°F)	675	1.215	2.065	3.640	6.205	8.495
Capacity (l 27°F)	450	810	1.375	2.430	4.135	5.665
Capacity (l 36°F)	340	610	1.035	1.820	3.105	4.250

Capacity Cups (45cc) *	S	M	L	X	XL	XXL
Capacity (Cups 18°F)	15.000	27.000	45.900	80.900	137.900	188.800
Capacity (Cups 27°F)	10.000	18.000	30.600	54.000	91.900	125.900
Capacity (Cups 36°F)	7.600	13.600	23.000	40.450	69.000	94.450

* Capacity with discontinuous use max 0.5 liters every 5 minutes.

Code	Description	€
OK75S00	Oceano filter cartridge stem S RA - Hydra DS	
OK75M00	Oceano filter cartridge stem M RA - Hydra DS	
OK75L00	Oceano filter cartridge stem L RA - Hydra DS	
OK75X00	Pressure tank filter Oceano stem X RA - 5x13 Hydra DS	
OK75XL0	Pressure tank filter Oceano stem XL RA - 6x13 Hydra DS	
OK75XX0	Pressure tank filter Oceano stem XXL RA - 7x13 Hydra DS	

OK76 - HYDRA DS MIX

OCEANO Hydra mix adopts a filtration technology that uses special carboxylic resins able to reduce the carbonate hardness, combined with silver-plated activated carbon in sintered form. The dual power supply of the OCEANO range, managed by an adjustable by-pass (approx. 0-40%), is capable of simultaneously feeding, in an adjustable percentage, both the resins and the activated carbon with the consequent increase in the autonomy of the appliance and a controlled and not excessive reduction of water hardness. The cartridge is equipped with a non-return valve and in / out connections with 10 mm Ø stems.

Type	S	M	L
Code	OK76S00	OK76M00	OK76L00
Height (mm)	240	356	513
Diameter (mm)	88	88	88
Max flow (l/min)	0,75	1,35	2,1
Filter body material	PP	PP	PP

Capacity Liters *	S	M	L
Capacity (l 18°F) mix 40% pos. 3	955	1715	2665
Capacity (l 27°F) mix 30% pos. 2	545	980	1525
Capacity (l 36°F) mix 20% pos. 1	360	645	1000

Capacity Cups (45cc) *	S	M	L
Capacity (Cups 18°F) mix 40% pos. 3	21.250	38.150	59.250
Capacity (Cups 27°F) mix 30% pos. 2	12.150	21.800	33.900
Capacity (Cups 36°F) mix 20% pos. 1	8.000	14.350	22.250

Capacity Liters *	S	M	L
Capacity steam (l 18°F) mix 0% pos. 0	575	1.030	1.600
Capacity steam (l 27°F) mix 0% pos. 0	385	685	1.065
Capacity steam (l 36°F) mix 0% pos. 0	290	515	800



* Capacity with discontinuous use max 0.5 liters every 5 minutes.

Code	Description	€
OK76S00	Oceano filter cartridge stem S RA - Hydra DS MIX	
OK76M00	Oceano filter cartridge stem M RA - Hydra DS MIX	
OK76L00	Oceano filter cartridge stem L RA - Hydra DS MIX	

OPENING FILTER FOR SANITIZATION

OCEANO Sanitization is the openable filter for sanitizing equipment

Code	Description	€
------	-------------	---

OKS0100	Empty cartridge Oceano bayo S openable for sanitizer	
---------	--	--

OK09N00	Empty cartridge Oceano MINI openable for sanitizer	
---------	--	--



FILTER HEAD

Code	Description	€
------	-------------	---

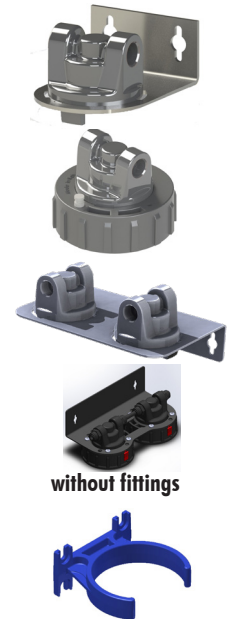
OKT1000	Filter Head Oceano 3/8" with bracket/screws	
---------	---	--

OKT1500	Filter Head Oceano 3/8" with Collar/bracket/screws	
---------	--	--

OKT2000	Filter Head Oceano Double 3/8" with bracket/screws	
---------	--	--

OKT2500	Filter Head Oceano Double 3/8" with collar/bracket/screws	
---------	---	--

OKT0010	Blu plastic bracket for Oceano	
---------	--------------------------------	--



DRINKIT

Drinking water treatment kit

- Small cartridge
- Head with bracket and ring nut
- Digiflow 8000T-L counter
- Swan neck faucet
- 3/8" water connection
- 8mm pipes and fittings



Code	Description	€
------	-------------	---

OKKIT10S	OK10S Ocean filtration kit- Sintered Carbon Block AG 0.3 μm - complete with installation kit	
----------	---	--

OKKIT16S	OK16S Ocean filtration kit - Sintered Carbon Block AG 0.5 μm - complete with installation kit	
----------	--	--

OKKIT25S	OK25S Ocean filtration kit - Sintered Carbon Block AG 0.5 μm + UF membrane 0.1 μm - complete with installation kit	
----------	--	--

OKKIT35S	OK35S Ocean filtration kit - Precoat 0.5 μm - complete with installation kit	
----------	---	--

OKKIT36S	OK36S Ocean filtration kit - Precoat AG 0.5 μm - complete with installation kit	
----------	--	--

SOFTENERS FOR OCS

SUCTION SOFTENERS

Code	Model	H	Diameter	Resin	€
FI1032/4	Teo 45	98	41	Strong cationic	
FI0420/2	Teo 70	158	39,5	Strong cationic	
FI1431	Teo 90	98	43,5	Carboxylic buffered	
FI1420/1	Teo 150	158	39,5	Carboxylic buffered	



PRESSURE SOFTENERS

Code	Model	H	Diameter	Resin	Autonomy	€
FI0829	TeoK	132,5	41	Strong cationic	45	
FI1603	Shark Filter	135,5	41	Carboxylic buffered	180	



SOFTENER BAG

Code	Model	H	L	Autonomy	Resin	€
SA1507	Soft 60	90	100	100	Buffered strong mix	
SA1508	Soft 60 boxed	90	100	100	Buffered strong mix	
SA1509	Soft 90	90	115	225	Buffered strong mix	
SA1510	Soft 90 boxed	90	115	225	Buffered strong mix	
SA1515	Soft 150	90	165	410	Buffered strong mix	
SA1530	Soft 300	90	235	820	Buffered strong mix	



Soft



Soft boxed

OCEANO FILTERS FOR REFRIGERATORS

MAYTAG KENMORE 46-9006 / UKF8001* MOD. N° AQF-111MT

OCEANO Maytag Kenmore is suitable for refrigerators KENMORE, AMANA, MAYTAG, JENN-AIR, WHIRLPOOL, and Kitchen Aid with a filter located on the upper side of the refrigerator. Materials and components are tested and certified WQA Gold Seal against NSF/ANSI Standard 42 and Standard 53 for the removal of below substances according to Standard 42 and 53.

This filter does not remove fluoride.

- 99.99% Asbestos
- 76.99% Atrazine
- 97.26% Chlorine taste and smell
- 99.99% Cyst
- 99.35% Lead
- 98.72% Lindane
- 98.72% Mercury
- 98.68% Particulate
- 92.97% Toxaphene
- 97.09% Turbidity

OPERATING CONDITIONS
 Capacity 1.150 liters (300 gallons)
 Temperature 1-38°C (34-100°F)
 Flow 0.5 GPM (1.9 LPM)
 Pressure 30-125 PSI (207-862 kPa)

Tested and certified by WQA
 against NSF/ANSI 42&53



Code	Description	€
OK9010	OCEANO filter for refrigerators Maytag Kenmore	

SAMSUNG DA-97-08006A-B HAF-CIN/EXP

OCEANO Samsung is suitable for refrigerators SAMSUNG model DA-97-08006A-B HAF-CIN/EXP, French door and Side by side.

Materials and components are tested and certified WQA Gold Seal against NSF/ANSI Standard 42 and Standard 53 for the removal of below substances according to Standard 42 and 53.

This filter does not remove fluoride.

- 99.00% Asbestos
- 94.60% Atrazine
- 96.70% Benzene
- 97.40% Chlorine taste and smell
- 99.99% Cyst
- 99.30% Lead ph 6.5
- 99.30% Lead ph 8.5
- 99.00% Lindane
- 98.00% Particulate
- 99.10% Turbidity

OPERATING CONDITIONS
 Capacity 1.150 liters (300 gallons)
 Temperature 1-38°C (34-100°F)
 Flow 0.5 GPM (1.9 LPM)
 Pressure 30-125 PSI (207-862 kPa)

Tested and certified by WQA
 against NSF/ANSI 42&53



Code	Description	€
OK9020	OCEANO filter for refrigerator Samsung	

WHIRLPOOL 4396508 / KENMORE 46-9010 , 46-9902 & 46-9908*

OCEANO Whirlpool Kenmore is suitable for refrigerators WHIRLPOOL, 4396508 / KENMORE 46-9010 , 46-9902, 46-9908*.

Materials and components are tested and certified WQA Gold Seal against NSF/ANSI Standard 42 and Standard 53 for the removal of below substances according to Standard 42 and 53. This filter does not remove fluoride.

98.00% Dichlorophenoxyacetic acid
 99.00% Asbestos
 94.00% Atrazine
 96.00% Benzene
 98.00% Carbofuran
 96.00% Chlorine taste and smell
 99.99% Cyst
 99.00% Lead
 99.00% Lindane
 93.00% Mercury
 99.00% Diclorobenzene
 99.10% Particulate
 94.00% Pharmacological substances
 93.00% Toxaphene
 98.00% Turbidity

OPERATING CONDITIONS
 Capacity 1.150 liters (300 gallons)
 Temperature 1-38°C (34-100°F)
 Flow 0.5 GPM (1.9 LPM)
 Pressure 30-125 PSI (207-862 kPa)

Tested and certified by WQA against NSF/ANSI 42&53



Code	Description	€
OK9030	OCEANO filter for refrigerator Whirlpool Kenmore	

LG LT500P / KENMORE* 46-9890 WF290

OCEANO LG Kenmore is suitable for refrigerators LG LT500P / KENMORE 46-9890 WF290. Materials and components are tested and certified WQA Gold Seal against NSF/ANSI Standard 42 and Standard 53 for the removal of below substances according to Standard 42 and 53.

This filter does not remove fluoride

98.00% Dichlorophenoxyacetic acid
 99.00% Alachlor
 99.00% Asbestos
 94.00% Atrazine
 96.00% Benzene
 98.00% Carbofuran
 96.00% Chlorine taste and smell
 99.99% Cyst
 99.00% Lead
 99.00% Lindane

OPERATING CONDITIONS
 Capacity 1.150 liters (300 gallons)
 Temperature 1-38°C (34-100°F)
 Flow 0.5 GPM (1.9 LPM)
 Pressure 30-125 PSI (207-862 kPa)

Tested and certified by WQA against NSF/ANSI 42&53



Code	Description	€
OK9040	OCEANO filter for refrigerator Kenmore	

INLINE FILTERS

TRASPARENT FULL KIT

Code	Description	€
OI023030	Inline filter Ø 63 Length 12" connections 1/4" Female transparent with Carbon block Ag 0,3 µm cartridge	
OI023130	Inline filter Ø 63 Length 12" connections 1/4" Female transparent with Carbon block extruded 5 µm cartridge	
OI023230	Inline filter Ø 63 Length 12" connections 1/4" Female transparent with PP Melt Blown 5 µm cartridge	
OI023038	Inline post filter rechargeable with remineralizing neutralizing media	



WHITE FULL KIT

Code	Description	€
OI023032	Inline filter Ø 63 white Length 12" connections 1/4" Female with Carbon block Ag 0,3 µm cartridge	
OI023132	Inline filter Ø 63 white Length 12" connections 1/4" Female with Carbon block extruded 5 µm cartridge	
OI023232	Inline filter Ø 63 white Length 12" connections 1/4" Female with PP Melt Blown 5 µm cartridge	



REPLACEMENT CARTRIDGES

Code	Description	€
CA90180	Cartridge Carbon Block Ag 0,3 µm Ø 50 thread connection 1/4" male	
PP90180	Cartridge PP Melt Blown 5 µm Ø 50 thread connection 1/4" male	
CX90180	Cartridge Extruded Carbon Block 5 µm Ø 50 thread connection 1/4" male	



HOUSING

Code	Description	€
OI023022	Empty housing in plastic AS transparent Ø 50 Length 10" connections 1/4" Female	
OI023024	Empty housing in plastic PP white Ø 50 Length 10" connections 1/4" Female	
OI023026	Empty housing in plastic AS transparent Ø 63 Length 12" connections 1/4" Female for inline cartridge Ø 50	
OI023028	Empty housing in plastic PP white Ø 63 Length 12" connections 1/4" Female for inline cartridge Ø 50	



SERIES UV 500

The purifying and anti bacterial filters CARBOSTERIL and HYDROSTERIL can be installed under the kitchen sink and are equipped with a dispensing tap to be connected on the kitchen counter. The purification is achieved through a special cartridge with active carbon impregnated with bacteriostatic filter, pressed and sinterized with a 0.3 micron (antibacterial) filtration degree, while the bacteria are eliminated thanks to the UV sterilizer.

The efficiency of the treatment is guaranteed by an acoustic alarm that sends the user a warning in case of malfunctions.

UV 501

Technical features:

- Max operating pressure 7 bar
- Duration of UV lamp 7.000 h
- Voltage 220 V - 50 Hz
- In/Out connection 1/4"

The purifying antibacterial filter UV501 includes:

- 8 W Complete UV sterilizer with 8W bactericidal lamp
- nr.1 Housing for CP cartridge 1/4"
- nr.1 Filter cartridge CARBON BLOCK AG 0,3 μm CAB
- nr.1 Automatic shut off flow meter Waterminder (only in CA91090)
- nr.1 Standard brass-plated tap for counter top dispensing
- Fittings and tubing Ø 6 for installation



Code	Description	Pcs per box	€
CA91090	Under sink antibacterial water purifier UV501 CARBOSTERIL with water meter and UV sterilizer	1	
CA91092	Under sink antibacterial water purifier UV501 CARBOSTERIL with UV sterilizer without water meter	1	

Code	Connections	Cartridge length	L (mm)	H (mm)	Flow (l/h)
CA91090	1/4"	9" 3/4	123,00	358,00	200,00
CA91092	1/4"	9" 3/4	123,00	358,00	200,00

UV 502

Technical features:

- Max operating pressure 8 bar
- Min/max operating temperature: 0°C /30°C
- Thread connections 1/4"
- Filter head and bracket in polypropilene
- Algae inhibitor opaque housing
- 11W Germicidal lamp
- Treatment chamber AISI 316



The purifying antibacterial filter UV501 includes:

- nr.1 Complete UV sterilizer with 8W bactericidal lamp
- nr.2 Housing for CP cartridge 1/4"
- nr.1 Filter cartridge Melt blown 10 PP 5
- nr.1 CAB Filter cartridge ON BLOCK AG 0,3 µm CAB
- nr.1 Automatic shut off flow meter Waterminder (only in CA92090)
- nr.1 Standard brass-plated tap for counter top dispensing
- Fittings and tubing Ø 6 for installation

Code	Description	Pcs per box	€
CA92090	UV502 CARBOSTERIL under counter purifying anti-bacterial with UV lamp and automatic shut off meter	1	
CA92092	UV502 HYDROSTERIL under counter purifying anti-bacterial system with UV lamp, without automatic shut off meter	1	

Code	Connections	Cartridge length	L (mm)	H (mm)	Flow (l/h)
CA91090	1/4"	9" 3/4	276	358	200
CA91092	1/4"	9" 3/4	276	358	200

UV LED 2

Technical features:

- Max operating pressure 8 bar
- Min/max operating temperature: 0°C /30°C
- Filter head and bracket in polypropilene
- Algae inhibitor opaque housing
- Bactericidal action insured by a UV LED with a 15.000 hours life span



The purifying antibacterial filter UV LED 2 includes:

- nr.1 Sterilizer UV HI POWER Led
- nr.2 Housing for CP cartridge 1/4"
- nr.1 Filter cartridge Melt blown 10 PP 5
- nr.1 Filter cartridge ON BLOCK AG 0,3 µm CAB
- nr.1 Automatic shut off flow meter Waterminder (only in CA93090)
- nr.1 Standard brass-plated tap for counter top dispensing
- Fittings and tubing Ø 6 for installation

Code	Description	Pcs per box	€
CA93090	UV LED 2 CARBOSTERIL under counter anti-bacterial purifier with UV LED sterilizer and automatic shut off flow meter	1	
CA93092	UV LED 2 HYDROSTERIL under counter anti-bacterial purifier with UV LED sterilizer	1	

Code	Connections	Cartridge length	L (mm)	H (mm)	Flow (l/h)
CA93090	1/4"	9" 3/4	270,00	310,00	120,00
CA93092	1/4"	9" 3/4	270,00	310,00	120,00

UV 501 & UV 502 SPARE PARTS

Code	Description	€
324200001	Replacement quartz tube for UV501/502	
CA90140	CARBON BLOCK AG CAB60.09 0,3 µm cartridge with silver	
PP100124	HIGH PURE 10 PP 5, 10" - 5 µm cartridge	

2. INLINE ULTRAFILTRATION

UF LENGTH 6"

Inline ultrafiltration cartridge/membrane

- Technical features:
- Membrane material: polysulfone
- Filtration: finer than 0.04 μm
- Water flow: 50 l/min. per m² 50 l/m per m²
- Pressure: 0,5 – 4 bar
- Ultrafiltration flow rate: 8 l/min c.ca a 2,5 bar 8 l/min at 2.5 bar



Code	Description	€
OI023034	Inline ultrafiltration system stem connection 1/4"	

ULTRAFILTRAZIONE SSU



Code	Description	€
OI023052	Single stage ultrafiltration M03501 SSU 28	
OI023053	Single stage ultrafiltration M90016 SSU DOME	

Code	Max inlet press (bar)	Max inlet temp.	Internal filtering surface (m ²)	Material	Flow (l/min)	Connections
OI023052	6	50°C	2,8	Polysulfone	18,0	1/2"
OI023053	6	50°C	1,0	Polysulfone	9,0	1/2"

3. FLOW METERS

DIGIFLOW 6000R-L

The DigiFlow 6000R is a flow totalizer with LCD display. It can display accumulated volume up to 99999 liters and it can monitor up to 5 filters simultaneously. In/ out 3/8" NPT. The LCD of the DigiFlow 6000R blinks and generates an audible alert when the monitoring volume capacity of the specific filter reaches the end. It must be installed after the filter because it is sensitive to coarse particles in the water. No external power needed. The DigiFlow 6000R is operated by two AAA alkaline batteries which power lasts more than one year . The last status data will be automatically memorized when the battery power is off.



Code	Description	€
DF066L	Flow meter DigiFlow 6000R-L	

DIGIFLOW 8000T-L

Liter/Time/Flow meter DigiFlow 8000T-L is equipped with LCD display. It can monitor from 500 to 99.500 l and from 30 to 720 days. It can read instantaneous flow rate. The LCD of the DigiFlow 8000T-L blinks and generates an audible

alert when the monitoring volume capacity of the specific filter reaches the end. It must be installed after the filter because it is sensitive to coarse particles in the water. No external power needed. The DigiFlow 8000T-L is operated by two AAA alkaline batteries which power lasts more than one year . The last status data will be automatically memorized when the battery power is off.



Code	Description	€
DF086L	Time/Flow/Litres Meter Digiflow 8000t-L	

SHUT OFF METER

This unique patented system to measure the volume of water blocks automatically the flow once it reaches the set value. Ideal for application in systems for which the filter replacement is important for the correct functioning of the system or in respect of the laws regarding drinking water.

- Max capacity: 6000 l
- Working pressure: min 1 bar, max. 8,7 bar
- 1/4" thread connections



Code	Description	€
OI022038	0 - 6.000 lt Waterminder - automatic shut-off flow meter	





02



FILTRATION CARTRIDGES AND HOUSINGS

Filtration cartridges | Housings for cartridges | Self-cleaning filters

1. FILTRATION CARTRIDGES

WOUND THREAD CARTRIDGES	36
CNA CARTRIDGES	36
CNA CARTRIDGES FOR AMG P300	38
CNA CARTRIDGES FOR WATER BIG	38
CFC CARTRIDGES	39
MELT BLOWN CARTRIDGES	40
HIGH PURE SERIES	40
HIGH PURE SERIES FOR WATER BIG	40
PLEATED CARTRIDGES	41
PLEATED POLYESTER CARTRIDGES FOR WATER BIG	41
WASHABLE NET CARTRIDGES	42
WASHABLE POLYESTER NET CARTRIDGES	42
PLEATED CARTRIDGES AISI 316	43
NET CARTRIDGES AISI 316	44
NET CARTRIDGES IN AISI 304	45
EXTRUDED CARBON BLOCK CARTRIDGES	46
EXTRUDED CARBON BLOCK CARTRIDGES FOR WATER BIG	46
SINTERED CARBON BLOCK CARTRIDGES	47
SINTERED CARBON BLOCK CARTRIDGES WITH SILVER	47
ACTIVE CARBON CARTRIDGES	47
GRANULAR ACTIVATED CARBON CARTRIDGES	48
GAC CARTRIDGES	48
POLYPHOSPHATE CRYSTALS CARTRIDGES	49
RESIN CARTRIDGES	50
MIXED BED RESIN CARTRIDGES	50
ANIONIC RESIN CARTRIDGES FOR NITRATES	50
CATIONIC RESIN CARTRIDGES FOR SOFTENING	50
EMPTY CARTRIDGE	51

2. HOUSINGS FOR CARTRIDGES

AMG PLASTIC HOUSINGS	52
603 SERIES	52
602 SERIES	55
P333 SERIES	57
P332 SERIES	57
P331 SERIES	58

P900 SERIES	58
HOUSINGS WITH AMG BRASS HEAD	59
SP600 SERIES	59
SE600 SERIES	60
SX600 SERIES	61
SP MINI SERIES	62
SE MINI SERIES	62
SX MINI SERIES	63
COMBI SERIES	63
FB SERIES	64
HOUSINGS AISI 316 AMG	65
XX800 SERIES	65
ACCESSORIES AND SPARE PARTS FOR AMG HOUSINGS	66
ACCESSORIES AND SPARE PARTS FOR PLASTIC HOUSINGS	66
ACCESSORIES AND SPARE PARTS FOR PLASTIC/BRASS HOUSINGS	66
ACCESSORIES AND SPARE PARTS FOR HOUSING IN BRASS / STEEL	67
PLASTIC FILTRUM HOUSINGS	68
HOUSING 2 PIECES FILTRUM	68
ACCESSORIES FOR FILTRUM HOUSINGS	68
WATER BIG SERIES HOUSINGS	68
ACCESSORIES FOR WATER BIG HOUSINGS	68
3. SELF-CLEANING FILTERS	
TECH FILTER SERIES F2 STANDARD	69
TECH FILTER SPARE PARTS F2	70
AMG CLEANING FILTER SERIES	71
AP500 SERIES	71
AP600 SERIES	71
FILTER WITH INTEGRATED BY-PASS SYSTEM	72
BY-PASS SERIES	72
AP BY-PASS SERIES	72
SPEEDY AND PROFI SERIES	73
SPEEDY JSY SERIES	73
PROFI SERIES	74
FLANGED PROFI WITH HIGH FLOW	75

1. FILTRATION CARTRIDGES

WOUND THREAD CARTRIDGES

CNA CARTRIDGES

Cartridge for household and industrial use for the treatment of drinking and non-drinking primary waters.

Technical features

- Standard Ø ext.61mm and Ø int.28mm
- Min / max working temperature 0 ° C / 60 ° C
- Polypropylene wire according to ACS & DM 174 standards
- Polypropylene support according to ACS & DM 174 standards
- High flow rates with low pressure drops
- C.M.S. exclusive wrapping system



Height 4"

Code	Description	Flow rate (l / h)	Pcs per box	€/pcs
A0211	CNA 4" 1 µ	270	180	
A0212	CNA 4" 5 µ	350	180	
A0213	CNA 4" 10 µ	350	180	
A0210	CNA 4" 20 µ	350	180	

Height 5"

Code	Description	Flow rate (l / h)	Pcs per box	€/pcs
A0307	CNA 5" 1 µ	280	120	
A0308	CNA 5" 5 µ	350	120	
A0309	CNA 5" 10 µ	350	120	
A0306	CNA 5" 20 µ	350	120	
A0305	CNA 5" 50 µ	350	120	

Height 7"

Code	Description	Flow rate (l / h)	Pcs per box	€/pcs
A0191	CNA 7" 1 µ	580	90	
A0192	CNA 7" 5 µ	630	90	
A0193	CNA 7" 10 µ	630	90	
A0190	CNA 7" 20 µ	630	90	
A0189	CNA 7" 50 µ	630	90	

Height 9"3/4

Code	Description	Flow rate (l / h)	Pcs per box	€/pcs
A0181	CNA 9"3/4 1 µ	1150	60	
A0182	CNA 9"3/4 5 µ	1300	60	
A0183	CNA 9"3/4 10 µ	1300	60	
A0180	CNA 9"3/4 20 µ	1300	60	
A0184	CNA 9"3/4 30 µ	1300	60	
A0185	CNA 9"3/4 50 µ	1300	60	
A0186	CNA 9"3/4 100 µ	1450	60	

Height 10"

Code	Description	Flow rate (l / h)	Pcs per box	€/pcs
A0171	CNA 10" 1 μ	1150	60	
A0172	CNA 10" 5 μ	1300	60	
A0173	CNA 10" 10 μ	1300	60	
A0170	CNA 10" 20 μ	1300	60	
A0174	CNA 10" 30 μ	1300	60	
A0175	CNA 10" 50 μ	1300	60	
A0176	CNA 10" 100 μ	1450	60	

Height 20"

Code	Description	Flow rate (l / h)	Pcs per box	€/pcs
A0221	CNA 20" 1 μ	1900	30	
A0222	CNA 20" 5 μ	2200	30	
A0223	CNA 20" 10 μ	2200	30	
A0220	CNA 20" 20 μ	2200	30	
A0224	CNA 20" 30 μ	2200	30	
A0225	CNA 20" 50 μ	2200	30	
A0226	CNA 20" 100 μ	2300	30	

Height 30"

Code	Description	Flow rate (l / h)	Pcs per box	€/pcs
A0261	CNA 30" 1 μ	3100	30	
A0262	CNA 30" 5 μ	3300	30	
A0263	CNA 30" 10 μ	3300	30	
A0260	CNA 30" 20 μ	3300	30	
A0264	CNA 30" 30 μ	3300	30	
A0265	CNA 30" 50 μ	3300	30	
A0266	CNA 30" 100 μ	3500	30	

CNA CARTRIDGES FOR AMG P300

Cartridge for household and industrial use for the treatment of drinking and non-drinking primary waters

Technical features

- Standard Ø ext.50mm and Ø int.28mm
- Min / max working temperature 0 ° C / 60 ° C
- Polypropylene wire according to ACS & DM 174 standards
- Polypropylene support according to ACS & DM 174 standards
- High flow rates with low pressure drops
- C.M.S. exclusive wrapping system



Code	Description	Micron	Flow rate (l / h)	Pcs per box	€/pcs
OCFA05001R	FA 5" MINI 1 µ	1	280	48	
OCFA05005R	FA 5" MINI 5 µ	5	350	48	
OCFA05010R	FA 5" MINI 10 µ	10	350	48	
OCFA05025R	FA 5" MINI 25 µ	25	350	48	
OCFA05050R	FA 5" MINI 50 µ	50	350	48	

CNA CARTRIDGES FOR WATER BIG

Cartridge for civil and industrial use for the treatment of drinking and non-drinking primary waters.

Technical features

- Standard Ø ext.100mm and Ø int.28mm
- Min / max working temperature 0 ° C / 60 ° C
- Polypropylene wire according to ACS & DM 174 standards
- Polypropylene support according to ACS & DM 174 standards
- High flow rates with low pressure drops
- C.M.S. exclusive wrapping system



Code	Description	Height	Micron	Pcs per box	€/pcs
PAWB100024	9 PAWB 5	9"¾	5	12	
PAWB100034	9 PAWB 25	9"¾	25	12	
PAWB100026	20 PAWB 5	20"	5	9	
PAWB100036	20 PAWB 25	20"	25	9	

CFC CARTRIDGES

Cartridge for technological and industrial use for sediment filtration, with granular activated carbon for a double filtration with removal of unpleasant odors and flavors from water.

Technical features

- Standard Ø ext.70mm and Ø int.50 mm
- Min / max working temperature 0 ° C / 60 ° C
- Polypropylene wire according to ACS & DM 174 standards
- Polypropylene support according to ACS & DM 174 standards
- Combined filtration and adsorption action
- Rubber seals according to ACS & DM 174 standards



Code	Description	Micron	Flow rate (l / h)	Pcs per box	€/pcs
A0351	CFC 4" 5 μ	5	200	60	
A0350	CFC 4" 10 μ	10	200	60	
A0352	CFC 4" 20 μ	20	200	60	
A0341	CFC 5" 5 μ	5	240	60	
A0340	CFC 5" 10 μ	10	240	60	
A0342	CFC 5" 20 μ	20	240	60	
A0331	CFC 7" 5 μ	5	360	48	
A0330	CFC 7" 10 μ	10	360	48	
A0332	CFC 7" 20 μ	20	360	48	
A0321	CFC 9"¾ 5 μ	5	420	30	
A0320	CFC 9"¾ 10 μ	10	420	30	
A0322	CFC 9"¾ 20 μ	20	420	30	
A0311	CFC 10" 5 μ	5	420	30	
A0310	CFC 10" 10 μ	10	420	30	
A0312	CFC 10" 20 μ	20	420	30	

MELT BLOWN CARTRIDGES

HIGH PURE SERIES

Cartridge for technological and industrial use for treatments where is required guarantee of purity of the filtrate considerable.

Technical features

- Standard Ø ext.63mm and Ø int.28mm
- Min / max working temperature 0 ° C / 60 ° C
- Polypropylene according to ACS & DM 174 standards
- High flow rates with low pressure drops
- Unique construction system without support core
- Exceptional particle retention with constant filtrate quality



Code	Description	Height	Micron	Pcs per box	€/pcs
PP100004	5 PP 5 µ	5"	5	100	
PP100015	7 PP 5 µ	7"	5	50	
PP100104	10 PP 1 µ	10"	1	50	
PP100124	10 PP 5 µ	10"	5	50	
PP100134	10 PP 10 µ	10"	10	50	
PP100144	10 PP 20 µ	10"	20	50	
PP100154	10 PP 50 µ	10"	50	50	
PP100204	20 PP 1 µ	20"	1	25	
PP100224	20 PP 5 µ	20"	5	25	
PP100234	20 PP 10 µ	20"	10	25	
PP100244	20 PP 20 µ	20"	20	25	
PP100254	20 PP 50 µ	20"	50	25	
PP100704	30 PP 1 µ	30"	1	25	
PP100724	30 PP 5 µ	30"	5	25	
PP100734	30 PP 10 µ	30"	10	25	
PP100744	30 PP 20 µ	30"	20	25	
PP100754	30 PP 50 µ	30"	50	25	
PP100824	40 PP 5 µ	40"	5	25	
PP100844	40 PP 20 µ	40"	20	25	

HIGH PURE SERIES FOR WATER BIG

Cartridge for technological and industrial use for treatments where is required guarantee of purity of the filtrate and that fear the migration of fibers.

Technical features

- Standard Ø ext.100mm and Ø int.28mm
- Min / max working temperature 0 ° C / 60 ° C
- Polypropylene according to ACS & DM 174 standards
- High flow rates with low pressure drops
- Unique construction system without support core
- Exceptional particle retention with constant filtrate quality



Code	Description	Height	Micron	Pcs per box	€/pcs
PP100304	10 WB PP 1	10"	1	25	
PP100324	10 WB PP 5	10"	5	25	
PP100344	10 WB PP 20	10"	20	25	
PP100404	20 WB PP 1	20"	1	25	
PP100424	20 WB PP 5	20"	5	25	
PP100444	20 WB PP 20	20"	20	25	

PLEATED CARTRIDGES

PLEATED POLYESTER CARTRIDGE FOR WATER BIG

Cartridge in synthetic pleated material for industrial uses and for filtration of liquids in general.

Technical features

- Standard Ø ext.100mm and Ø int.28mm
- Min / max working temperature 0 ° C / 60 ° C
- Polypropylene support according to ACS & DM 174 standards
- Pleated polyester filtering septum
- Mechanical surface filtration
- Type of maintenance: washable



Code	Description	Height	Micron	Pcs per box	€/pcs
PLWB100024	9 PL WB 5 μ	248	5	12	
PLWB100034	9 PL WB 25 μ	248	25	12	
PLWB100026	20 PL WB 5 μ	508	5	9	
PLWB100036	20 PL WB 25 μ	508	25	9	

WASHABLE NET CARTRIDGES

WASHABLE POLYESTER NET CARTRIDGES

Cartridge for household and industrial use with Polyester net.

GT

Technical features

- Standard: Ø ext. 60mm Ø int. 27.5mm
- Min / max working temperature 0 ° C / 60 ° C
- Washable polyester net
- Polypropylene support

Code	Description	Ø (mm)	Height (mm)	Micron	Pcs per box	€/pcs
0CGMMI050	GT MINI 50 µ	50	127	50	198	
0CGT04060	GT 4" 60 µ	60	102	60	60-120	
0CGT04150	GT 4" 150 µ	60	102	150	60-120	
0CGT05060	GT 5" 60 µ	60	127	60	48-96	
0CGT05150	GT 5" 150 µ	60	127	150	48-96	
0CGT07060	GT 7" 60 µ	60	178	60	24-72	
0CGT07150	GT 7" 150 µ	60	178	150	24-72	
0CGT09060	GT 9" ¾ 60 µ	60	248	60	24-48	
0CGT09150	GT 9" ¾ 150 µ	60	248	150	24-48	
0CGT19060	GTL 19" 60 µ	60	478	60	24	
0CGT19150	GTL 19" 150 µ	60	478	150	24	
0CGT20060	GTL 20" 60 µ	60	508	60	24	
0CGT20150	GTL 20" 150 µ	60	508	150	24	
0CGT30060	GTL 30" 60 µ	60	762	60	30	
0CGT30150	GTL 30" 150 µ	60	762	150	30	



GTS

Technical features

- Standard: Ø ext. 60mm Ø int. 50mm
- Washable polyester net
- Min / max. operating temperature 0 ° C / 60 ° C
- Polypropylene support
- For 1"1/4, 1"1/2, 2" housing

Code	Description	Ø (mm)	Height (mm)	Micron	Pcs per box	€/pcs
0CGS05150	GTS 5" 150 µ	60	127	150	48-96	
0CGS07150	GTS 7" 60 µ	60	178	60	24-72	
0CGS10060	GTS 9" ¾ 60 µ	60	248	60	24-48	
0CGS10150	GTS 9" ¾ 150 µ	60	248	150	24-48	
0CGS19060	GTS 19" 60 µ	60	494	60	24	
0CGS20060	GTS 20" 60 µ	60	515	60	24	
0CGS20150	GTS 20" 150 µ	60	515	150	24	



GT/AP - GTS/AP

Technical features

- Standard: Ø ext. 60mm Ø int. 27.5mm
- Washable polyester net
- Min / max. operating temperature 0 ° C / 60 ° C
- Polypropylene support
- For 1/2 ", 3/4", 1 " housing

Code	Description	Ø (mm)	Height (mm)	Micron	Pcs per box	€/pcs
OCGP09060	GT/AP 9" ³ / ₄ 60 µ	60	256	60	198	
OCGP10060	GTS/AP 9" ³ / ₄ 60µ	60	248	60	60-120	
OCGP09150	GT/AP 9" ³ / ₄ 150 µ	60	256	150	60-120	
OCGP20060	GT/AP 19" 60 µ	60	488	60	48-96	
OCGP19060	GTS/AP 19" 60 µ	60	494	60	48-96	
OCGP20150	GT/AP 19" 150 µ	60	488	150	24-72	



PLEATED CARTRIDGES AISI 316

Pleated AISI 316 cartridge for industrial uses, in critical applications, as in treatment of corrosive fluids or in processes involving high temperatures.

Technical features

- Standard Ø ext.60mm and Ø int.28mm
- Min / max. operating temperature 0 ° C / 90 ° C
- Mechanical surface filtration
- Type of maintenance: washable

Code	Description	Height (mm)	Micron	Pcs per box	€/pcs
OCXPMI060	MINI XP 60 µ	122	60	28	
OCXP05060	XP 5" 60 µ	127	60	15 - 30	
OCXP07060	XP 7" 60 µ	178	60	15	
OCXP09060	XP 9" ³ / ₄ 60 µ	248	60	15 - 35	
OCXP20060	XP 20" 60 µ	508	60	1	



NET CARTRIDGES AISI 316

Cartridge in AISI 316 for industrial uses, in critical applications, as in the treatment of corrosive fluids or in processes involving high temperatures.

GTX series

Technical features

- Standard: Ø ext. 60mm Ø int. 27.5mm
- Stainless steel net
- Min / max. operating temperature 0° C / 60 ° C
- Support and caps in polypropylene
- Resistant to cleaning

Code	Description	Ø (mm)	Height (mm)	Micron	Pcs per box	€/pcs
0CGX05030	GTX 5" 30 µ	60	127	30	48 - 60	
0CGX05060	GTX 5" 60 µ	60	127	60	48 - 60	
0CGX05150	GTX 5" 150 µ	60	127	150	48 - 60	
0CGX07030	GTX 7" 30 µ	60	178	30	24 - 72	
0CGX07060	GTX 7" 60 µ	60	178	60	24 - 72	
0CGX07150	GTX 7" 150 µ	60	178	150	24 - 72	
0CGX09030	GTX 9" ¾ 30 µ	60	248	30	24 - 48	
0CGX09060	GTX 9" ¾ 60 µ	60	248	60	24 - 48	
0CGX09150	GTX 9" ¾ 150 µ	60	248	150	24 - 48	
0CGX09500	GTX 9" ¾ 500 µ	60	248	500	24 - 48	
0CGX20030	GTX 20" 30 µ	60	508	30	24	
0CGX20060	GTX 20" 60 µ	60	508	60	24	
0CGX20150	GTX 20" 150 µ	60	508	150	24	
0CGX20500	GTX 20" 500 µ	60	508	500	24	



X series

Technical features

- Mechanical filtration on the surface
- Smooth 316 stainless steel
- Min / max. operating temperature 0° C / 90 ° C
- For 1/2", 3/4", 1" housing

Code	Description	Ø (mm)	Height (mm)	Micron	Pcs per box	€/pcs
0CLXMI060	MINI X 60 µ	50	122	60	28	
0CLX05060	X 5" 60 µ	70	127	60	15-30	
0CLX07060	X 7" 60 µ	70	178	60	15	
0CLX09060	X 9" ¾ 60 µ	70	248	60	15-35	
0CLX20060	X 20" 60 µ	70	508	60	1	



XM/AP series

Technical features

- Ø ext.60mm Ø int.27,5mm
- Mechanical filtration on the surface
- Smooth 316 stainless steel
- Rubber food seals
- Min / max. operating temperature 0° C / 90 ° C
- For 1/2", 3/4", 1" housing

Code	Description	Ø (mm)	Height (mm)	Micron	Pcs per box	€/pcs
0CXM08060	XM/AP 9" 3/4 60 µ	70	204	60	15-30	
0CXM18060	XM/AP 18" 60 µ	70	457	60	15	



XSM series

Technical features

- Mechanical filtration on the surface
- Smooth 316 stainless steel
- NBR food grade rubber seals
- Min / max. operating temperature 0° C / 90 ° C
- For 1"1/4, 1"1/2, 2" housing

Code	Description	Ø (mm)	Height (mm)	Micron	Pcs per box	€/pcs
0CXS10060	XSM 9" 3/4	70	254	60	15	
0CXS20060	XSM 20"	70	508	60	15	



NET CARTRIDGE AISI 304

CAL series

Cartridge for domestic and industrial use with AISI 304 net.

Technical features

- Standard Ø ext.58mm and Ø int.28mm
- Min / max working temperature 0 ° C / 90 ° C
- Plain AISI 304 net

Code	Description	Height (mm)	Micron	Flow rate (l / h)	Pcs per box	€/pcs
A0435	CAL 4"	102	50	650	60	
A0436	CAL 5"	127	50	800	60	
A0434	CAL 7"	178	50	1000	48	
A0432	CAL 9"3/4	248	50	1500	30	
A0433	CAL 10"	254	50	1500	30	

EXTRUDED CARBON BLOCK CARTRIDGES

STANDARD EXTRUDED CARBON BLOCK CARTRIDGES

Cartridge for household use at the point of use for optimal reduction of chlorine from primary potable water. For technological use for the treatment of drinking and non-drinking water.

Technical features

- Standard Ø ext.70mm and Ø int.28mm
- Min / max working temperature 0 ° C / 30 ° C
- Rubber seals according to ACS & DM 174 standards
- For food use with germicidal lamp
- CX100014,16,24 sold in packs of 25 pcs
- CX100224 sold in packs of 20 pcs



Code	Description	Height	Flow rate (l / h)	Micron	€/pcs
CX100014	5 CX 5	5"	180	5	
CX100016	7 CX 5	7"	210	5	
CX100024	9 CX 5	9 ³ / ₄ "	300	5	
CX100224	20 CX 5	20"	500	5	

WATER BIG EXTRUDED CARBON BLOCK CARTRIDGES

Cartridge for civil use at the point of use for optimal reduction of chlorine from water potable primary. For technological use for the treatment of drinking and non-drinking water.

Technical features

- Standard Ø ext.100mm and Ø int.28mm
- Min / max working temperature 0 ° C / 30 ° C
- Rubber seals according to ACS & DM 174 standards
- For food use with germicidal lamp



Code	Description	Height	Flow rate (l / h)	Micron	€/pcs
CX100324	10 WB CX 5	10"	400	5	
CX100424	20 WB CX 5	20"	800	5	

SINTERED CARBON BLOCK CARTRIDGES

SINTERED CARBON BLOCK CARTRIDGES WITH SILVER

Cartridge for household at the point of use for optimal reduction of chlorine from potable primary water performs a function of microfiltration with antibacterial and bacteriostatic action as it is impregnated with silver.

Technical features

- Standard Ø ext.60mm and Ø int.28mm
- Min / max working temperature 0 ° C / 30 ° C
- Rubber seals according to ACS & DM 174 standards
- Type of maintenance: disposable



Code	Description	Ø (mm)	Height	Flow rate (l / h)	Micron	€/pcs
CA90110	AG CAB 60.04 con Ag	60	4"	90	0.3	
CA90120	AG CAB 60.05 con Ag	60	5"	90	0.3	
CA90130	AG CAB 60.07 con Ag	60	7"	120	0.3	
CA90140	AG CAB 60.09 con Ag	60	9 ³ / ₄ "	180	0.3	
CA90150	AG CAB 60.10 con Ag	60	10"	180	0.3	

ACTIVE CARBON CARTRIDGES

Cartridge for household at the point of use for an optimal reduction of chlorine from primary waters drinking. Externally coated with non-woven fabric and protective net.

Technical features

- Standard Ø ext.60mm and Ø int.28mm
- Min / max working temperature 0 ° C / 30 ° C
- Rubber seals according to ACS & DM 174 standards
- Type of maintenance: disposable



Code	Description	Ø (mm)	Height	Flow rate (l / h)	Micron	€/pcs
CA90160	CAB 60.09	60	9 ³ / ₄ "	270	1	
CA90170	CAB 60.20	60	20"	440	1	

GRANULAR ACTIVATED CARBON CARTRIDGES

GAC CARTRIDGES

Cartridge for household for optimal reduction of chlorine from potable primary waters.
For technological and industrial use for the treatment of drinking and non-drinking water.

Technical features

- Standard Ø ext.70mm and Ø int.28mm
- Min / max working temperature 0 ° C / 30 ° C
- Rubber seals according to ACS & DM 174 standards
- Active carbon of vegetable origin
- For food use with germicidal lamp

Code	Description	Ø (mm)	Height (mm)	Pcs per box	€/pcs
OCCA05	CA 5"	70	127	70	
OCCA07	CA 7"	70	178	35	
OCCA09	CA 9" ³ / ₄	70	248	35	
OCCA20	CA 20"	70	508	20	
OCCAMI	CA MINI	50	122	24	



Code	Description	Ø (mm)	Height (mm)	Pcs per box	€/pcs
CA100014	GAC 9" ³ / ₄	70	248	25	
CA100013	GAC 20"	70	508	20	



POLYPHOSPHATE CRYSTALS CARTRIDGES

Multi-purpose cartridges in plastic material with polyphosphate crystals suitable for household technological and industrial solutions for preventing from scale and corrosion.

Technical features

- Standard Ø ext.70mm and Ø int.28mm
- Min / max working temperature 0 ° C / 30 ° C
- Food grade polyphosphates in crystals

Code	Description	Ø (mm)	Height (mm)	Pcs per box	€/pcs
0CCPMI	CP MINI	50	122	24	
0CCP05	CP 5"	70	127	70	
0CCP07	CP 7"	70	178	35	
0CCP09	CP 9" ³ / ₄	70	248	35	
0CCP20	CP 20"	70	508	20	

RESIN CARTRIDGES

Multipurpose cartridges in plastic material with different resins in relation to the specific household, technological and industrial uses.

Technical features

- Standard Ø ext.70mm and Ø int.28mm
- Min / max working temperature 0 ° C / 30 ° C
- Mixed bed resins, anionic, cationic

MIXED BED RESIN CARTRIDGES

Code	Description	Ø (mm)	Height (mm)	Pcs per box	€/pcs
OCCRM1	CRM MINI	50	122	24	
OCCR05	CRM 5"	70	127	70	
OCCR07	CRM 7"	70	178	35	
OCCR09	CRM 9" ¾	70	248	35	
OCCR20	CRM 20"	70	508	20	



ANIONIC RESIN CARTRIDGES FOR NITRATES

Code	Description	Ø (mm)	Height (mm)	Pcs per box	€/pcs
OCRAM1	CRA MINI	50	122	24	
OCRA05	CRA 5"	70	127	70	
OCRA07	CRA 7"	70	178	35	
OCRA09	CRA 9" ¾	70	248	35	
OCRA20	CRA 20"	70	508	20	



CATIONIC RESIN CARTRIDGES FOR SOFTENING

Code	Description	Ø (mm)	Height (mm)	Pcs per box	€/pcs
OCRCMI	CRC MINI	50	122	24	
OCRC05	CRC 5"	70	127	70	
OCRC07	CRC 7"	70	178	35	
OCRC09	CRC 9" ¾	70	248	35	
OCRC20	CRC 20"	70	508	20	



EMPTY CARTRIDGES

Multi-purpose cartridges in plastic material inside which they can be inserted various materials according to specific household, technological or industrial uses.

Technical features

- Standard Ø ext.70mm and Ø int.28mm
- Min / max working temperature 0 ° C / 30 ° C

Code	Description	Ø (mm)	Height (mm)	Pcs per box	€/pcs
0CCVMI	CV MINI	50	122	28 - 192	
0CCV05	CV 5"	70	127	70	
0CCV07	CV 7"	70	178	35	
0CCV09	CV 9" ³ / ₄	70	248	35	
0CCV20	CV 20"	70	508	20	



2. HOUSINGS FOR CARTRIDGES

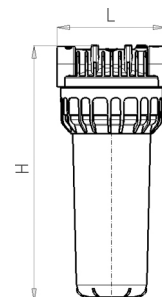
AMG PLASTIC HOUSINGS

603 SERIES

Housing for domestic and technological use for the treatment of drinking water at neutral pH.

Technical features

- Max operating pressure 8 bar
- Min / max working temperature 0 ° C / 30 ° C
- Head and ring nut in reinforced polypropylene
- Bowl in SAN
- Bracket mountable head
- All 20 "housing are supplied with a 1/2" drain and plug



With brass inserts - transparent bowl

Code	Description	Connections	H cartridge	L (mm)	H (mm)	Flow rate (l/h)	Pcs per box	€/pcs
0A3050311	P603 ci	1/2"	5"	125	195	6000	24	
0A3070311	P603 ci	1/2"	7"	125	245	6000	12	
0A3090311	P603 ci	1/2"	9" 3/4	125	307	6000	12	
0A3200311	P603 ci	1/2"	20"	125	588	6000	6	
0A3050411	P603 ci	3/4"	5"	125	195	6500	24	
0A3070411	P603 ci	3/4"	7"	125	245	6500	12	
0A3090411	P603 ci	3/4"	9" 3/4	125	307	6500	12	
0A3200411	P603 ci	3/4"	20"	125	588	6500	6	
0A3050511	P603 ci	1"	5"	125	195	7000	24	
0A3070511	P603 ci	1"	7"	125	245	7000	12	
0A3090511	P603 ci	1"	9" 3/4	125	307	7000	12	
0A3200511	P603 ci	1"	20"	125	588	7000	6	
0A3050611	P603 ci	1" 1/4	5"	125	195	13000	24	
0A3070611	P603 ci	1" 1/4	7"	125	245	13000	12	
0A3090611	P603 ci	1" 1/4	9" 3/4	125	307	13000	12	
0A3050711	P603 ci	1" 1/2	5"	125	195	13000	24	
0A3070711	P603 ci	1" 1/2	7"	125	245	13000	12	
0A3090711	P603 ci	1" 1/2	9" 3/4	125	307	13000	12	



With brass inserts - opaque bowl

Code	Description	Connections	H cartridge	L (mm)	H (mm)	Flow rate (l/h)	Pcs per box	€/pcs
00A3050341	OP603 ci	1/2"	5"	125	195	6000	24	
00A3070341	OP603 ci	1/2"	7"	125	245	6000	12	
00A3090341	OP603 ci	1/2"	9" 3/4	125	307	6000	12	
00A3200341	OP603 ci	1/2"	20"	125	588	6000	6	
00A3050441	OP603 ci	3/4"	5"	125	195	6500	24	
00A3070441	OP603 ci	3/4"	7"	125	245	6500	12	
00A3090441	OP603 ci	3/4"	9" 3/4	125	307	6500	12	
00A3200441	OP603 ci	3/4"	20"	125	588	6500	6	
00A3050541	OP603 ci	1"	5"	125	195	7000	24	
00A3070541	OP603 ci	1"	7"	125	245	7000	12	
00A3090541	OP603 ci	1"	9" 3/4	125	307	7000	12	
00A3200541	OP603 ci	1"	20"	125	588	7000	6	
00A3090641	OP603 ci	1" 1/4	9" 3/4	125	307	13000	12	
00A3090741	OP603 ci	1 1/2"	9" 3/4	125	307	13000	12	
00A3200741	OP603 ci	1 1/2"	20"	125	588	13000	6	



Without inserts - transparent bowl

Code	Description	Connections	H cartridge	L (mm)	H (mm)	Flow rate (l/h)	Pcs per box	€/pcs
0A3050110	P603 si	1/4"	5"	125	195	1500	24	
0A3070110	P603 si	1/4"	7"	125	245	1500	12	
0A3090110	P603 si	1/4"	9" 3/4	125	307	1500	12	
0A3200110	P603 si	1/4"	20"	125	588	1500	6	
0A3050210	P603 si	3/8"	5"	125	195	5000	24	
0A3070210	P603 si	3/8"	7"	125	245	5000	12	
0A3090210	P603 si	3/8"	9" 3/4	125	307	5000	12	
0A3200210	P603 si	3/8"	20"	125	588	5000	6	
0A3050310	P603 si	1/2"	5"	125	195	6000	24	
0A3070310	P603 si	1/2"	7"	125	245	6000	12	
0A3090310	P603 si	1/2"	9" 3/4	125	307	6000	12	
0A3200310	P603 si	1/2"	20"	125	588	6000	6	
0A3050410	P603 si	3/4"	5"	125	195	6500	24	
0A3070410	P603 si	3/4"	7"	125	245	6500	12	
0A3090410	P603 si	3/4"	9" 3/4	125	307	6500	12	
0A3200410	P603 si	3/4"	20"	125	588	7000	6	
0A3050510	P603 si	1"	5"	125	195	7000	24	
0A3070510	P603 si	1"	7"	125	245	7000	12	
0A3090510	P603 si	1"	9" 3/4	125	307	7000	12	
0A3200510	P603 si	1"	20"	125	588	7000	6	



Without inserts - opaque bowl

Code	Description	Connections	H cartridge	L (mm)	H (mm)	Flow rate (l/h)	Pcs per box	€/pcs
0A3050140	OP603 si	1/4"	5"	125	195	1500	24	
0A3070140	OP603 si	1/4"	7"	125	245	1500	12	
0A3090140	OP603 si	1/4"	9" 3/4	125	307	1500	12	
0A3200140	OP603 si	1/4"	20"	125	588	1500	6	
0A3050240	OP603 si	3/8"	5"	125	195	5000	24	
0A3070240	OP603 si	3/8"	7"	125	245	5000	12	
0A3090240	OP603 si	3/8"	9" 3/4	125	307	5000	12	
0A3200240	OP603 si	3/8"	20"	125	588	5000	6	
0A3050340	OP603 si	1/2"	5"	125	195	6000	24	
0A3070340	OP603 si	1/2"	7"	125	245	6000	12	
0A3090340	OP603 si	1/2"	9" 3/4	125	307	6000	12	
0A3200340	OP603 si	1/2"	20"	125	588	6000	6	
0A3050440	OP603 si	3/4"	5"	125	195	6500	24	
0A3070440	OP603 si	3/4"	7"	125	245	6500	12	
0A3090440	OP603 si	3/4"	9" 3/4	125	307	6500	12	
0A3200440	OP603 si	3/4"	20"	125	588	7000	6	
0A3050540	OP603 si	1"	5"	125	195	7000	24	
0A3070540	OP603 si	1"	7"	125	245	7000	12	
0A3090540	OP603 si	1"	9" 3/4	125	307	7000	12	
0A3200540	OP603 si	1"	20"	125	588	7000	6	



602 SERIES

Housing for household and technological use for the treatment of drinking water at neutral pH.

Technical features

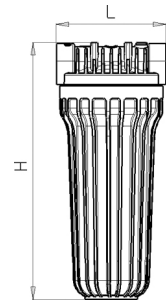
- Max operating pressure 8 bar
- Min / max working temperature 0 ° C / 30 ° C
- Head in reinforced polypropylene
- Bowl in SAN
- Bracket mountable head

With brass inserts - transparent bowl

Code	Description	Connections	H cartridge	L (mm)	H (mm)	Flow rate (l/h)	Pcs per box	€/pcs
0A2050311	P602 ci	1/2"	5"	125	195	6000	24	
0A2070311	P602 ci	1/2"	7"	125	245	6000	12	
0A2090311	P602 ci	1/2"	9" 3/4	125	307	6000	12	
0A2050411	P602 ci	3/4"	5"	125	195	6500	24	
0A2070411	P602 ci	3/4"	7"	125	245	6500	12	
0A2090411	P602 ci	3/4"	9" 3/4	125	307	6500	12	
0A2050511	P602 ci	1"	5"	125	195	7000	24	
0A2070511	P602 ci	1"	7"	125	245	7000	12	
0A2090511	P602 ci	1"	9" 3/4	125	307	7000	12	
0A2090611	P602 ci	1" 1/4	9" 3/4	125	307	13000	12	
0A2090711	P602 ci	1" 1/2	9" 3/4	125	307	13000	12	

With brass inserts - opaque bowl

Code	Description	Connections	H cartridge	L (mm)	H (mm)	Flow rate (l/h)	Pcs per box	€/pcs
0A2050341	OP602 ci	1/2"	5"	125	195	6000	24	
0A2070341	OP602 ci	1/2"	7"	125	245	6000	12	
0A2090341	OP602 ci	1/2"	9" 3/4	125	307	6000	12	
0A2050441	OP602 ci	3/4"	5"	125	195	6500	24	
0A2070441	OP602 ci	3/4"	7"	125	245	6500	12	
0A2090441	OP602 ci	3/4"	9" 3/4	125	307	6500	12	
0A2050541	OP602 ci	1"	5"	125	195	7000	24	
0A2070541	OP602 ci	1"	7"	125	245	7000	12	
0A2090541	OP602 ci	1"	9" 3/4	125	307	7000	12	



Without inserts - transparent bowl

Code	Description	Connections	H cartridge	L (mm)	H (mm)	Flow rate (l/h)	Pcs per box	€/pcs
0A2050110	P602 si	1/4"	5"	125	195	1500	24	
0A2070110	P602 si	1/4"	7"	125	245	1500	12	
0A2050210	P602 si	3/8"	5"	125	195	5000	24	
0A2070210	P602 si	3/8"	7"	125	245	5000	12	
0A2090210	P602 si	3/8"	9" 3/4	125	307	5000	12	
0A2050310	P602 si	1/2"	5"	125	195	6000	24	
0A2070310	P602 si	1/2"	7"	125	245	6000	12	
0A2090310	P602 si	1/2"	9" 3/4	125	307	6000	12	
0A2050410	P602 si	3/4"	5"	125	195	6500	24	
0A2070410	P602 si	3/4"	7"	125	245	6500	12	
0A2090410	P602 si	3/4"	9" 3/4	125	307	6500	12	
0A2050510	P602 si	1"	5"	125	195	7000	24	
0A2070510	P602 si	1"	7"	125	245	7000	12	
0A2090510	P602 si	1"	9" 3/4	125	307	7000	12	



Without inserts - opaque bowl

Code	Description	Connections	H cartridge	L (mm)	H (mm)	Flow rate (l/h)	Pcs per box	€/pcs
0A2050140	OP602 si	1/4"	5"	125	195	1500	24	
0A2070140	OP602 si	1/4"	7"	125	245	1500	12	
0A2050240	OP602 si	3/8"	5"	125	195	5000	24	
0A2070240	OP602 si	3/8"	7"	125	245	5000	12	
0A2090240	OP602 si	3/8"	9" 3/4	125	307	5000	12	
0A2050340	OP602 si	1/2"	5"	125	195	6000	24	
0A2070340	OP602 si	1/2"	7"	125	245	6000	12	
0A2090340	OP602 si	1/2"	9" 3/4	125	307	6000	12	
0A2050440	OP602 si	3/4"	5"	125	195	6500	24	
0A2070440	OP602 si	3/4"	7"	125	245	6500	12	
0A2090440	OP602 si	3/4"	9" 3/4	125	307	6500	12	
0A2050540	OP602 si	1"	5"	125	195	7000	24	
0A2070540	OP602 si	1"	7"	125	245	7000	12	
0A2090540	OP602 si	1"	9" 3/4	125	307	7000	12	



P333 SERIES

Housing for technical use where you need a great flexibility of use and practicality of the product.

Technical features

- Max operating pressure 8 bar
- Min / max working temperature 0 ° C / 30 ° C
- 3-way head and ring nut in reinforced polypropylene
- Horizontal / vertical selection with cap and o-ring included
- Bracket mountable head

With brass inserts - transparent bowl

Code	Description	Connections	H cartridge	L (mm)	H (mm)	Flow rate (l/h)	Pcs per box	€/pcs
0AM5AP3131	P333 ci	1/2"	5" MINI	85	168	4500	30	

Without inserts - transparent bowl

Code	Description	Connections	H cartridge	L (mm)	H (mm)	Flow rate (l/h)	Pcs per box	€/pcs
0AM5AP3151	P333 si	1/2"	5" MINI	85	168	4500	30	

P332 SERIES

Housing for technical use where you need a great flexibility of use and practicality of the product.

Technical features

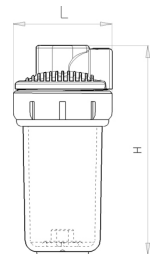
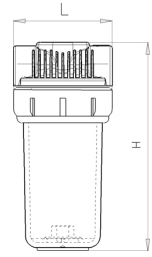
- Max operating pressure 8 bar
- Min / max working temperature 0 ° C / 30 ° C
- 2-way 90 ° IN / OUT head and ring nut reinforced polypropylene
- Bracket mountable head

With brass inserts - transparent bowl

Code	Description	Connections	H cartridge	L (mm)	H (mm)	Flow rate (l/h)	Pcs per box	€
0AM5AP3121	P332 ci	1/2"	5" MINI	85	168	4500	30	

With brass inserts - transparent bowl

Code	Description	Connections	H cartridge	L (mm)	H (mm)	Flow rate (l/h)	Pcs per box	€
0AM5AP3141	P332 si	1/2"	5" MINI	85	168	4500	30	

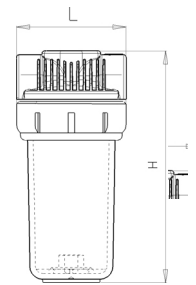


P331 SERIES

Housing for technical use where you need great flexibility of use and practicality of the artefact.

Technical features

- Max operating pressure 8 bar
- Min / max working temperature 0 ° C / 30 ° C
- 2-way IN / OUT head in line and ring nut in reinforced polypropylene
- Bracket mountable head



With brass inserts - transparent bowl

Code	Description	Connections	H cartridge	L (mm)	H (mm)	Flow rate (l/h)	Pcs per box	€/pcs
0AM5AP3161	P331 ci	1/2"	5" MINI	85	168	4500	30	



Without inserts - transparent bowl

Code	Description	Connections	H cartridge	L (mm)	H (mm)	Flow rate (l/h)	Pcs per box	€/pcs
0AM5AP3171	P331 si	1/2"	5" MINI	85	168	4500	30	



P900 SERIES

Housing for household and technological use for drinking water treatment with maximum temperature up to 80 ° C.

Technical features

- Max operating pressure 8 bar
- Min / max working temperature 0 ° C / 80 ° C
- Head, bowl and ring nut in reinforced polyamide
- Bracket mountable head



Without inserts-opaque bowl

Code	Description	Connections	H cartridge	L (mm)	H (mm)	Flow rate (l/h)	Pcs per box	€/pcs
0AH103470	P900HT	3/4"	9" 3/4	133	310	6000	12	
0AH103570	P900HT	1"	9" 3/4	133	310	6000	12	

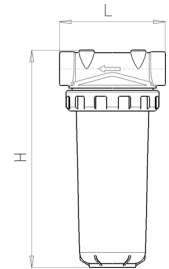
HOUSINGS WITH AMG BRASS HEAD

SP600 SERIES

Housing for domestic and technological, civil and industrial use for potable water treatment at neutral pH, with high standards of mechanical strength and durability.

Technical features

- Max operating pressure 12 bar
- Min / max working temperature 0 ° C / 50 ° C
- Brass head and ring nut
- Arrangement for pressure gauges
- Pressure relief screw
- Bracket mountable head in 1/2" - 3/4" - 1" versions
- Heads with 1 1/4" - 1 1/2" - 2" connections with GTS cartridges



Polyamide bowl - without drain

Code	Description	Connections	H cartridge	L (mm)	H (mm)	Flow rate (l/h)	Pcs per box	€/pcs
0A6090330	SP600	1/2"	9" 3/4	135	337	6000	6	
0A6190330	SP600	1/2"	19"	135	565	6000	6	
0A6090430	SP600	3/4"	9" 3/4	135	337	6000	6	
0A6190430	SP600	3/4"	19"	135	565	6000	6	
0A6090530	SP600	1"	9" 3/4	135	337	6300	6	
0A6190530	SP600	1"	19"	135	565	6300	6	
0A6100630	SP600	1" 1/4	9" 3/4	150	355	12000	6	
0A6200630	SP600	1" 1/4	20"	150	587	12000	6	
0A6100730	SP600	1" 1/2	9" 3/4	150	355	13000	6	
0A6200730	SP600	1" 1/2	20"	150	587	12000	6	
0A6100830	SP600	2"	9" 3/4	162	363	14000	6	
0A6200830	SP600	2"	20"	150	587	12000	6	



Polyamide bowl - with 1/2" threaded drain

Code	Description	Connections	H cartridge	L (mm)	H (mm)	Flow rate (l/h)	Pcs per box	€/pcs
0A6090331	SP600sc	1/2"	9" 3/4	135	337	6000	6	
0A6190331	SP600sc	1/2"	19"	135	565	6000	6	
0A6090431	SP600sc	3/4"	9" 3/4	135	337	6000	6	
0A6190431	SP600sc	3/4"	19"	135	565	6000	6	
0A6090531	SP600sc	1"	9" 3/4	135	337	6300	6	
0A6190531	SP600sc	1"	19"	135	565	6300	6	
0A6100631	SP600sc	1" 1/4	9" 3/4	150	355	12000	6	
0A6200631	SP600sc	1" 1/4	20"	150	587	12000	6	
0A6100731	SP600sc	1" 1/2	9" 3/4	150	355	13000	6	
0A6200731	SP600sc	1" 1/2	20"	150	587	13000	6	
0A6100831	SP600sc	2"	9" 3/4	162	363	14000	6	
0A6200831	SP600sc	2"	20"	162	595	14000	6	

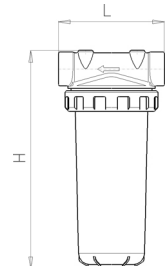


SE600 SERIES

Housing for domestic and technological, civil and industrial use for water treatment potable at neutral pH, with high standards of mechanical strength and durability.

Technical features

- Max operating pressure 8 bar
- Min / max working temperature 0 ° C / 30 ° C
- Brass head and ring nut
- Arrangement for pressure gauges
- Pressure relief screw
- Bracket mountable head in 1/2" - 3/4" - 1" versions
- Heads with 1"1/4 - 1"1/2 - 2" connections with GTS cartridges



SAN bowl - without drain

Code	Description	Connections	H cartridge	L (mm)	H (mm)	Flow rate (l/h)	Pcs per box	€/pcs
0A6090310	SE600	1/2"	9" 3/4	135	337	6000	6	
0A6190310	SE600	1/2"	19"	135	565	6000	6	
0A6090410	SE600	3/4"	9" 3/4	135	337	6000	6	
0A6190410	SE600	3/4"	19"	135	565	6000	6	
0A6090510	SE600	1"	9" 3/4	135	337	6300	6	
0A6190510	SE600	1"	19"	135	565	6300	6	
0A6100610	SE600	1" 1/4	9" 3/4	150	355	12000	6	
0A6200610	SE600	1" 1/4	20"	150	587	12000	6	
0A6100710	SE600	1" 1/2	9" 3/4	150	355	13000	6	
0A6200710	SE600	1" 1/2	20"	150	587	13000	6	
0A6100810	SE600	2"	9" 3/4	162	363	14000	6	
0A6200810	SE600	2"	20"	162	595	14000	6	



SAN bowl- with 1/2" threaded drain

Code	Description	Connections	H cartridge	L (mm)	H (mm)	Flow rate (l/h)	Pcs per box	€/pcs
0A6090311	SE600sc	1/2"	9" 3/4	135	337	6000	6	
0A6190311	SE600sc	1/2"	19"	135	565	6000	6	
0A6090411	SE600sc	3/4"	9" 3/4	135	337	6000	6	
0A6190411	SE600sc	3/4"	19"	135	565	6000	6	
0A6090511	SE600sc	1"	9" 3/4	135	337	6300	6	
0A6190511	SE600sc	1"	19"	135	565	6300	6	
0A6100611	SE600sc	1" 1/4	9" 3/4	150	355	12000	6	
0A6200611	SE600sc	1" 1/4	20"	150	587	12000	6	
0A6100711	SE600sc	1" 1/2	9" 3/4	150	355	13000	6	
0A6200711	SE600sc	1" 1/2	20"	150	587	13000	6	
0A6100811	SE600sc	2"	9" 3/4	162	363	14000	6	
0A6200811	SE600sc	2"	20"	162	595	14000	6	

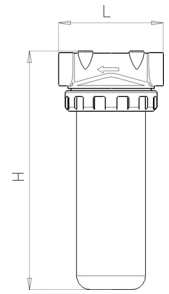


SX600 SERIES

Brass head housing and stainless steel bowl for industrial use with high standards of mechanical strength and reliability uses with high temperatures.

Technical features

- Max operating pressure 15 bar
- Min / max working temperature 0 ° C / 90 ° C
- Brass head and ring nut
- Arrangement for pressure gauges
- Pressure relief screw
- Bracket mountable head in 1/2" - 3/4" - 1" versions
- Heads with 1 1/4" - 1 1/2" - 2" connections with GTS or XSM cartridges



Bowl in AISI 304 - without drain

Code	Description	Connections	H cartridge	L (mm)	H (mm)	Flow rate (l/h)	Pcs per box	€/pcs
0A6050380	SX600	1/2"	5"	135	185	6000	12	
0A6090380	SX600	1/2"	9" 3/4	135	337	6000	6	
0A6200380	SX600	1/2"	20"	135	565	6000	6	
0A6070380	SX600	1/2"	7"	135	235	6000	6	
0A6050480	SX600	3/4"	5"	135	185	6000	12	
0A6090480	SX600	3/4"	9" 3/4	135	337	6000	6	
0A6200480	SX600	3/4"	20"	135	565	6000	6	
0A6070480	SX600	3/4"	7"	135	235	6000	6	
0A6050580	SX600	1"	5"	135	185	6000	12	
0A6090580	SX600	1"	9" 3/4	135	337	6300	6	
0A6200580	SX600	1"	20"	135	565	6300	6	
0A6070580	SX600	1"	7"	135	235	6000	6	
0A6100680	SX600	1" 1/4	9" 3/4	150	355	12000	6	
0A6200680	SX600	1" 1/4	20"	150	587	12000	6	
0A6100780	SX600	1" 1/2	9" 3/4	150	355	13000	6	
0A6200780	SX600	1" 1/2	20"	150	587	13000	6	
0A6100880	SX600	2"	9" 3/4	162	363	14000	6	
0A6200880	SX600	2"	20"	162	595	14000	6	



Bowl in AISI 304 - with 1/2" threaded drain

Code	Description	Connections	H cartridge	L (mm)	H (mm)	Flow rate (l/h)	Pcs per box	€/pcs
0A6050381	SX600sc	1/2"	5"	135	185	6000	12	
0A6090381	SX600sc	1/2"	9" 3/4	135	337	6000	6	
0A6200381	SX600sc	1/2"	20"	135	565	6000	6	
0A6070381	SX600sc	1/2"	7"	135	235	6000	6	
0A6050481	SX600sc	3/4"	5"	135	185	6000	12	
0A6090481	SX600sc	3/4"	9" 3/4	135	337	6000	6	
0A6200481	SX600sc	3/4"	20"	135	565	6000	6	
0A6070481	SX600sc	3/4"	7"	135	235	6000	6	
0A6050581	SX600sc	1"	5"	135	185	6000	12	
0A6090581	SX600sc	1"	9" 3/4	135	337	6300	6	
0A6200581	SX600sc	1"	20"	135	565	6300	6	
0A6070581	SX600sc	1"	7"	135	235	6000	6	
0A6100681	SX600sc	1" 1/4	9" 3/4	150	355	12000	6	
0A6200681	SX600sc	1" 1/4	20"	150	587	12000	6	
0A6100781	SX600sc	1" 1/2	9" 3/4	150	355	13000	6	
0A6200781	SX600sc	1" 1/2	20"	150	587	13000	6	
0A6100881	SX600sc	2"	9" 3/4	162	363	14000	6	
0A6200881	SX600sc	2"	20"	162	595	14000	6	



SP MINI SERIES

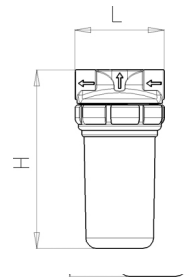
Housing suitable for technical uses where great flexibility is required of use with high standards of resistance of the product.

Technical features

- Max operating pressure 8 bar
- Min / max working temperature 0 ° C / 30 ° C
- Brass head and ring nut
- Horizontal / vertical selection with cap and o-ring included
- 3-way head and brass ring

Bowl in SAN - without drain

Code	Description	Connections	H cartridge	L (mm)	H (mm)	Flow rate (l/h)	Pcs per box	€/pcs
0AM43S33	SP mini	1/2"	MINI	85	168	4500	24	



SE MINI SERIES

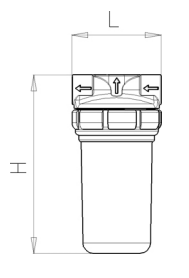
Housing suitable for technical uses where great flexibility is required of use with high standards of resistance of the product.

Technical features

- Max operating pressure 8 bar
- Min / max working temperature 0 ° C / 30 ° C
- Brass head and ring nut
- Horizontal / vertical selection with cap and o-ring included
- 3-way head and brass ring

Bowl in SAN - without drain

Code	Description	Connections	H cartridge	L (mm)	H (mm)	Flow rate (l/h)	Pcs per box	€/pcs
0AM43S31	SE mini	1/2"	MINI	85	168	4500	24	



SX MINI SERIES

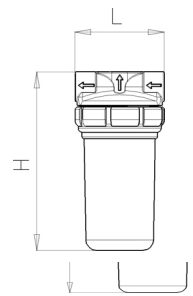
Housing suitable for technical uses where great flexibility is required of use with high standards of resistance of the product.

Technical features

- Max operating pressure 20 bar
- Min / max working temperature 0 ° C / 90 ° C
- Brass head and ring nut
- Horizontal / vertical selection with cap and o-ring included

Bowl in AISI 304 - without drain

Code	Description	Connections	H cartridge	L (mm)	H (mm)	Flow rate (l/h)	Pcs per box	€/pcs
0AM34S38	SX mini	1/2"	MINI	85	168	4500	24	



COMBI SERIES

Filter for water softeners with built-in by-pass. Can be installed with all types of valves.

Technical features

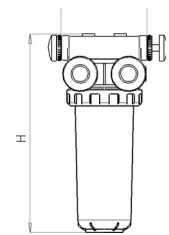
- Max operating pressure 12 bar
- Min / max working temperature 0 ° C / 50 ° C
- Brass head and ring nut
- Polyamide bowl
- 60µ washable filter cartridge
- Collection taps
- Hardness regulator

Available versions:

- Right version for Clack-Fleck valves
- Left version for Autotrol - Siata valves

With 1" elbow fittings

Code	Description	Connections	H cartridge	L (mm)	H (mm)	Flow rate (l/h)	Pcs per box	€/pcs
0A7090130	COMBI	1" dx	9" 3/4	117	428	4000	6	
0A7091130	COMBI	1" sx	9" 3/4	117	428	4000	6	
0A7190130	COMBI L	1" dx	19"	117	678	4000	6	
0A7191130	COMBI L	1" sx	19"	117	678	4000	6	

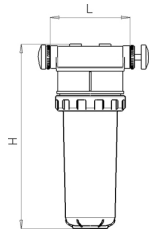


FB SERIES

Filter for household and technological use with built-in by-pass, for the treatment of drinking water at neutral pH.

Technical features

- Max operating pressure 12 bar
- Min / max working temperature 0 ° C / 50 ° C
- Brass head and ring nut
- Polyamide bowl
- 60µ washable filter cartridge



Code	Description	Connections	H cartridge	L (mm)	H (mm)	Flow rate (l/h)	Pcs per box	€/pcs
0A7090030	FB	1" dx	9" 3/4	117	368	4000	6	
0A7091030	FB	1" sx	9" 3/4	117	368	4000	6	
0A7190030	FB L	1" dx	19"	117	618	4000	6	
0A7191030	FB L	1" sx	19"	117	618	4000	6	

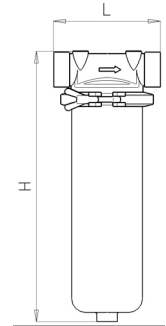
HOUSINGS IN AISI 316

XX800 SERIES

Fully stainless steel housing for industrial, food or chemical use. For filtration of aggressive liquids.

Technical features

- Max operating pressure 15 bar
- Min / max working temperature 0 ° C / 90 ° C
- Head, Clamp and bowl in AISI 316
- M6 cartridge INOX tendon tie rod
- Arrangement for pressure gauges
- Pressure relief screw
- Bracket mountable head



Housing in AISI 316 - without drain

Code	Description	Connections	H cartridge	L (mm)	H (mm)	Flow rate (l/h)	Pcs per box	€/pcs
0A8050400	XX800	3/4"	5"	134	200	6500	6	
0A8070400	XX800	3/4"	7"	134	250	6500	6	
0A8090400	XX800	3/4"	9" 3/4	134	320	6500	6	
0A8200400	XX800	3/4"	20"	134	585	6500	6	
0A8300400	XX800	3/4"	30"	134	840	6500	1	
0A8050500	XX800	1"	5"	134	200	7000	6	
0A8070500	XX800	1"	7"	134	250	7000	6	
0A8090500	XX800	1"	9" 3/4	134	320	7000	6	
0A8200500	XX800	1"	20"	134	585	7000	6	
0A8300500	XX800	1"	30"	134	840	7000	1	



Housing in AISI 316 - with 1/2" threaded drain

Code	Description	Connections	H cartridge	L (mm)	H (mm)	Flow rate (l/h)	Pcs per box	€/pcs
0A8050401	XX800sc	3/4"	5"	134	200	6500	6	
0A8070401	XX800sc	3/4"	7"	134	250	6500	6	
0A8090401	XX800sc	3/4"	9" 3/4	134	320	6500	6	
0A8200401	XX800sc	3/4"	20"	134	585	6500	6	
0A8300401	XX800sc	3/4"	30"	134	840	6500	1	
0A8050501	XX800sc	1"	5"	134	200	7000	6	
0A8070501	XX800sc	1"	7"	134	250	7000	6	
0A8090501	XX800sc	1"	9" 3/4	134	320	7000	6	
0A8200501	XX800sc	1"	20"	134	585	7000	6	
0A8300501	XX800sc	1"	30"	134	840	7000	1	



		P 602/603				SP, SE, SX				XX		P300	Water Big
		1/2" 3/4" 1"-H5" 7" 9"3/4	1"1/4 1"1/2"-H5" 7" 9"3/4	1/2" 3/4" 1"-H20" with 1/2" drain	1"1/4 1"1/2"-H20" with 1/2" drain	1/2" 3/4" 1"-H9"3/4" with 1/2" drain	1"1/4 1"1/2" 2" with 1/2" drain	1/2" 3/4" 1"-H20" with 1/2" drain	1"1/4 1"1/2" 2"-H20" with 1/2" drain	3/4" 1"-H5" 7" 9" 3/4" with 1/2" drain	3/4" 1"-H20" with 1/2" drain	Mini SP Mini SE Mini SX	
CNA	Wound thread	●		●				●				●	●
CFC	Wound thread + GAC	●											
PP	Extruded PP	●		●				●					●
GT	Washable PET net	●										●	
GTL 19"	Washable PET net							●					
GTL 20"	Washable PET net			●									
GTS	Washable PET net		●										
GTS 19"	Washable PET net								●				
GTS 20"	Washable PET net				●								
GT/AP	Washable PET net			●		●							
GTS/AP	Washable PET net				●		●						
XP	Plated AISI 316 net							●				●	
GTX	Smooth AISI 316 net	●		●									
X	Smooth AISI 316 net	●		●								●	
XM/AP	Smooth AISI 316 net			●		●		●		●		●	
XSM	Smooth AISI 316 net				●		●		●				
CAL	Smooth AISI 304 net	●											
CX	Extruded carbon block	●		●									●
CAB	Extruded carbon block	●		●									
AG CAB	Sinterized carbon with AG	●											
CV	Refillable cartridge	●		●				●					

ACCESSORIES AND SPARE PARTS FOR AMG HOUSINGS

ACCESSORIES AND SPARE PARTS FOR PLASTIC HOUSINGS

Code	Description	€
3041100021	Single blue plastic bracket mod. P600	
3041100041	Single blue plastic bracket mod. P300	
3041200021	Double blue plastic bracket mod. P600 c	
3041200041	Double blue plastic bracket mod. P300	
3042300012	Triple metal bracket mod. P600	
3051000903	Wrench mod. P600 / 700 short model	
303P20520	Transparent SAN bowl 5 "for P602	
303P205P0	Transparent SAN bowl 5 "for P603	
303P20720	Transparent SAN bowl 7 "for P602	
303P207P0	Transparent SAN bowl 7 "for P603	
303P20920	Transparent SAN bowl 9 "¾ for P602	
303P209P0	Transparent SAN bowl 9 "¾ for P603	
303P219S1	Transparent SAN 20" bowl with drain for P603 and SE600	
303P2MIG0	Transparent SAN bowl for P333 / P332 / P331	
3K00011MI	Diffuser kit for P300 filters	
502OR03068	Gasket for P332 / P333	
502OR4362	Seal for P600	

ACCESSORIES AND SPARE PARTS FOR PLASTIC/BRASS HOUSINGS

Code	Description	€
3042200042	P300 and S MINI double bracket	

ACCESSORIES AND SPARE PARTS FOR HOUSINGS IN BRASS / STEEL

Code	Description	€
508001	Radial pressure gauge 0-6 BAR DN40	
5030004	Drain tap ½ "	
3042100043	Stainless steel mini single bracket	
3042100072	S600 single metal bracket	
3042100083	XX800 stainless steel single bracket	
3042200043	Double stainless steel bracket for MINI	
3051000503	Wrench mod. S600	
3052000100	Galvanized steel wrench for S600	
3051000603	Wrench mod. P300 & S mini	
3112100018	½ "stainless steel 316 cap for bowl	
3112100028	1/8 "316 stainless steel cap	
302S1	Nickel-plated brass ring nut	
303P293P0	Transparent SAN vase 9 "¾ for SE600 and Aquasoft	
303P319S1	19/20 "transparent polyamide bowl with drain	
303P393P0	Polyamide 9 "¾ bowl for SP600 and COMBI	
303P393P1	Polyamide 9 "¾ bowl with drain for SP600sc	
303X20S0	SX 20 "stainless steel bowl closed	
303X20S1	SX 20 "stainless steel bowl with drain	
303X93S1	Stainless steel bowl SX 9 "with drain	
3K000001	Kit distr. Combi for water softener	
3K000002	Kit distr. FB	
3K000004	Complete Combi / FB drawer kit	
3K000005	Spring drain kit	
3K000006	Gasket kit	
3K000013	Autodischarge device kit	

PLASTIC FILTRUM HOUSINGS

HOUSING 2 PIECES FILTRUM

Housing for domestic and technological use for the treatment of drinking water at neutral pH.

Technical features

- Max operating pressure 6 bar
- Min / max working temperature 0 ° C / 30 ° C
- Head and ring nut in reinforced Polypropylene
- Bracket mountable head



Code	Description	Connections	H cartridge	€/pcs
CP100010	Housing CP	1/4"	5"	
CP100014	Housing CP	1/4"	9 3/4"	

ACCESSORIES FOR FILTRUM HOUSINGS

Code	Description	€/pcs
CP100134	Plastic wrench for CP5"	
CP100135	Plastic wrench for CP 9 3/4"	

WATER BIG SERIES HOUSINGS

Housing for domestic and technological use for the treatment of drinking water at neutral pH.

Technical features

- Max operating pressure 8 bar
- Min / max working temperature 0 ° C / 30 ° C
- Head and ring nut in reinforced Polypropylene
- Opaque bowl in reinforced Polypropylene
- For WATER BIG 9" 3/4 and 20" cartridges
- Bracket mountable head



Code	Description	Connections	H cartridge	L (mm)	H (mm)	€/pcs
WB100044	Housing Water Big	1"	9 3/4"	185	348	
WB100064	Housing Water Big	1 1/2"	9 3/4"	185	348	
WB100046	Housing Water Big	1"	20"	185	608	
WB100066	Housing Water Big	1 1/2"	20"	185	608	

ACCESSORIES FOR WATER BIG HOUSING

Code	Description	€/pcs
CP100111	Single bracket painted white for Water Big	
WB100047	Plastic wrench for WaterBig	

3. SELF-CLEANING FILTERS

TECH FILTER SERIES F2 STANDARD

TECH-FILTER IS AN ABSOLUTE NOVELTY: In comparison with the traditional cartridge filters currently on the market, it is provided with a series of additional functions, which make the appliance very versatile and suitable for a wide variety of uses. In addition to normal filtration, TECHFILTER has these other functions:

Back-washing of the cartridge;

Filter isolation;

Service water supply;

In by-pass water supply.

The multifunctional patented filtering system TECH-FILTER by FILTERLINE has been designed with maximum attention to details, to the choice of materials and to the search for extremely technical and innovative solutions which give the appliance total reliability.

TECH-FILTER has a 60 micron, stainless steel cartridge, which can be washed in counter-current, without removing it from the filter, simply by selecting the back-wash function provided.

TECH-FILTER is cheap to install, as it does not require expensive by-pass systems, since the filter already comprises a BY-PASS and CLOSED position. It is also economic as regards maintenance costs, thanks to its cartridge, which can be used for a large number of filtering cycles, without having to replace it.

Two CHECK-VALVES, necessary to conform to European Standards, are incorporated in the main line outlet and in the outlet of the secondary or drain line.

TECH-FILTER is designed and built in conformity with the European Directives and Standards for drinking water and water for food uses.

Construction materials

- Ca60 micron INOX cartridge
- Filter head: Brass
- Filter body: PEN - PET
- Min / max pressure operating temperature: 1- 10 bar
- Min / max temperature operating temperature: 3 ° C-40 ° C



Code	Description	€/pcs
FA200024	Self-Cleaning filter Tech Filter F2 Standard att. 1/2"	
FA200034	Self-Cleaning filter Tech Filter F2 Standard att. 3/4"	
FA200044	Self-Cleaning filter Tech Filter F2 Standard att. 1"	

TECH FILTER SPARE PARTS F2

Bowl

Code	Description	€/pcs
------	-------------	-------

FA300008	Transparent bowl filter F2ric.Tech Filter	
----------	---	--



Filter cartridge

Code	Description	€/pcs
------	-------------	-------

FA300000	Stainless steel 60μ / 90μ filtering cartridge	
----------	---	--



Bracket

Code	Description	€/pcs
------	-------------	-------

FA300002	Wall Bracket	
----------	--------------	--



Wrench

Code	Description	€/pcs
------	-------------	-------

FA300004	Wrench	
----------	--------	--



One-way check Valve

Code	Description	€/pcs
------	-------------	-------

FA300009	One-way check Valve	
----------	---------------------	--



Drain Valve

Code	Description	€/pcs
------	-------------	-------

FA300010	Drain Valve	
----------	-------------	--



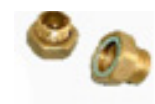
Connecting kit

Code	Description	€/pcs
------	-------------	-------

FA300015	1/2" Connecting Kit F2	
----------	------------------------	--

FA300016	3/4" Connecting Kit F2	
----------	------------------------	--

FA300017	1" Connecting Kit F2	
----------	----------------------	--



Various

Code	Description	€/pcs
------	-------------	-------

FA300006	Brass head F2 complete for Tech Filter	
----------	--	--

FA300011	Selecting knob	
----------	----------------	--

AMG CLEANING FILTER SERIES

AP500 SERIES

Technical features

- Max operating pressure 8 bar
- Min / max working temperature 0 ° C / 30 ° C
- Brass inserts
- Head and ring nut in reinforced polypropylene
- Transparent SAN bowl with 1/2" brass drain
- Drain tap with hose connection
- Cartridge with 60 micron washable polyester net (included)
- Bracket mountable head
- Heads with 1"1/4, 1"1/2, 2"connections use GTS / AP cartridges

Code	Description	Connections	H cartridge	L (mm)	H (mm)	Flow rate (mc/h)	€/pcs
OB109140	AP500	3/4"	9"3/4	123	418	6,5	
OB120140	AP500	3/4"	20"	123	668	6.5	
OB109150	AP500	1"	9"3/4	123	418	6,5	
OB120150	AP500	1"	20"	123	668	6.5	
OB109160	AP500	1"1/4	9"3/4	123	418	13,0	
OB120160	AP500	1"1/4	20"	123	668	13,0	
OB109170	AP500	1"1/2	9"3/4	123	418	13,0	
OB120170	AP500	1"1/2	20"	123	668	13,0	

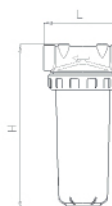


AP600 SERIES

Technical features

- Max operating pressure 12 bar
- Min / max working temperature 0 ° C / 50 ° C
- Brass head and ring nut
- Transparent polyamide bowl with 1/2" brass drain
- Drain tap with hose connection
- 60 micron washable stainless steel cartridge (included)
- Ready for Manometer
- Bracket mountable head
- Heads with 1"1/4, 1"1/2, 2"connections use XSM cartridges

Code	Description	Connections	H cartridge	L (mm)	H (mm)	Flow rate (mc/h)	€/pcs
OB209141	AP600	3/4"	9"3/4	135	397	6,5	
OB219141	AP600	3/4"	20"	135	565	6,5	
OB209151	AP600	1"	9"3/4	135	397	7,0	
OB219151	AP600	1"	20"	135	565	7,0	
OB210161	AP600	1"1/4	9"3/4	150	415	13,0	
OB220161	AP600	1"1/4	20"	150	565	13,0	
OB210171	AP600	1"1/2	9"3/4	150	415	13,0	
OB220271	AP600	1"1/2	20"	150	565	13,0	
OB210181	AP600	2"	9"3/4	162	423	14,0	
OB220281	AP600	2"	20"	162	603	14,0	



FILTER WITH INTEGRATED BY-PASS SYSTEM

BY-PASS SERIES

Technical features

- Filter with integrated BY-PASS system
- Max. Pressure operating pressure: 8 bar
- Min / max working temperature 0 ° C / 30 ° C
- Brass 3/4" GAS or 1" GAS connections
- Head and ring nut in reinforced polypropylene
- Transparent SAN bowl
- Vent plug
- Internal by-pass selector in POM
- Bracket mountable head

Code	Description	Connections	H cartridge	L (mm)	H (mm)	Flow rate (l/h)	€/pcs
0AY090411	BY-PASS CI 3/4" 9" 3/4	3/4"	9" 3/4	133	418	6500	
0AY090511	BY-PASS CI 1" 9" 3/4	1"	9" 3/4	133	418	7000	



AP BY-PASS SERIES

Technical features

- Filter with integrated BY-PASS system
- Max. Pressure operating pressure: 8 bar
- Operating temperature: 0 ° C to 30 ° C
- Brass 3/4" GAS or 1" GAS connections
- Head and ring nut in reinforced polypropylene
- Transparent SAN bowl
- Drain tap with hose connection
- Vent plug
- Internal by-pass selector in POM
- Cartridge with 60 micron washable polyester net (included)
- Bracket mountable head

Code	Description	Connections	H cartridge	L (mm)	H (mm)	Flow rate (l/h)	€/pcs
0BY0914	AP BY-PASS CI 3/4" 9" 3/4	3/4"	9" 3/4	133	307	6500	
0BY0915	AP BY-PASS CI 1" 9" 3/4	1"	9" 3/4	133	307	7000	
0BY2014	AP BY-PASS CI 3/4" 20"	3/4"	20"	133	668	6500	
0BY2015	AP BY-PASS CI 1" 20"	1"	20"	133	668	7000	



SPEEDY AND PROFI SERIES

SPEEDY JSY SERIES

Automatic self-cleaning filter in time with counter-current washing for water with temperature up to 30 ° C according to DIN 19632.

Cleaning the sock with brushes and rinsing in counter current eliminating dirt is discharged.

The automatism activates the brushes for cleaning and opens the valve of the drain.

The filter cap is made of Rilsan PN 16 synthetic material; the flange is in brass with fixed connection for installation on horizontal pipes; there threaded connection conforms to DIN 2999.

The sock is in stainless steel; the average filtering capacity is 100 µm

The ceramic drain valve ensures better resistance wear. The shell is prepared with a reminder calendar of the wash.

Drain connection according to DIN 1988. The filter is prepared for the installation of an automatic time cleaning system. Respect to manual models in the automatic version cleaning is done in a way independent through an operation regulation with 4 possible deadlines: daily, weekly, monthly and bi-monthly. Backwashing it is powered by a 9 volt electric motor; the system has one buffer battery to complete the backwashing in case of lack of power supply.



Manuals Self-Cleaning

Code	Description	Connections	Flow rate (mc/h)	dp (bar)	Height(mm)	€/pcs
8070568	SPEEDY JSY - LF	3/4"	3,3	0,2	180	
8070569	SPEEDY JSY - LF	1"	4,5	0,2	195	
8070570	SPEEDY JSY - LF	1"1/4	5,5	0,2	230	
8070558	SPEEDY JSY - LF	1"1/2	13,0	0,2	252	
8070559	SPEEDY JSY - LF	2"	17,0	0,2	280	

Automatic Time-Cleaning Self Cleaning

Code	Description	Connections	Flow rate (mc/h)	dp (bar)	Height(mm)	€/pcs
8070571	SPEEDYMAT JSY-LF A/T	3/4"	3,3	0,2	180	
8070572	SPEEDYMAT JSY-LF A/T	1"	4,5	0,2	195	
8070573	SPEEDYMAT JSY-LF A/T	1"1/4	5,5	0,2	230	
8070566	SPEEDYMAT JSY-LF A/T	1"1/2	13,0	0,2	252	
8070567	SPEEDYMAT JSY-LF A/T	2"	17,0	0,2	280	

PROFI SERIES

Automatic self-cleaning filter with counter-current washing for water with temperature up to 30 ° C according to DIN 19632.

The filter cap is made of Rilsan PN 16 synthetic material; the flange is in brass with 360 ° swivel screw connection for installation both on vertical and horizontal pipes; the threaded joint conforms to the DIN 2999; the sock is in stainless steel with a silver bath for reduction of bacterial proliferation; the average filtering capacity is 100 µm.

Backwashing is performed by the 9V electric motor that acts on the exclusive point rotation system for simultaneous cleaning filter element and inspection glass.

A flow rate of 5.5 m / s develops during backwashing, which speeds up the process by consuming less of water compared to traditional systems.

The ceramic drain valve ensures better resistance wear. Drain connection according to DIN 1988.

Cleaning is performed independently with an adjustment: hourly, daily, weekly and monthly (for T versions) and via a pressure switch adjustable differential (for TP versions). They are available on request stockings of different filtering capacity.



Manuals Self-Cleaning

Code	Description	Connections	Flow rate (mc/h)	dp (bar)	Height(mm)	€/pcs
8010072	PROFI PLUS JPF+	3/4"	4,1	0,2	180	
8010073	PROFI PLUS JPF+	1"	4,7	0,2	195	
8010074	PROFI PLUS JPF+	1"1/4	5,3	0,2	230	
8107012	PROFI PLUS JPF+	1"1/2"	13,0	0,2	252	
8107013	PROFI PLUS JPF+	2"	16,0	0,2	280	

Automatic Time-Cleaning Self Cleaning

Code	Description	Connections	Flow rate (mc/h)	dp (bar)	Height(mm)	€/pcs
8020104	PROFIMAT PLUS JPF+A T	3/4"	4,1	0,2	180	
8020105	PROFIMAT PLUS JPF+A T	1"	4,7	0,2	195	
8020106	PROFIMAT PLUS JPF+A T	1"1/4	5,3	0,2	230	
8307012	PROFIMAT PLUS JPF+A T	1"1/2"	13,0	0,2	252	
8307013	PROFIMAT PLUS JPF+A T	2"	16,0	0,2	280	

Automatic Self-Cleaning Dp Pressure

Code	Description	Connections	Flow rate (mc/h)	dp (bar)	Height(mm)	€/pcs
8020107	PROFIMAT PLUS JPF+A TP	3/4"	4,1	0,2	180	
8020108	PROFIMAT PLUS JPF+A TP	1"	4,7	0,2	195	
8020109	PROFIMAT PLUS JPF+A TP	1"1/4	5,3	0,2	230	
8020069	PROFIMAT PLUS JPF+A TP	1"1/2"	13,0	0,2	252	
8020073	PROFIMAT PLUS JPF+A TP	2"	16,0	0,2	280	

FLANGED PROFI WITH HIGH FLOW SERIES

Manual or automatic self-cleaning filter with counter-current washing for water with temperature up to 30 ° C according to DIN 19632.

The filter cap is made of Rilsan PN 16 synthetic material; the flange is in brass with 360 ° rotating screw connection for installation both on vertical pipes and horizontal; the threaded joint conforms to DIN 2999; the sock is in stainless steel with silver bath for the reduction of bacterial proliferation; the ability average filtering is 100 μm. Backwashing is performed by the electric motor 9V which acts on the exclusive point rotation system for simultaneous cleaning filter element and inspection glass.

During backwashing, a flow velocity of 5.5 m/s is developed which allows for speed up the process by consuming less water than traditional systems.

The ceramic drain valve ensures better wear resistance.

Drain connection according to DIN 1988. Models from DN65 to DN100 they have a single filtering sock, the DN125 model has 2 filtering stockings, the DN 150 model it has 3 filtering stockings and the DN 200 model has 4 filtering stockings.

The cleaning is done independently with an adjustment: hourly, daily, weekly and monthly (for T versions) and an adjustable differential pressure switch (for TP versions).



Self-Cleaning Manuals

Code	Description	Connections	Flow rate (mc/h)	dp (bar)	Height(mm)	€/pcs
8107014	PROFI JPF	DN 65	25	0,2	240	
8010033	PROFI JPF	DN 80	50	0,2	320	
8010034	PROFI JPF	DN 100	60	0,2	320	
8010035	PROFI JPF	DN 125	100	0,2	560	
8010036	PROFI JPF	DN 150	150	0,2	560	
8010037	PROFI JPF	DN 200	200	0,2	600	

Automatic Time-Cleaning Self Cleaning

Code	Description	Connections	Flow rate (mc/h)	dp (bar)	Height(mm)	€/pcs
8307014	PROFIMAT JPF-A T	DN 65	25	0,2	240	
8020033	PROFIMAT JPF-A T	DN 80	50	0,2	320	
8020034	PROFIMAT JPF-A T	DN 100	60	0,2	320	

Automatic Self-Cleaning Dp Pressure

Code	Description	Connections	Flow rate (mc/h)	dp (bar)	Height(mm)	€/pcs
8020038	PROFIMAT JPF-A TP	DN 65	25	0,2	240	
8020039	PROFIMAT JPF-A TP	DN 80	50	0,2	320	
8020040	PROFIMAT JPF-A TP	DN 100	60	0,2	320	
8020035	PROFIMAT JPF-A TP	DN 125	100	0,2	560	
8020036	PROFIMAT JPF-A TP	DN 150	150	0,2	560	
8020037	PROFIMAT JPF-A TP	DN 200	200	0,2	600	



03



INDUSTRIAL FILTER HOUSINGS

SS multicartridge filter housing | SS bag filter

INDUSTRIAL FILTER HOUSINGS

SS MULTICARTRIDGE FILTER HOUSINGS	79
AISI 304 SERIES	79
AISI 316L SERIES	80
SS BAG FILTER	81
AISI 304 SERIES	81
AISI 316 SERIES	81
SPARE PARTS FOR BAG FILTERS	82

INDUSTRIAL FILTER HOUSINGS

SS MULTICARTRIDGE FILTER HOUSINGS

SS 304 SERIES

Fully stainless steel multi-cartridge housing for industrial use for liquid filtration.

Technical features

- Max operating pressure 6 bar
- Min / max working temperature 0 ° C / 90 ° C
- Clamp closure
- Arrangement for 1/2" pressure gauges
- Drain sleeve



Item number	Description	Connections	Ø (mm)	Height (mm)	Cartridges	€
FM140470	Filter 304 MC 3 (D.O.E.)	1" 1/2	200	580	3 x 10"	
FM140480	Filter 304 MC 6 (D.O.E.)	1" 1/2	200	850	3 x 20"	
FM140490	Filter 304 MC 9 (D.O.E.)	1" 1/2	200	1160	3 x 30"	
FM140500	Filter 304 MC 12 (D.O.E.)	1" 1/2	200	1350	3 x 40"	
FM140400	Filter 304 MC 7 (D.O.E.)	2"	320	640	7 x 10"	
FM140410	Filter 304 MC 14 (D.O.E)	2"	320	880	7 x 20"	
FM140420	Filter 304 MC 21 (D.O.E)	2"	320	1140	7 x 30"	
FM140460	Filter 304 MC 28 (D.O.E)	3"	320	1400	7 x 40"	
FM140426	Filter 304 MC 18 (D.O.E)	DN 100	450	860	18 x 10"	
FM140430	Filter 304 MC 36 (D.O.E)	DN 100	450	1090	18 x 20"	
FM140440	Filter 304 MC 54 (D.O.E)	DN 100	450	1340	18 x 30"	
FM140450	Filter 304 MC 72 (D.O.E)	DN 100	450	1600	18 x 40"	

AISI 316L SERIES

Fully stainless steel multi-cartridge housing for industrial use for liquid filtration.

Technical features

- Max operating pressure 8 bar
- Clamp closure
- Arrangement for 1/2" pressure gauges
- Drain sleeve



Item number	Description	Connections	Ø (mm)	Height (mm)	Cartridges	€
FM14-0320	Multi-cartridge filter - 0320	2"M	168	1125	3 X 20"	
FM14-0320F	Multi-cartridge filter- 0320F	DN50	168	1125	3 X 20"	
FM14-0330	Multi-cartridge filter - 0330	2"M	168	1380	3 X 30"	
FM14-0330F	Multi-cartridge filter - 0330F	DN50	168	1380	3 X 30"	
FM14-0340	Multi-cartridge filter - 0340	2"M	168	1630	3 X 40"	
FM14-0340F	Multi-cartridge filter - 0340F	DN50	168	1630	3 X 40"	
FM14-0720	Multi-cartridge filter - 0720F	2"1/2	219	1130	7 X 20"	
FM14-0720F	Multi-cartridge filter - 0720	DN65	219	1130	7 X 20"	
FM14-0730	Multi-cartridge filter - 0730	2"1/2	219	1385	7 X 30"	
FM14-0730F	Multi-cartridge filter - 0730F	DN65	219	1385	7 X 30"	
FM14-0740	Multi-cartridge filter - 0740	2"1/2	219	1635	7 X 40"	
FM14-0740F	Multi-cartridge filter - 0740F	DN65	219	1635	7 X 40"	
FM14-0920	Multi-cartridge filter - 0920	3"	273	1245	9 X 20"	
FM14-0920F	Multi-cartridge filter - 0920F	DN80	273	1245	9 X 20"	
FM14-0930	Multi-cartridge filter - 0930	3"	273	1498	9 X30"	
FM14-0930F	Multi-cartridge filter - 0930F	DN80	273	1498	9 X 30"	
FM14-0940	Multi-cartridge filter - 0940	3"	273	1748	9 X 40"	
FM14-0940F	Multi-cartridge filter - 0940F	DN80	273	1748	9 X 40"	
FM14-1540F	Multi-cartridge filter - 1540F	DN100	324	1700	15 X 40"	
FM14-2240F	Multi-cartridge filter - 2240F	DN150	456	1715	22 X 40"	
FM14-4040F	Multi-cartridge filter - 4040F	DN150	600	2650	40 X 40"	
FM14-6040F	Multi-cartridge filter - 6040F	DN200	660	2680	60 X 40"	
FM14-9040F	Multi-cartridge filter - 9040F	DN200	812	2700	90 X 40"	

SS BAG FILTER SERIES

Bag filters are particularly suitable for the filtration of liquids with a high percentage of suspended solids and can contain filter bags, with a Ø 180 ring, in Polypropylene, Nylon or Polyester and with different degrees of filtration.

Technical features

- Outer housing: AISI 304-316
- Internal basket: AISI 316
- Drilling basket: Ø 3 mm
- Air vent: Ø 1/2 "
- Max pressure: 6 bar



AISI 304

Item number	Description	Connections	€
FS140400	Bag filter AISI 304 - with basket Ø180 - h.510 2"	2"	
FS140410	Bag filter AISI 304 - with basket Ø180 - h.900 2"	2"	
FS140420	Bag filter AISI 304 - with basket Ø180 - h.510 DN 65	DN 65	
FS140430	Bag filter AISI 304 - with basket Ø180 - h.900 DN 65	DN 65	

AISI 316

Item number	Description	Connections	€
FS140440	Bag filter AISI 316 - with basket Ø180 - h.510 2"	2"	
FS140450	Bag filter AISI 316 - with basket Ø180 - h.900 2"	2"	
FS140460	Bag filter AISI 316 - with basket Ø180 - h.510 DN 65	DN 65	
FS140470	Bag filter AISI 316 - with basket Ø180 - h.900 DN 65	DN 65	

SPARE PARTS FOR BAG FILTERS

Item number	Description	€
FS150110	PP Bag Ø 180x430 PP/W 1 µ	
FS150101	PP Bag Ø 180x430 PP/W 5 µ	
FS150102	PP Bag Ø 180x430 PP/W 15 µ	
FS150103	PP Bag Ø 180x430 PP/W 25 µ	
FS150104	PP Bag Ø 180x430 PP/W 50 µ	
FS150105	PP Bag Ø 180x430 PP/W 100 µ	
FS150130	PE Bag Ø 180x430 PE/W 1 µ	
FS150141	PE Bag Ø 180x430 PE/W 5 µ	
FS150142	PE Bag Ø 180x430 PE/W 15 µ	
FS150143	PE Bag Ø 180x430 PE/W 25 µ	
FS150144	PE Bag Ø 180x430 PE/W 50 µ	
FS150145	PE Bag Ø 180x430 PE/W 100 µ	
FS150180	NY Bag Ø 180x430 NY/W 1 µ	
FS150191	NY Bag Ø 180x430 NY/W 5 µ	
FS150192	NY Bag Ø 180x430 NY/W 15 µ	
FS150193	NY Bag Ø 180x430 NY/W 25 µ	
FS150194	NY Bag Ø 180x430 NY/W 50 µ	
FS150195	NY Bag Ø 180x430 NY/W 100 µ	
FS150230	PP Bag Ø 180x820 PP/W 1 µ	
FS150221	PP Bag Ø 180x820 PP/W 5 µ	
FS150222	PP Bag Ø 180x820 PP/W 15 µ	
FS150223	PP Bag Ø 180x820 PP/W 25 µ	
FS150224	PP Bag Ø 180x820 PP/W 50 µ	
FS150225	PP Bag Ø 180x820 PP/W 100 µ	
FS150250	PE Bag Ø 180x820 PE/W 1 µ	
FS150261	PE Bag Ø 180x820 PE/W 5 µ	
FS150262	PE Bag Ø 180x820 PE/W 15 µ	
FS150263	PE Bag Ø 180x820 PE/W 25 µ	
FS150264	PE Bag Ø 180x820 PE/W 50 µ	
FS150265	PE Bag Ø 180x820 PE/W 100 µ	
FS150300	NY Bag Ø 180x820 NY/W 1 µ	
FS150311	NY Bag Ø 180x820 NY/W 5 µ	
FS150312	NY Bag Ø 180x820 NY/W 15 µ	
FS150313	NY Bag Ø 180x820 NY/W 25 µ	
FS150314	NY Bag Ø 180x820 NY/W 50 µ	
FS150315	NY Bag Ø 180x820 NY/W 100 µ	







04



UV STERILIZERS
POLYPHOSPHATE DOSERS
MAGNETIC SLUDGE FILTER
CONDENSATE NEUTRALIZER

Ultra-violet sterilizers | Polyphosphate dosers | Boiler protection systems | Condensate neutralizer

1. ULTRA-VIOLET STERILIZERS

ULTRA-VIOLET STERILIZERS AISI 304	87
WL SERIES	87
SPARE PARTS ULTRA-VIOLET STERILIZERS WL	88
ULTRA-VIOLET STERILIZERS AISI 316	90
UVS SERIES	90
UVL SERIES	91
SPARE PARTS ULTRA-VIOLET STERILIZERS UVO	92
SPARE PARTS ULTRA-VIOLET STERILIZERS UVS E UVL	92
SPARE PARTS ULTRA-VIOLET STERILIZERS UVS FOR HOT WATER	92
STERILIZERS UV LED	93
UV LED SERIES	93
SPARE PARTS UV LED	93

2. POLYPHOSPHATE DOSERS

CRISTALSOFT SERIES	94
CRISTALSOFT B SERIES	94
CRISTALSOFT MAX SERIES	95
ACCESSORIES AND DIFFUSERS FOR AMG DOSERS	95
POLYPHOSPHATE PROPORTIONAL FEEDERS	96
DP SERIES	96
DP MAX SERIES	97
POLYPHOSPHATE PROPORTIONAL FEEDER SPARE PARTS	97

3. BOILER PROTECTION SYSTEMS

EASY MAGNETIC SLUDGE FILTER	98
--	-----------

4. RECHARGEABLE CONDENSATE NEUTRALIZER

NEUTRA V	99
NEUTRA V MICRO	99

1. ULTRA-VIOLET STERILIZERS

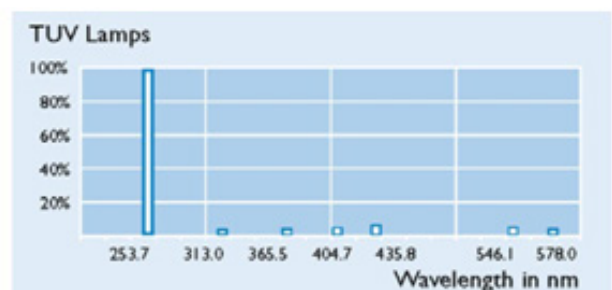
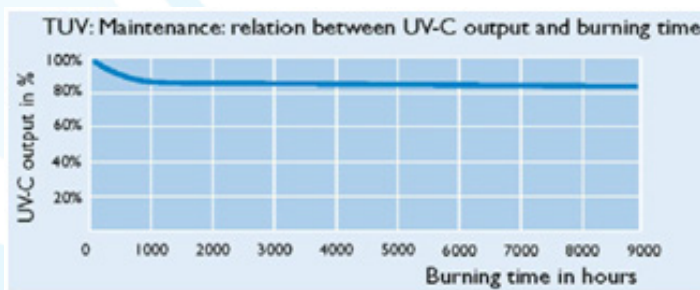
ULTRA-VIOLET STERILIZERS AISI 304

WL SERIES

Ultraviolet ray sterilization systems of the WL Technology SERIESs built with AISI 304 stainless steel body equipped with a visual alarm system that is depleted / malfunctions of the lamp and an operating hour counter only starting from the WL-UV110W-M model.

Maximum working pressure

- WL-UV4W - WL-UV16W: 6 bar
- WL-UV25W - WL-UV880W: 6 bar
- Supply voltage 220V - 50 Hz
- Life span: 8000 h
- Ultraviolet radiation dosage: 30,000 W / cm²



4W - 6W - 11W - 16W

Code	Description	€
WLUV4W	SS WL sterilizer 4 W	
WLUV6W	SS WL sterilizer 6 W	
WLUV11W	SS WL sterilizer 11 W	
WLUV16W	SS WL sterilizer 16 W	

25W - 30W - 55W

Code	Description	€
WLUV25W	SS WL sterilizer 25 W	
WLUV30W	SS WL sterilizer 30 W	
WLUV55W	SS WL sterilizer 55 W	

From 110W to 220 W

Code	Description	€
WLUV110W	SS WL sterilizer 110 W	
WLUV165W	SS WL sterilizer 165 W *	
WLUV220W	SS WL sterilizer 220 W	

* Not managed in stock



440W - 600W

Code	Description	€
WLUV330W	SS WL sterilizer 330 W *	
WLUV440W	SS WL sterilizer 440 W *	
WLUV550W	SS WL sterilizer 550 W *	
WLUV660W	SS WL sterilizer 660 W *	

* Not managed in stock



Code	IN/OUT connections	Dimension	Flow (l/h)
WLUV4W	1/4"	Ø 5,1 x 20	120
WLUV6W	1/4"	Ø 5,1 x 26	180
WLUV11W	1/4"	Ø 5,1 x 26	330
WLUV16W	1/4"	Ø 6,4 x 34	480
WLUV25W	1/2"	Ø 6,4 x 52	1000
WLUV30W	3/4"	Ø 6,4 x 97	1200
WLUV55W	3/4"	Ø 6,4 x 97	2200
WLUV110W	1"	Ø 14 x 97 x 35	4400
WLUV165W	1"	Ø 16 x 97 x 35	6400
WLUV220W	1" 1/2	Ø 18 x 97 x 39	8800
WLUV330W	2" 1/2	Ø 22 x 97 x 43	13200
WLUV440W	2" 1/2	Ø 22 x 97 x 54	17600
WLUV550W	3" - 4"	Ø 22 x 97 x 54	22000
WLUV660W	3" - 4"	Ø 31 x 97 x 72	26400

WL STERILIZER SPARE PARTS

LAMPS

Code	Description	€
TUV001	Lamp TUV 4W	
TUV002	Lamp TUV 6W	
TUV005	Lamp TUV 11W	
TUV007	Lamp TUV 16W	
TUV008	Lamp TUV 25W	
TUV009	Lamp TUV 30W	
TUV011	Lamp TUV 55W HO	



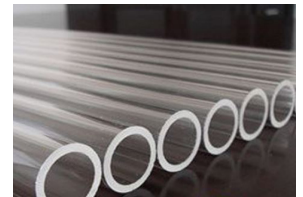
SPARE BALLAST

Code	Description	€
WLUVBA4/6	Spare ballast for sterilizer 4-6 Watt	
WLUVBA11	Spare ballast for sterilizer 11 Watt	
WLUVBA16	Spare ballast for sterilizer 16 Watt	
WLUVBA25	Spare ballast for sterilizer 25 Watt	
WLUVBA30	Spare ballast for sterilizer 30 Watt	
WLUVBA55	Spare ballast for sterilizer 55 Watt	
WLUVBA110	Board 55 W for ballast 110/220 W	



QUARTZ TUBE

Code	Description	€
WLUVTUB4	Spare quartz for sterilizer 4 Watt	
WLUVTUB6/11	Spare quartz for sterilizer 6/11 Watt	
WLUVTUB16	Spare quartz for sterilizer 16 Watt	
WLUVTUB25	Spare quartz for sterilizer 25 Watt	
WLUVTUB30/55	Spare quartz for sterilizer 30-55 Watt	



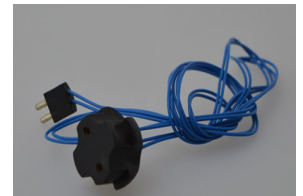
SEAL

Code	Description	€
WLUVOR4/25	O-ring for sterilizer UV4-6-11-16-25 W	
WLUVOR30/55	O-ring for sterilizer UV 30/55	



CONNECTION CABLES

Code	Description	€
WLUVCC4W	Connection cable for sterilizer WLUV4W	
WLUVCC6/11W	Connection cable for sterilizer WLUV6/11W	
WLUVCC16W	Connection cable for sterilizer WLUV16W	
WLUVCC25W	Connection cable for sterilizer WLUV25W	
WLUVCC30/55W	Connection cable for sterilizer WLUV30/55W	



NUTS

Code	Description	€
WLUVTA4/16	Open cap for sterilizer WLUV4-6-11-16W	
WLUVTC4/16	Closed cap for sterilizer WLUV4-6-11-16W	
WLUVTA25/55	Open cap for sterilizer WLUV25-30-55W	
WLUVTC25/55	Closed cap for sterilizer WLUV25-30-55W	



ULTRA-VIOLET STERILIZERS AISI 316

UVS SERIES

Code	Description	€
UV1S00	Sterilizer UV1S	
UV2S00	Sterilizer UV2S	
UV4S00	Sterilizer UV4S	
UV6S00	Sterilizer UV6S	
UV8S00	Sterilizer UV8S	



Code	IN/OUT connections	Lamp (W)	Flow l/h
UV1000S	3/4"	1 x 20	1.000
UV1S00	1"	1 x 40	2.500
UV2S00	1"	2 x 40	5.000
UV4S00	1" 1/2	4 x 40	10.000
UV6S00	2"	6 x 40	15.000
UV8S00	DN 50	8 x 40	20.000

UVL SERIES

Code	Description	€
UV4L00	Sterilizer UV4L	
UV6L00	Sterilizer UV6L	
UV8L00	Sterilizer UV8L	
UV10L0	Sterilizer UV10L	
UV12L0	Sterilizer UV12L	
UV16L0	Sterilizer UV16L	
UV20L0	Sterilizer UV20L	
UV24L0	Sterilizer UV24L	
UV32L0	Sterilizer UV32L	
UV40L0	Sterilizer UV40L	
UV48L0	Sterilizer UV48L	



Code	IN/OUT connections	Lamp (W)	Flow l/h
UV4L00	DN 50	4 x 65	20.000
UV6L00	DN 80	6 x 65	30.000
UV8L00	DN 80	8 x 65	40.000
UV10L0	DN 100	10 x 65	50.000
UV12L0	DN 100	12 x 65	60.000
UV16L0	DN 100	16 x 65	80.000
UV20L0	DN 125	20 x 65	100.000
UV24L0	DN 125	24 x 65	120.000
UV32L0	DN 150	32 x 65	160.000
UV40L0	DN 150	40 x 65	200.000
UV48L0	DN 150	48 x 65	240.000

SPARE PARTS STERILIZER UVO

Code	Description	€
CUV0	Controller for UVO	
UV0001	Lamp 11 W for UVO	
UV0002	Quartz for UVO	

SPARE PARTS STERILIZER UVS AND UVL

Code	Description	€
UV1S02	Lamp 20 W for Serie S	
UV1S01	Lamp 40 W for Serie S	
UV4L06	Lamp 65 W for Serie L	
UV4L07	Quartz tube for lamp 40 W Serie S	
UV4L08	Quartz tube for lamp 65 W Serie L	
CUV1S	Spare complete control box for UV1S	
CUV2S	Spare complete control box for UV2S	
UV4S10	Controller for UV4S	
UVSUV1S	Board for controller UV1S (post 2009)	
UVSUV2S	Board for controller UV2S (post 2009)	
UVSUV4S	Board for controller UV4S (post 2009)	
TPI12S	Lower pressing plug for o-ring for UV1S & UV2S	
TPS12S	Upper pressing plug for o-ring for UV1S e UV2S	
OR12S	Quartz tube O-ring for UV1S & UV2S	
CUV12S	Lamp cable complete for UV1S & UV2S	
OR4L	Quartz tube O-ring for UVL	
UV4L02	UV – METER for industrial devices	
UV4L03	Thermostat	
UV4L04	Diaphragm turbulator	
UV4L05	Specula	

SPARE PARTS FOR UVS FOR HOT WATER

Code	Description	€
UV1S01HO	Lamp 110W for HO Serie	

UV LED STERILIZER

UV LED SERIES

HI POWER

Code	Description	€
------	-------------	---

UVHILEDCF	UV HI POWER LED with flow switch and Plexiglass body	
-----------	--	--



SPARE PARTS UV LED

Lamps

Code	Description	€
------	-------------	---

UVHILED/1	Spare lamp UV HI POWER LED	
-----------	----------------------------	--



Ballast

Code	Description	€
------	-------------	---

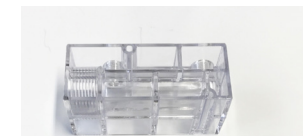
UVHILEDCF/2	Ballast UV LED POWER LED FLUX	
-------------	-------------------------------	--



Various

Code	Description	€
------	-------------	---

UVHILED/3	Plexiglass body for HIGH POWER LED	
-----------	------------------------------------	--



UVHILEDCF/1	Flow switch for UV LED HIGH POWER	
-------------	-----------------------------------	--



2. POLYPHOSPHATE DOSERS

CRISTALSOFT SERIES

Useful dispenser for washing machines and dishwashers, reduce the formation of scale on pipes and resistances.

Technical features

- Max operating pressure 4 bar
- Operating temperature from 0 ° C to + 30 ° C
- Head in ABS
- Transparent SAN bowl
- 3/4 "M/F threaded connections

Code	Description	Connections	Ø (mm)	H (mm)	Flow (l/h)	Pcs/box	€
0F1CS4S	SOFT S with polyphosphate	MF 3/4"	60	125	500	24	
0F1CS4V	SOFT V empty	MF 3/4"	60	125	500	24	

Blistered with polyphosphates

Code	Description	Connections	Ø (mm)	H (mm)	Flow (l/h)	Pcs/box	€
0F1CS4S00B	SOFT B with polyphosphate	MF 3/4"	60	125	500	24	



CRISTALSOFT B SERIES

Polyphosphate doser designed for use as safeguard of dishwashers and water heaters.

Technical features

- Max operating pressure 8 bar
- Operating temperature from 0 ° C to + 30 ° C
- 3-way head, ring nut and cap in polypropylene
- Transparent SAN bowl
- Preloaded with polyphosphate crystals



Code	Description	€
0F1CB3	Polyphosphate doser Cristalsoft B 1/2"	

CRISTALSOFT MAX SERIES

Filter for industrial use for polyphosphates dosing, applicable on solar panel circuits, boilers, etc.

Technical features

- Max operating pressure 8 bar
- Operating temperature from 0 ° C to + 30 ° C
- Head and ring in polypropylene
- Transparent SAN bowl
- Preloaded with polyphosphate crystals



Code	Description	Connections	Cartridge length	L (mm)	H (mm)	Flow (lt/hr)	Pcs/box	€
0F1C5310	MAX ci	1/2"	5"	123	200	6000	24	
0F1C5320	MAX ci	1/2"	7"	123	260	6000	12	
0F1C5330	MAX ci	1/2"	9" 3/4	123	310	6000	12	
0F1C5410	MAX ci	3/4"	5"	123	200	6500	24	
0F1C5420	MAX ci	3/4"	7"	123	260	6500	12	
0F1C5430	MAX ci	3/4"	9" 3/4	123	310	6500	12	
0F1C5510	MAX ci	1"	5"	123	200	7000	24	
0F1C5520	MAX ci	1"	7"	123	260	7000	12	
0F1C5530	MAX ci	1"	9" 3/4	123	310	7000	12	

ACCESSORIES AND DIFFUSERS FOR AMG DOSERS

Diffuser

Code	Description	€
3K0001105	Diffuser kit for filter P600 5"	
3K0001107	Diffuser kit for filter P600 7"	
3K0001109	Diffuser kit for filter P600 9" 3/4	
3K0001120	Diffuser kit for filter P600 20"	



POLYPHOSPHATE PROPORTIONAL DOSERS

Proportional polyphosphate dosers to protect the plants from the action of limestone.

DP SERIES

Technical features

- Max. dosers operating pressure 8 bar
- Operating temperature from 0 ° C to + 45 ° C
- Adjustable 1/2 "connections
- Flow rate 1.5 m3 / h

Code	Description	€
0F2DP100	Polyphosphate proportional dosers DP100 1/2" F	
0F2DP120	Polyphosphate proportional dosers DP120 1/2" F	
0F2DP130	Polyphosphate proportional dosers DP130 1/2" F	
0F2DP200	Polyphosphate proportional dosers DP200 1/2" F	
0F2DP2E1	Polyphosphate proportional dosers no by-pass DP200 Easy 1/2" M	
0F2DP2E0	Polyphosphate proportional dosers with by-pass DP200 Easy 1/2" M	



DP MAX SERIES

Proportional polyphosphate dosers, recommended in all new civil and industrial plants.

Technical features

- Max. Pressure operating 10 bar
- Operating temperature from 5 ° C to + 45 ° C
- Inlet water temperature from 5 ° C to + 35 ° C
- Nickel-plated brass head
- Bowl in SAN
- Adjustable GAS connections
- Built-in by-pass

Code	Description	€
0F2DP140	Polyphosphate proportional dosers DP MA X 3/4" - 1"	



POLYPHOSPHATE PROPORTIONAL DOSERS SPARE PARTS

Polyphosphate refills

Code	Description	€
DP100013	Pre-hardened polyphosphate powder refill (6 pcs. blister) for batchers models DP and DX	
DP100014	Pre-hardened polyphosphate powder refill (2 pcs. blister) for batchers model DP MAX	
DP100020	Polyphosphate powder refill 1 Kg	

3. BOILER PROTECTION SYSTEMS

EASY MAGNETIC SLUDGE FILTER

The magnetic sludge filter is a special filter for closed circuits of heating systems, designed for the removal of impurities such as sand, sludge and ferruginous residues.

The operating principle is a magnetic filtration, with both neodymium magnet housed in the center of the filter, and mechanical filtration with a 500 micron stainless steel filtering net.

The particular shape allows the installation in line, upside down and with inlet-outlet 90 °.

In the free connection, it is possible to install a flushing valve, or (if positioned on the top) a manual or automatic venting device, or set up the connection for loading chemicals into the system with a pump.

- Compatible fluid Water with glycole Max 30%
- Max pressure 8 bar 800 kPa
- Min/Max temperature 5 - 90 °C
- Filtration ratio 500 μm
- Magnet power 3000 Gauss
- Diameter 83 mm
- High 143 mm
- Connections F 3/4 G
- Heating power 25kW

Code	Description	€
ONEA001	Magnetic sludge filter A EASY 3/4"	



4. CONDENSATE NEUTRALIZER

NEUTRA V

The NEUTRA V is a device designed for an easy installation on the condensation drain of the new condensing boilers. The NEUTRA V is able to solve the problem of acid wastewater.

The environmental regulations of many countries impose waste waters with a pH of between 5,5 and 9,5.

The operating principle consists in flowing the drain water through spheres anti-clogging minerals that dissolve slowly and neutralize drain acidity.

- Compatible fluid Boiler condensation drain
- Max pressure 3 bar 300 kPa
- Min/Max temperature 5 - 55 °C
- Max capacity 3 l/h
- Mineral capacity 220 gr
- Diameter 85 mm
- Length 215 mm
- Connections 1/2" G + Hose d. 16
- Heating power Up to 35kW

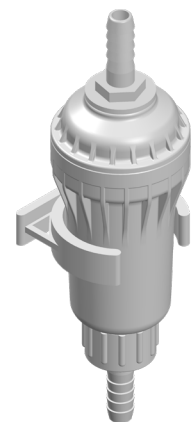


Code	Description	€
0F713M41	Rechargeable condensate neutralizer	

NEUTRA V MICRO

The NEUTRA Micro V is a device designed for an easy installation on the condensation drain of the new condensing boilers. The NEUTRA V Micro is able to solve the problem of acid wastewater. The environmental regulations of many countries impose waste waters with a pH of between 5,5 and 9,5. The operating principle consists in flowing the drain water through spheres anti-clogging minerals that dissolve slowly and neutralize drain acidity.

- Compatible fluid Boiler condensation drain
- Max pressure 3 bar 300 kPa
- Min/Max temperature 5 - 55 °C
- Max capacity 3 l/h
- Mineral capacity 110 gr
- Diameter 45 mm
- Length 240 mm
- Connections 3/4" G+Hose d. 12
- Heating power Up to 25kW



Code	Description	€
0F724C11	Rechargeable condensate neutralizer	



05



CLACK VALVES

Automatic Clack valves | Clack accessories | Spare parts and exploded drawings

1. AUTOMATIC CLACK VALVES

CM VALVES	104
WS1CI VALVES	105
WS1EI VALVES	106
WS1CG VALVES	107
WS1TC VALVES	108
WS1.25CI VALVES	109
WS1.5CI VALVES	110
WS2CI VALVES	111
WS2CI/QC VALVES	112
WS3 VALVES	113
VTT1CI - VTT1CM TWIN	114
DUPLEX SYSTEM VALVES WS1CI - WS1CM DF	115
DUPLEX SYSTEM VALVES WS1.25CI - WS1.25 CM DF	116
DUPLEX SYSTEM VALVES WS1.5CI - WS1.5CM DF	117
DUPLEX SYSTEM VALVES WS2CI - WS2CM DF	118
DUPLEX SYSTEM VALVES WS2CIQC - WS2CMQC DF	119
DUPLEX SYSTEM VALVES WS3	120
MULTIVALVE CONTROLLER	121
MOTORIZED VALVES 3 WAYS	122
MOTORIZED VALVES 2 WAYS	122

2. ACCESSORIES CLACK

FLOWMETER	123
FLOW CONTROL	123
CONNECTIONS KIT	124
BY-PASS - MIXING	124
ADAPTOR FOR TOP/LATERAL MOUNTING	125
CONNECTION CABLES	125
DIFFUSERS	125
MICROSWITCH KIT	125
VARIOUS	126

3. SPARE PARTS AND EXPLODED DRAWING

SPARES TIMER CI – CM - TWIN	127
SPARES TIMER TC	128
SPARES VALVE BODY 1" - 1"1/4 CI - CM	129
SPARES SUCTION GROUP FOR VALVE 1" - 1"1/4 CI - CM	130
SPARES DRAIN 3/4" FOR VALVE 1" - 1"1/4 CI - CM	131
SPARES DRAIN 1" FOR VALVE 1" - 1"1/4 CI - CM	132

SPARES VALVE BODY TWIN CI - CM	133
SPARES INJECTOR GROUP FOR VALVE 1" - 1"¼ - TWIN	134
SPARES TURBIN FOR 1" - 1"¼ - TWIN	135
SPARES VALVE BODY 1"1/2 CI - CM	136
SPARES VALVE BODY 2" CI - CM	137
SPARES VALVE BODY 2" QC CI - CM	138
SPARE PARTS SUCTION UNIT FOR VALVE 1"½	139
SPARE PARTS SUCTION UNIT FOR VALVE 2"	140
SPARES VALVE BODY 3"	141
SPARES TIMER 3"	142
SPARES PARTS SUCTION UNIT FOR VALVE 3"	143
SPARE 2 WAYS VALVE 1" & 1.25" FF FM	144
SPARE 2 WAYS VALVE 1.5"	145
SPARE 2 WAYS VALVE 2"	146
SPARE 2 WAYS VALVE 3"	147
SPARE 3 WAYS VALVE 1" & 1.25" FF MM	148
SPARE 3 WAYS VALVE 1.5" 3H	149
SPARE 3 WAYS VALVE 2"	150
SPARE 3 WAYS VALVE 3"	151
ADJUSTMENT TABLE FOR WATER SOFTENER	152

1. AUTOMATIC CLACK VALVES



CM VALVES

They can be programmed with dry brine tank or std, UF or DF regeneration system (depending on the type of version used). If are programmed UF with dry brine tank the regeneration can be settled proportional. The display is backlit. The language is in Italian. A time alarm can be set for maintenance (interval of a quarter of a year). You can enter the name and the telephone number of the system manufacturer that appears on the display even when the maintenance alarm is activated. The display can be set to energy saving, it turns off after 5 minutes if no buttons are pressed.

It has a relay that can be activated in different ways:

- After a X of time from the beginning of regeneration can be activated for X time.
- After X Lt in service it is possible activate for X time
- After X Lt in service and bypass during the regeneration can be activated for X time.
- After X volume of water passed.



WS1CM valves. For technical features and accessories, see the WS1 CI valve.

Code	Description	€
CL100043	Clack valve WS1 CM 1600 1" volume DF with accessories	
CL100045	Clack valve WS1 CM 1700 1" volume DF with accessories	
CL100047	Clack valve WS1 CM 1600 1" volume UF with accessories	
CL100049	Clack valve WS1 CM 1700 1" volume UF with accessories	

WS1.25CM valves. For technical features and accessories, see the WS1.25 CI valve.

Code	Description	€
CL125043	Clack valve WS1.25 CM 1600 1 1/4 volume DF with accessories	
CL125045	Clack valve WS1.25 CM 1700 1 1/4 volume DF with accessories	
CL125047	Clack valve WS1.25 CM 1600 1 1/4 volume UF with accessories	
CL125049	Clack valve WS1.25 CM 1700 1 1/4 volume UF with accessories	

WS1.5CM valves. For technical features and accessories, see the WS1.5 CI valve.

Code	Description	€
CL100143	Clack valve WS1.5 CM 1600 1 1/2 volume DF with accessories	
CL100145	Clack valve WS1.5 CM 1700 1 1/2 volume DF with accessories	
CL100147	Clack valve WS1.5 CM 1600 1 1/2 volume UF with accessories	
CL100149	Clack valve WS1.5 CM 1700 1 1/2 volume UF with accessories	

WS2CM valves. For technical features and accessories, see the WS2CI valve.

Code	Description	€
CL220143	Clack valve WS2 CM QC 1700 Volume 2" DF with accessories TOP mounted	
CL220145	Clack valve WS2 CM QC 1700 Volume 2" DF with accessories SIDE mounted	
CL220147	Clack valve WS2 CM QC 1700 Volume 2" UF with accessories TOP mounted	
CL220149	Clack valve WS2 CM QC 1700 Volume 2" UF with accessories SIDE mounted	

WS2CM/QC valves. For technical features and accessories, see the WS2CI/QC valve.

Code	Description	€
CL220245	Clack valve WS2 CM QC 1700 Volume 2" DF with accessories TOP mounted	
CL220243	Clack valve WS2 CM QC 1700 Volume 2" DF with accessories SIDE mounted	
CL220249	Clack valve WS2 CM QC 1700 Volume 2" UF with accessories TOP mounted	
CL220247	Clack valve WS2 CM QC 1700 Volume 2" UF with accessories SIDE mounted	

WS1CI VALVE

1" Electronic Valve with start regeneration time, volume or mixed, usable for filtration and softening.

The operating parameters are completely programmable to optimize the system from all points of view.

Up to 9 phases can be set per regenerative cycle and the hardness is programmable both in ppm and in ° F.

All operating data and service history are stored in a non-volatile memory and can be recalled at any time for a system analysis.

Technical features

- Service @ 1 bar drop 6.12 m³/h
- Backwash @ 1.7 bar drop 6.12 m³/h
- Inlet/Outlet Fittings 1", on demand ¾", 1"¼
- Operating pressures Min/Max 1.4 - 8.6 bar
- Operating temperatures Min/Max 4° - 43° C
- Voltage 230V AC
- Frequency 50 Hz
- Valve Material Noryl
- TANK APPLICATIONS
- Water Softener 6"-16" (1600) - 18"-21" (1700)
- Water Filter 9"-12" (DLFC ¾") - 13"-21" (DLFC 1")



Accessories included in softening version

- Top distributor - code D1203
- Bottom distributor - code D1236
- Distributor pipe Ø 27 - code ARI00364
- Transformer - code V3186EU
- Drain nut - code V3192
- Insert for drain fitting - code PKP10TS8-BULK
- DLFC (for version 1600) - code V3162-XXX
- DLFC (for version 1700) - code V3190-XXX
- Air Check 3/8" - code FLA18168 (Version 1600)
- Air Check ½" - code FLA18979 (Version 1700)
- Drain fitting 1" - code V3008-02 (version 1700)
- Adaptor for Air check ½" - code H4924 (version 1700)
- Elbow 3/8" - code PI0312S (Version 1600)
- Male straight fitting 1" Male BSP - code V3007-06

Accessories included in filter version

- Top distributor - code D1203
- Bottom distributor - code D1236
- Distributor pipe Ø 27 - code ARI00364
- Insert for drain fitting ¾" - code PKP10TS8-BULK
- Drain nut ¾" - code V3192
- DLFC (for version ¾") - code V3162-XXX
- DLFC (for version 1") - code V3190-XXX
- Drain fitting 1" - code V3008-02
- Male straight fitting 1" Male BSP - code V3007-06
- Transformer - code V3186EU

Valves with Accessories

Code	Description	€
CL100001	Clack valve WS1CI 1600 electronic volume with accessories	
CL100002	Clack valve WS1CI 1700 electronic volume with accessories	
CL100003	Clack valve WS1CI 1600 electronic volume UF with accessories	
CL100004	Clack valve WS1CI 1700 electronic volume UF with accessories	
CL100011	Clack valve WS1CI 1600 electronic time with accessories	
CL100012	Clack valve WS1CI 1700 electronic time with accessories	
CL100013	Clack valve WS1CI 1600 electronic time UF with accessories	
CL100014	Clack valve WS1CI 1700 electronic time UF with accessories	
CL100021	Clack valve WS1CI DLFC ¾" electronic filter with accessories	
CL100022	Clack valve WS1CI DLFC 1" electronic filter with accessories	

WS1EI VALVE

1" Electronic Valve with start regeneration time, volume or mixed, usable for filtration and softening. The operating parameters are completely programmable to optimize the system from all points of view. Up to 6 phases can be set per regeneration cycle.

Technical features

- Service @ 1 bar drop 6.12 m3/h
- Backwash @ 1.7 bar drop 6.12 m3/h
- Inlet/Outlet Fittings 1", on demand 3/4", 1"1/4
- Operating pressures Min/Max 1.4 - 8.6 bar
- Operating temperatures Min/Max 4° - 43° C
- Voltage 230V AC
- Frequency 50 Hz
- Valve Material Noryl
- TANK APPLICATIONS
- Water Softener 6"-16" (1600) - 18"-21" (1700)
- Water Filter 9"-12" (DLFC 3/4") - 13"-21" (DLFC 1")



Accessories included in softening version

- Top distributor - code D1203
- Bottom distributor - code D1236
- Distributor pipe Ø 27 - code ARI00364
- Transformer - code V3186EU
- Drain nut - code V3192
- Insert for drain fitting - code PKP10TS8-BULK
- DLFC (for version 1600) - code V3162-XXX
- DLFC (for version 1700) - code V3190-XXX
- Air Check 3/8" - code FLA18168 (Version 1600)
- Air Check 1/2" - code FLA18979 (Version 1700)
- Drain fitting 1" - code V3008-02 (version 1700)
- Adaptor for Air check 1/2" - code H4924 (version 1700)
- Elbow 3/8" - code PI0312S (Version 1600)
- Male straight fitting 1" Male BSP - code V3007-06

Accessories included in filter version

- Top distributor - code D1203
- Bottom distributor - code D1236
- Distributor pipe Ø 27 - code ARI00364
- Insert for drain fitting 3/4" - code PKP10TS8-BULK
- Drain nut 3/4" - code V3192
- DLFC (for version 3/4") - code V3162-XXX
- DLFC (for version 1") - code V3190-XXX
- Drain fitting 1" - code V3008-02
- Male straight fitting 1" Male BSP - code V3007-06
- Transformer - code V3186EU

Valves with Accessories

Code	Description	€
CL100071	Clack valve WS1EI 1600 electronic volume with accessories	
CL100072	Clack valve WS1EI 1700 electronic volume with accessories	
CL100081	Clack valve WS1EI 1600 electronic time with accessories	
CL100082	Clack valve WS1EI 1700 electronic time with accessories	
CL100091	Clack valve WS1EI DLFC 3/4" electronic filter with accessories	
CL100092	Clack valve WS1EI DLFC 1" electronic filter with accessories	

WS1CG VALVE

1" Electronic Valve with start regeneration time, volume or mixed, usable for filtration and softening. The operating parameters are completely programmable to optimize the system from all points of view. Up to 6 phases can be set per regeneration cycle.

Technical features

- Service @ 1 bar drop 6.12 m³/h
- Backwash @ 1.7 bar drop 6.12 m³/h
- Inlet/Outlet Fittings 1", on demand ¾", 1"¼
- Operating pressures Min/Max 1.4 - 8.6 bar
- Operating temperatures Min/Max 4° - 43° C
- Voltage 230V AC
- Frequency 50 Hz
- Valve Material Noryl
- TANK APPLICATIONS
- Water Softener 6"-16" (1600) - 18"-21" (1700)
- Water Filter 9"-12" (DLFC ¾") - 13"-21" (DLFC 1")



Accessories included in softening version

- Top distributor - code D1203
- Bottom distributor - code D1236
- Distributor pipe Ø 27 - code ARI00364
- Transformer - code V3186EU
- Drain nut - code V3192
- Insert for drain fitting - code PKP10TS8-BULK
- DLFC (for version 1600) - code V3162-XXX
- DLFC (for version 1700) - code V3190-XXX
- Air Check 3/8" - code FLA18168 (Version 1600)
- Air Check 1/2" - code FLA18979 (Version 1700)
- Drain fitting 1" - code V3008-02 (version 1700)
- Adaptor for Air check 1/2" - code H4924 (version 1700)
- Elbow 3/8" - code PI0312S (Version 1600)
- Male straight fitting 1" Male BSP - code V3007-06

Accessories included in filter version

- Top distributor - code D1203
- Bottom distributor - code D1236
- Distributor pipe Ø 27 - code ARI00364
- Insert for drain fitting ¾" - code PKP10TS8-BULK
- Drain nut ¾" - code V3192
- DLFC (for version ¾") - code V3162-XXX
- DLFC (for version 1") - code V3190-XXX
- Drain fitting 1" - code V3008-02
- Male straight fitting 1" Male BSP - code V3007-06
- Transformer - code V3186EU

Valves with Accessories

Code	Description	€
CL100095	Clack valve WS1CG 1600 DF electronic volume with accessories platinum cover	
CL100094	Clack valve WS1CG 1700 DF electronic volume with accessories platinum cover	

WS1TC VALVE

1" electronic simplified valve, with the start of regeneration at time, for filtration and softening. The preprogrammed cycles can be selected in this electronic version without being able to change the parameter individually. The only setting that can always be changed is the brine filling time to have, in the case of softening applications, the correct amount of brine for the regeneration cycle.

Technical features

- Service @ 1 bar drop 6.12 m³/h
- Backwash @ 1.7 bar drop 6.12 m³/h
- Inlet/Outlet Fittings 1", on demand 3/4", 1"1/4
- Operating pressures Min/Max 1.4 - 8.6 bar
- Operating temperatures Min/Max 4° - 43° C
- Voltage 230V AC
- Frequency 50 Hz
- Valve Material Noryl
- TANK APPLICATIONS
- Water Softener 6"-16" (1600) - 18"-21" (1700)
- Water Filter 9"-12" (DLFC 3/4") - 13"-21" (DLFC 1")



Accessories included in softening version

- Top distributor - code D1203
- Bottom distributor - code D1236
- Distributor pipe Ø 27 - code ARI00364
- Transformer - code V3186EU
- Drain nut - code V3192
- Insert for drain fitting - code PKP10TS8-BULK
- DLFC (for version 1600) - code V3162-XXX
- DLFC (for version 1700) - code V3190-XXX
- Air Check 3/8" - code FLA18168 (Version 1600)
- Air Check 1/2" - code FLA18979 (Version 1700)
- Drain fitting 1" - code V3008-02 (version 1700)
- Adaptor for Air check 1/2" - code H4924 (version 1700)
- Elbow 3/8" - code PI0312S (Version 1600)
- Male straight fitting 1" Male BSP - code V3007-06

Accessories included in filter version

- Top distributor - code D1203
- Bottom distributor - code D1236
- Distributor pipe Ø 27 - code ARI00364
- Insert for drain fitting 3/4" - code PKP10TS8-BULK
- Drain nut 3/4" - code V3192
- DLFC (for version 3/4") - code V3162-XXX
- DLFC (for version 1") - code V3190-XXX
- Drain fitting 1" - code V3008-02
- Male straight fitting 1" Male BSP - code V3007-06
- Transformer - code V3186EU

Valves with Accessories

Code	Description	€
CL100051	Clack valve WS1TC 1600 electronic simplified time with accessories	
CL100052	Clack valve WS1TC 1700 electronic simplified time with accessories	
CL100061	Clack valve WS1TC DLFC 3/4" electronic simplified filter with accessories	
CL100062	Clack valve WS1TC DLFC 1" electronic simplified filter with accessories	

WS1.25CI VALVE

1.25" Electronic Valve with start regeneration time, volume or mixed, usable for filtration and softening. The operating parameters are completely programmable to optimize the system from all points of view. Up to 9 phases can be set per regenerative cycle and the hardness is programmable both in ppm and in ° F. All operating data and service history are stored in a non-volatile memory and can be recalled at any time for a system analysis.

Technical features

- Service @ 1 bar drop 7,7 m³/h
- Backwash @ 1.7 bar drop 7,3 m³/h
- Inlet/Outlet Fittings 1"¼ male
- Operating pressures Min/Max 1,4 – 8,6 bar
- Operating temperatures Min/Max 4° – 43° C
- Voltage 230V AC
- Frequency 50 Hz
- Valve Material Noryl
- TANK APPLICATIONS
- Water Softener 6"-16" (1600) - 18"-21" (1700)
- Water Filter 9"-12" (DLFC ¾") - 13"-21" (DLFC 1")



Accessories included in softening version

- Top distributor - code D1203-03
- Bottom distributor - code D1238
- Distributor pipe Ø 32 - code ARI00362
- Transformer - code V3186EU
- Drain nut - code V3192
- Insert for drain fitting - code PKP10TS8-BULK
- DLFC (for version 1600) - code V3162-XXX
- DLFC (for version 1700) - code V3190-XXX
- Air Check 3/8" - code FLA18168 (Version 1600)
- Air Check ½" - code FLA18979 (Version 1700)
- Drain fitting 1" - code V3008-02 (version 1700)
- Adaptor for Air check ½" - code H4924 (version 1700)
- Elbow 3/8" - code PI0312S (Version 1600)
- Male straight fitting 1.25" Male BSP – code V3007-06

Accessories included in filter version

- Top distributor - code D1203-03
- Bottom distributor - code D1238
- Distributor pipe Ø 27 - code ARI00362
- Insert for drain fitting ¾" - code PKP10TS8-BULK
- Drain nut ¾" - code V3192
- DLFC (for version ¾") - code V3162-XXX
- DLFC (for version 1") - code V3190-XXX
- Drain fitting 1" - code V3008-02
- Male straight fitting 1" Male BSP - code V3007-06
- Transformer - code V3186EU

Valves with Accessories

Code	Description	€
CL125001	Clack valve WS1.25CI 1600 electronic volume with accessories	
CL125002	Clack valve WS1.25CI 1700 electronic volume with accessories	
CL125011	Clack valve WS1.25CI 1600 electronic time with accessories	
CL125012	Clack valve WS1.25CI 1700 electronic time with accessories	
CL125021	Clack valve WS1.25CI DLFC ¾" electronic filter with accessories	
CL125022	Clack valve WS1.25CI DLFC 1" electronic filter with accessories	

WS1.5CI VALVE

1.5" Electronic Valve with start regeneration time, volume or mixed, usable for filtration and softening. The operating parameters are completely programmable to optimize the system from all points of view.

Up to 9 phases can be set per regenerative cycle and the hardness is programmable both in ppm and in ° F.

All operating data and service history are stored in a non-volatile memory and can be recalled at any time for a system analysis.

Technical features

- Service @ 1 bar drop 13,6 m3/h
- Backwash @ 1.7 bar drop 11,4 m3/h
- Inlet/Outlet Fittings 1.5" BSPT
- Operating pressures Min/Max 1,4 – 8,6 bar
- Operating temperatures Min/Max 4° – 43° C
- Voltage 230V AC
- Frequency 50 Hz
- Valve Material Lead free brass
- TANK APPLICATIONS
- Water Softener 14"-16" (1600) - 18"-24" (1700)
- Water Filter 14"-30"
- Mounting base 4" 8UN



Accessories included in softening version

- Top distributor - code KIT8
- Distributor pipe Ø50 x 1820 mm - code FLA18404
- Transformer - code V3186EU
- Drain nut - code V3192
- Insert for drain fitting - code PKP10TS8-BULK
- DLFC (for version 1600) - code V3162-XXX
- DLFC (for version 1700) - code V3190-XXX
- Air Check 3/8" - code FLA18168 (Version 1600)
- Air Check 1/2" - code FLA18979 (Version 1700)
- Drain fitting 1" - code V3008-05 (version 1700)
- Adaptor for Air check 1/2" - code H4924 (version 1700)
- Elbow 3/8" - code PI0312S (Version 1600)

Accessories included in filter version

- Top distributor - code KIT8
- Distributor pipe Ø50 x 1820 mm - code FLA18404
- DLFC - code V3190-XXX
- Drain fitting da 1" 1/2 - code V3080BSPT
- Transformer - code V3186EU

Valves with Accessories

Code	Description	€
CL100101	Clack valve WS1.5CI 1600 electronic volume 1"½ with accessories	
CL100102	Clack valve WS1.5CI 1700 electronic volume 1"½ with accessories	
CL100111	Clack valve WS1.5CI 1600 electronic time 1"½ with accessories	
CL100112	Clack valve WS1.5CI 1700 electronic time 1"½ with accessories	
CL100120	Clack valve WS1.5CI DLFC 1" electronic filter 1"½ with accessories	

WS2CI VALVE

2" Electronic Valve with start regeneration time, volume or mixed, usable for filtration and softening. The operating parameters are completely programmable to optimize the system from all points of view.

Up to 9 phases can be set per regenerative cycle and the hardness is programmable both in ppm and in ° F.

All operating data and service history are stored in a non-volatile memory and can be recalled at any time for a system analysis.

Technical features

- Service @ 1 bar drop 26,1 m3/h
- Backwash @ 1.7 bar drop 18,2 m3/h
- Inlet/Outlet Fittings 2" BSPT
- Operating pressures Min/Max 1,4 – 8,6 bar
- Operating temperatures Min/Max 4° – 43° C
- Voltage 230V AC
- Frequency 50 Hz
- Valve Material Lead free brass
- TANK APPLICATIONS
- Water Softener 14"-16" (1600) - 18"-48" (1700)
- Water Filter 14"-36"
- Mounting base 4" 8UN



Accessories included in softening version

- Top distributor - code KIT8
- Distributor pipe Ø50 x 1820 mm - code FLA18404
- Transformer - code V3186EU
- Drain nut - code V3192
- Insert for drain fitting - code PKP10TS8-BULK
- DLFC (for version 1600) - code V3162-XXX
- DLFC (for version 1700) - code V3190-XXX
- Air Check 3/8" - code FLA18168 (Version 1600)
- Air Check 1/2" - code FLA18979 (Version 1700)
- Drain fitting 1" - code V3008-05 (version 1700)
- Adaptor for Air check 1/2" - code H4924 (version 1700)
- Elbow 3/8" - code PI0312S (Version 1600)

Accessories included in filter version

- Top distributor - code KIT8
- Distributor pipe Ø50 x 1820 mm - code FLA18404
- DLFC - code V3190-XXX
- Drain fitting da 1" 1/2 - code V3080BSPT
- Transformer - code V3186EU

Valves with Accessories

Code	Description	€
CL220001	Clack valve WS2CI 1600 electronic volume 2" with accessories	
CL220002	Clack valve WS2CI 1700 electronic volume 2" with accessories	
CL220011	Clack valve WS2CI 1600 electronic time 2" with accessories	
CL220012	Clack valve WS2CI 1700 electronic time 2" with accessories	
CL220022	Clack valve WS2CI DLFC 1"1/2 electronic filter 2" with accessories	

WS2CI/QC VALVE

2" Electronic Valve with start regeneration time, volume or mixed, usable for filtration and softening. The operating parameters are completely programmable to optimize the system from all points of view.

Up to 9 phases can be set per regenerative cycle and the hardness is programmable both in ppm and in ° F.

All operating data and service history are stored in a non-volatile memory and can be recalled at any time for a system analysis.

The valve has clamp-type connections for the main connections. This exists in the head mounting version or in the side mounting version.

Technical features

- Service @ 1 bar drop 28,4 m3/h
- Backwash @ 1.7 bar drop 19,3 m3/h
- Inlet/Outlet Fittings 2" BSPT
- Operating pressures Min/Max 1,4 – 8,6 bar
- Operating temperatures Min/Max 4° – 43° C
- Voltage 230V AC
- Frequency 50 Hz
- Valve Material Lead free brass
- TANK APPLICATIONS
- Water Softener 16"-48" (1700)
- Water Filter 14"-36"
- Mounting base 6" Flanged Top/Side mount



Accessories included in softening version

- WS2H/2 QC 6" Flange Base Assembly code V3055 for Top mount
- WS2H/2 QC 2" Side Mount Base Assembly BSPT code V3260BSPT-02
- Transformer - code V3186EU
- DLFC - code V3190-XXX
- Air Check 1/2" - code FLA18979
- Drain fitting 1" 1/2 - code V3080BSPT
- Adaptor for Air check 1/2" - code H4924
- Top distributor - code D1199-05

Accessories included in filter version

- WS2H/2 QC 6" Flange Base Assembly code V3055 for Top mount
- WS2H/2 QC 2" Side Mount Base Assembly BSPT code V3260BSPT-02
- DLFC (for version 1") - code V3162-XXX
- Drain fitting da 1" 1/2 - code V3080BSPT
- Transformer - code V3186EU
- Top distributor - code D1199-05

Valves with Accessories

Code	Description	€
CL220048	Clack valve WS2CI/QC 1700 electronic volume 2" Top mounted with accessories	
CL220049	Clack valve WS2CI/QC 1700 electronic volume 2" Side mounted with accessories	
CL220038	Clack valve WS2CI/QC 1700 electronic time 2" Top mounted with accessories	
CL220039	Clack valve WS2CI/QC 1700 electronic time 2" Side mounted with accessories	
CL220058	Clack valve WS2CI/QC electronic filter 2" Top mounted with accessories	
CL220059	Clack valve WS2CI/QC electronic filter 2" Side mounted with accessories	

WS3 VALVE

3" Electronic Valve with start regeneration time, volume or mixed, usable for filtration and softening. The operating parameters are completely programmable to optimize the system from all points of view.

Up to 9 phases can be set per regenerative cycle and the hardness is programmable both in ppm and in ° F.

All operating data and service history are stored in a non-volatile memory and can be recalled at any time for a system analysis.

The valve has clamp-type connections for the main connections. This exists in the head mounting version or in the side mounting version.

Technical features

- Service @ 1 bar drop 56,8 m3/h
- Backwash @ 1.7 bar drop 50 m3/h
- Inlet/Outlet Fittings 3" BSPT
- Operating pressures Min/Max 1,4 – 8,6 bar
- Operating temperatures Min/Max 4° – 43° C
- Voltage 230V AC
- Frequency 50 Hz
- Valve Material Lead free brass
- TANK APPLICATIONS
- Water Softener up to 79"
- Water Filter up to 63"
- Mounting base 6" Flanged Top/Side mount

Accessories included in softening version

- WS2H/2 QC 6" Flange Base Assembly code V3055 for Top mount (Distributor pipe Ø 63)
- WS2H/2 QC 2" Side Mount Base Assembly BSPT code V3260BSPT-02
- Transformer - code V3186EU
- DLFC (for version 1700) - code V3190-XXX
- Air Check 1/2" - code FLA18979 (version 1700)
- Drain fitting da 1" - code V3008-05 (version 1700)
- Adaptor for Air check 1/2" - code H4924 (version 1700)

Accessories included in filter version

- WS2H/2 QC 6" Flange Base Assembly code V3055 for Top mount (Distributor pipe Ø 63)
- WS2H/2 QC 2" Side Mount Base Assembly BSPT code V3260BSPT-02
- DLFC (for version 1") - code V3162-XXX
- Drain fitting da 1" 1/2 - code V3080BSPT
- Transformer - code V3186EU



Valves with Accessories

Code	Description	€
CL300001	Clack valve WS3 electronic vol. 3" Top mounted with accessories	
CL300004	Clack valve WS3 electronic vol. 3" Side mounted with accessories	
CL300010	Clack valve WS3 electronic time 3" Top mounted with accessories	
CL300012	Clack valve WS3 electronic time 3" Side mounted with accessories	
CL300022	Clack valve WS3 electronic filter 3" Top mounted with accessories	
CL300024	Clack valve WS3 electronic filter 3" Side mounted with accessories	

VTT1CI - VTT1CM TWIN VALVE

1" Electronic Duplex Valve with start regeneration volume, usable for softening. The operating parameters are completely programmable to optimize the system from all points of view. Up to 9 phases can be set per regenerative cycle and the hardness is programmable both in ppm and in ° F. All operating data and service history are stored in a non-volatile memory and can be recalled at any time for a system analysis.

Technical features

- Service @ 1 bar drop 6.12 m³/h
- Backwash @ 1.7 bar drop 6.12 m³/h
- Inlet/Outlet Fittings 1", on demand ¾", 1"¼
- Operating pressures Min/Max 1.4 - 8.6 bar
- Operating temperatures Min/Max 4° – 43° C
- Voltage 230V AC
- Frequency 50 Hz
- Valve Material Noryl
- TANK APPLICATIONS
- Water Softener 6"-16" (1600) - 18"-21" (1700)



Accessories included in softening version

- Top distributor - code D1203
- Bottom distributor - code D1236
- Distributor pipe Ø 27 - code ARI00364
- Transformer - code V3186EU
- Drain nut - code V3192
- Insert for drain fitting - code PKP10TS8-BULK
- DLFC (for version 1600) - code V3162-XXX
- DLFC (for version 1700) - code V3190-XXX
- Air Check 3/8" - code FLA18168 (version 1600)
- Air Check ½" - code FLA18979 (version 1700)
- Drain fitting 1" - code V3008-02 (version 1700)
- Adaptor for Air check ½" - code H4924 (version 1700)
- Elbow 3/8" - code PI0312S (version 1600)
- Male straight fitting 1" Male BSP - code V3007-06
- Connection kit for 10 "tanks - Code V4017-01
- Tube diameter 1 "1/4 L = 20" n. 2 pcs Code V4052 (version 1700)
- Connection kit 1 1/4 "glue n. 2 pcs Code V3007-07 (version 1700)
- For tanks from 11" to 16" foresee nr 02 Code
- V4052 and nr 02 Code V3007-07

Valves with Accessories

Code	Description	€
CL100030	Clack valve VTT1CI 1600 twin with accessories	
CL100032	Clack valve VTT1CI 1700 Twin with accessories	
CL100031	Clack valve VTT1CM 1600 twin with accessories	
CL100033	Clack valve VTT1CM 1700 Twin with accessories	

DUPLEX SYSTEM VALVES WS1CI - WS1CM DF

The duplex systems consist of two WS1CI valves plus a 3-way valve for alternating the line in service. In particular they are systems where one column is always in service and the other is in regeneration or in stand-by. Regeneration starts via the turbine integrated in the valve. Version 1600 - V3069MM 3-way Valve with included Elbow Fittings Kit - Code V3191-01. Version 1700 - 3-way valve model V3069FF with included 1" male fittings kit - Code V3007-06.

Accessories included

- Top distributor - code D1203
- Bottom distributor - code D1236
- Distributor pipe Ø 27 - code ARI00364
- Transformer - code V3186EU
- Drain nut - code V3192
- Insert for drain fitting - code PKP10TS8-BULK
- DLFC (for version 1600) - code V3162-XXX
- DLFC (for version 1700) - code V3190-XXX
- Air Check 3/8" - code FLA18168 (version 1600)
- Air Check 1/2" - code FLA18979 (version 1700)
- Drain fitting da 1" - code V3008-02 (version 1700)
- Adaptor Air check 1/2" - code H4924 (version 1700)
- Elbow 3/8" - code PI0312S (version 1600)
- Male straight fitting 1" Male BSP - code V3007-06



Valves with Accessories

Code	Description	€
CL100301	CL100301 Duplex system 1" WS1CI 1600 composed by 2 valves, 3 ways valve and accessories	
CL100311	CL100311 Duplex system 1" WS1CI 1700 composed by 2 valves, 3 ways valve and accessories	
CL100302	CL100302 Duplex system 1" WS1CM DF 1600 composed by 2 valves, 3 ways valve and accessories	
CL100312	CL100302 Duplex system 1" WS1CM DF 1700 composed by 2 valves, 3 ways valve and accessories	

DUPLEX SYSTEM VALVES WS1.25CI - WS1.25CM DF

The duplex systems consist of two WS1.25CI valves plus a 3-way valve for alternating the line in service. In particular they are systems where one column is always in service and the other is in regeneration or in stand-by. Regeneration starts via the turbine integrated in the valve.

Version 1600 - V3069MM 3-way Valve with included Elbow Fittings Kit - Code V3191-01

Version 1700 - 3-way valve model V3069FF with included 1" male fittings kit - Code V3007-06

Accessories included

- Top distributor - code D1203-03
- Bottom distributor - code D1238
- Distributor pipe Ø 32 x 1500 mm - code ARI00362
- Transformer - code V3186EU
- Drain nut - code V3192
- Insert for drain fitting - code PKP10TS8-BULK
- DLFC (for version 1600) - code V3162-XXX
- DLFC (for version 1700) - code V3190-XXX
- Air Check 3/8" - code FLA18168 (version 1600)
- Air Check 1/2" - code FLA18979 (version 1700)
- Drain fitting da 1" - code V3008-02 (version 1700)
- Adaptor Air check 1/2" - code H4924 (version 1700)
- Elbow 3/8" - code PI0312S (version 1600)
- Male straight fitting 1" 1/4 Male BSP - code V3007-05



Valves with Accessories

Code	Description	€
CL100321	CL100321 Duplex system 1" 1/4 WS1.25CI 1600 composed by 2 valves, 3 ways valve and accessories	
CL100331	CL100331 Duplex system 1" 1/4 WS1.25CI 1700 composed by 2 valves, 3 ways valve and accessories	
CL100322	CL100322 Duplex system 1" 1/4 WS1.25CM DF 1600 composed by 2 valves, 3 ways valve and accessories	
CL100332	CL100332 Duplex system 1" 1/4 WS1.25CM DF 1700 composed by 2 valves, 3 ways valve and accessories	

DUPLEX SYSTEM VALVES WS1.5CI - WS1.5CM DF

The duplex systems consist of two WS1.5CI valves plus a 3-way valve for alternating the line in service. In particular they are systems where one column is always in service and the other is in regeneration or in stand-by. Regeneration starts via water meter positioned after the 3 ways valve. The supply includes a 1 1/2" female V3071BSPT 3-way valve.

Accessories included

- Top distributor - code KIT8
- Distributor pipe Ø50 x 1820 mm - code FLA18404
- Transformer - code V3186EU
- Drain nut - code V3192
- Insert for drain fitting - code PKP10TS8-BULK
- DLFC (for version 1600) - code V3162-XXX
- DLFC (for version 1700) - code V3190-XXX
- Air Check 3/8" - code FLA18168 (version 1600)
- Air Check 1/2" - code FLA18979 (version 1700)
- Drain fitting da 1" - code V3008-02 (version 1700)
- Adaptor for Air check 1/2" - code H4924 (version 1700)
- Elbow 3/8" - code PI0312S (version 1600)
- WS15 Meter Assy Male x Female BSPT 15' Meter Cable code V3040BSPT-15



Valves with Accessories

Code	Description	€
CL100341	CL100341 Duplex system 1" 1/2 WS1.5CI 1600 composed by 2 valves, 3 ways valve and accessories	
CL100351	CL100351 Duplex system 1" 1/2 WS1.5CI 1700 composed by 2 valves, 3 ways valve and accessories	
CL100342	CL100342 Duplex system 1" 1/2 WS1.5CM DF 1600 composed by 2 valves, 3 ways valve and accessories	
CL100352	CL100352 Duplex system 1" 1/2 WS1.5CM DF 1700 composed by 2 valves, 3 ways valve and accessories	

DUPLEX SYSTEM VALVES WS2CI – WS2CM DF

The duplex systems consist of two WS2CI valves plus a 3-way valve for alternating the line in service. In particular they are systems where one column is always in service and the other is in regeneration or in stand-by. Regeneration starts via water meter positioned after the 3 ways valve. The supply includes a 2" female V3076BSPT 3-way valve.

Accessories included

- Top distributor - code KIT8
- Distributor pipe Ø50 x 1820 mm - code FLA18404
- Transformer - code V3186EU
- Drain nut - code V3192
- Insert for drain fitting - code PKP10TS8-BULK
- DLFC (for version 1600) - code V3162-XXX
- DLFC (for version 1700) - code V3190-XXX
- Air Check 3/8" - code FLA18168 (version 1600)
- Air Check 1/2" - code FLA18979 (version 1700)
- Drain fitting da 1" - code V3008-02 (version 1700)
- Adaptor for Air check 1/2" - code H4924 (version 1700)
- Elbow 3/8" - code PI0312S (version 1600)
- WS2 Meter Assy Male x Female BSPT 15' Meter Cable code V3094BSPT-15

Note: For tank 36"-42"-48" add n°1 W3080BSPT



Valves with Accessories

Code	Description	€
CL100381	Duplex system 2" WS2CI 1600 composed by 2 valves, 3 ways valve and accessories	
CL100391	Duplex system 2" WS2CI 1700 composed by 2 valves, 3 ways valve and accessories	
CL100382	Duplex system 2" WS2CM 1600 composed by 2 valves, 3 ways valve and accessories	
CL100392	Duplex system 2" WS2CM 1700 composed by 2 valves, 3 ways valve and accessories	

DUPLEX SYSTEM VALVES WS2CI QC – WS2CM QC DF

The duplex systems consist of two WS2CI QC valves plus a 3-way valve for alternating the line in service. In particular they are systems where one column is always in service and the other is in regeneration or in stand-by. Regeneration starts via water meter positioned after the 3 ways valve. The supply includes a 2" female V3076BSPT 3-way valve. The valve has clamp-type connections for the main connections. This exists in the head mounting version or in the side mounting version.

Accessories included in softening version

- WS2H/2 QC 6" Flange Base Assembly code V3055 for Top mount (Distributor pipe Ø 63)
- WS2H/2 QC 2" Side Mount Base Assembly BSPT code V3260BSPT-02
- Transformer - code V3186EU
- DLFC - code V3080BSPT
- Air Check 1/2" - code FLA18979 (version 1700)
- Drain fitting da 1" - code V3008-05 (version 1700)
- Adaptor for Air check 1/2" - code H4924 (version 1700)
- WS2 Meter Assy Male x Female BSPT 15' Meter Cable code V3094BSPT-15



Valves with Accessories

Code	Description	€
CL100385	Duplex system 2" WS2CI QC 1700 Top mounted composed by 2 valves, 3 ways valve and accessories	
CL100395	Duplex system 2" WS2CI QC 1700 Side mounted composed by 2 valves, 3 ways valve and accessories	
CL100386	Duplex system 2" WS2CM QC 1700 Top mounted composed by 2 valves, 3 ways valve and accessories	
CL100396	Duplex system 2" WS2CM QC 1700 Side mounted composed by 2 valves, 3 ways valve and accessories	

DUPLEX SYSTEM VALVES W3

The duplex systems consist of two WS3 valves plus a 3-way valve for alternating the line in service. In particular they are systems where one column is always in service and the other is in regeneration or in stand-by. Regeneration starts via a series volumetric meter positioned after the 3-way valve. These valves can be mounted either on single hole cylinders (Top mounting) or double hole (Side mounting). The supply includes a 3" female V3083BSPT 3-way valve.

Accessories included

- Transformer - code V3461EU
- WS3 6" Flange Base Assembly code V3090
- WS3 Side Mount Base Assembly BSPT code V3674BSPT-02
- WS3 DLFC Assy 3 M-NPT x 3 F-NPT (No DLFC Buttons) code V3764BSPT
- DLFC - code V3190-XXX
- DLFC - code V3162-XXX
- WS3 3" Meter Assembly BSPT Male x Female 15' Meter Cable code V3075BSPT



Valves with Accessories

Code	Description	€
CL300130	Duplex system 3" WS3 composed by 2 valves, 3 ways valve and accessories Top mounted	
CL300135	Duplex system 3" WS3 composed by 2 valves, 3 ways valve and accessories Side mounted	

MULTIVALVE CONTROLLER

The control unit allows you to control up to 6 Clack valves from 1" to 2" simultaneously with different programming solutions. With this system, the manufacturer can design customized systems according to the needs of the end user. The various management options are as follows:

Progressive flow

Each valve in the system requires its counter. A flow ADD-POINT must be set in a progressive flow system. This ADD-POINT is the flow quantity after which one or more units are put into service to reach the required flow quantity.

The units will be put into service after the flow exceeds this ADD-POINT previously set and will maintain this flow for 30 seconds. If the flow increase exceeds the ADD-POINT by 120%, the unit will immediately be put into service to reach the required flow.

The units are put out of service when the flow request decreases by 90% of the single unit ADD-POINT for 1 minute.



Alternating flow

Each valve in the system requires its counter. In an alternate system a unit will always be in HOLD or in REGENERATION with all the others in SERVICE. The alternate system has a unique logic that staggers the valves based exclusively on capacity so that there is always sufficient capacity even with a regenerating valve.

Random

Each valve in the system requires its counter. All units are in service until a unit starts regenerating.

Regeneration is possible only with one valve at a time. Regeneration is required for each individual valve when necessary.

Series

Each valve in the system requires its own counter or it is also possible to use a single counter at the outlet of the system connected directly to the control unit. All units are in service until a unit starts regenerating. Regeneration is possible only with one valve at a time. If one of the valves indicates a regeneration, that valve will be the first to go into regeneration followed by all the other valves in series.

Technical features

- The control unit can control from 2 to 6 units. Clack valves of 1.0", 1.25", 1.5" or 2" can be used.
- All the valves are electrically powered directly from the control unit. All operating and diagnostic data can be loaded onto a standard USB drive.
- The control unit is equipped with two relays
- The volume of each single unit can be programmed. A lithium battery keeps the time in case of power failure.
- Microprocessor with easy-to-use front programming.
- The front display shows the time of day, the day of the week, the days left until the next regeneration, current flow and the total volume used by the system.

The panel LEDs indicate the status of the Online, Standby and regenerating system.

Code	Description	€
V3030-01	Multivalve controller	
V4276-36	Power cable 11 mt controller/valve	

MOTORIZED VALVES 3 WAYS

Code	Description	€
V3069FF	WS1/125 Motorized Alternating Valve FF 3 ways	
V3069MM	WS1/125 Motorized Alternating Valve MM 3 ways	
V3071BSPT	WS1.5 Motorized Alternating Valve BSPT	
V3076BSPT	WS2 Motorized Alternating Valve BSPT	
V3083BSPT	WS3 Motorized Alternating Valve BSPT	



MOTORIZED VALVES 2 WAYS

Code	Description	€
V3070FM	WS1/125 No Hard Water Bypass Valve FM	
V3070FF	WS1/125 No Hard Water Bypass Valve FF	
V3097BSPT	1.5 No Hard Water Bypass Male x Female BSPT	
V3098BSPT	2" No Hard Water Bypass Male x Female BSPT	
V3099BSPT	WS3 No Hard Water Bypass Male x Female BSPT	



2. ACCESSORIES CLACK

FLOW METERS

Code	Description	€
V3040BSPT	Flow meter 1"½ MF for WS1.5CI	
V3040BSPT-15	Flow meter 1"½ MF cable L. 4,5 meters for WS1.5CI	
V3094BSPT	Flow meter 2" MF for WS2CI	
V3094BSPT-15	Flow meter 2" MF cable L. 4,5 meters for WS2CI	
V3095BSPT	Flow meter 3" MF for WS3	
V3095BSPT-15	Flow meter 3" MF cable L. 4,5 meters for WS3	
V3039	WS1 Inline flow meter 1" plastic	
V3039-15	WS1 Inline flow 1" plastic meter cable L. 4,5	
V3045BSPT	Inline flow meter 1.5" plastic	
V3045BSPT-15	Inline flow 1.5" plastic meter cable L. 4,5	
V3221	Remote meter cable L. 4,5	



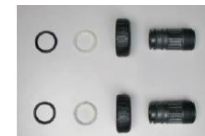
FLOW CONTROLS

Code	Description	€
V3008-02	WS1 Drain Fitting 1" Straight w/Silencer	
V3008-05	WS2 Drain Fitting 1" Male NPT w/o Silencer	
V3079BSPT	WS15 DLFC Assy 1.25 M-NPT x 1.5 F-BSPT (No DLFC Buttons)	
V3080BSPT	WS2 DLFC Assy 1.5 M-NPT x 1.5 F-BSPT (No DLFC Buttons)	
V3051BSPT	WS2H/3 DLFC Assy 2 M-BSPT x 2 F-BSPT (No DLFC Buttons)	
V3764BSPT	WS3 DLFC Assy 3 M-BSPT x 3 F-BSPT (No DLFC Buttons)	



CONNECTIONS KIT

Code	Description	€
V3007	WS1 Fitting 1" PVC Male NPT Elbow Assembly	
V3007-08	WS1 Fitting 1-1/4" Plastic Male BSPT Assembly	
V3007-06	WS1 Fitting 1" Plastic Male BSPT Assembly	
V3007-14	WS1 Fitting 3/4" Plastic Male BSPT Assembly	
V3007-07	1.25" & 1.5" PVC Solvent Assembly	
V4052	Pipe PVC SCH 80 1 1/4" X 2"	



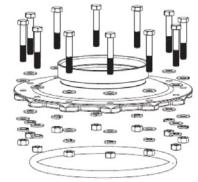
BY-PASS - MIXING

Code	Description	€
V3006	WS1 Bypass Assembly	
V3191-01	WS1 Bypass Vertical Adapter Assembly	
V4099	External In-Line Mixing Valve	
V3467	WS1 Bypass In line Adapter Fittings	



ADAPTORS FOR TOP/LATERAL MOUNTING

Code	Description
V3055	WS2 QC 6" Flange Base Assembly
V3090	WS3 6" Flange Base Assembly
V3260BSPT-02	WS2H/2 QC 2" Side Mount Base Assembly BSPT
V3674BSPT-02	WS3 Side Mount Base Assembly BSPT



CONNECTION CABLES

Code	Description	€
V3340	WS1 Interconnect Cable (Series Regeneration)	
V3474	8' Alternator/Communication Cable	
V3475-12	WS2H/3 System Connection Cord 12' Red	
V3475-24	WS2H/3 System Connection Cord 24' Blue	
V3475-36	WS2H/3 System Connection Cord 36' Yellow	

DIFFUSERS

Code	Description	€
D1203	287F Top 1.050	
D1203-03	287F Top 32mm	
D1236	932 Bottom 1.050	
D1238	932 Bottom 32mm	

MICROSWITCH KIT

Code	Description	€
V3009	WS1 Auxiliary Microswitch Assembly	
V3014	WS1 Series Microswitch Assembly	
V3017	WS2 Service Or Fill Switch Assembly	



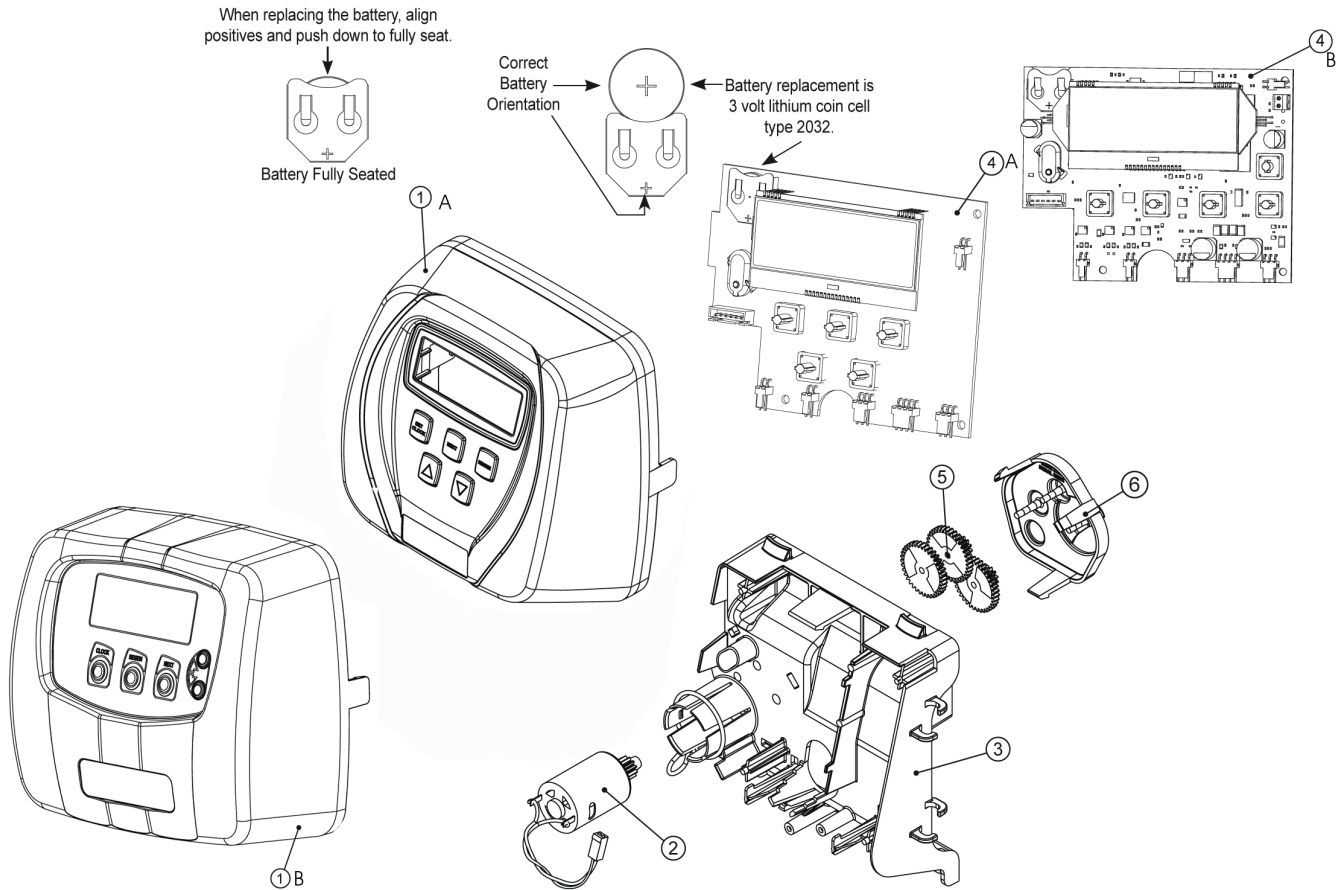
VARIOUS

Code	Description	€
V3175WC-A	WS1 Weather Cover Almond	
V3193-02	WS1 Service Spanner Wrench	
V3022	WS1 Stack Puller Assembly	



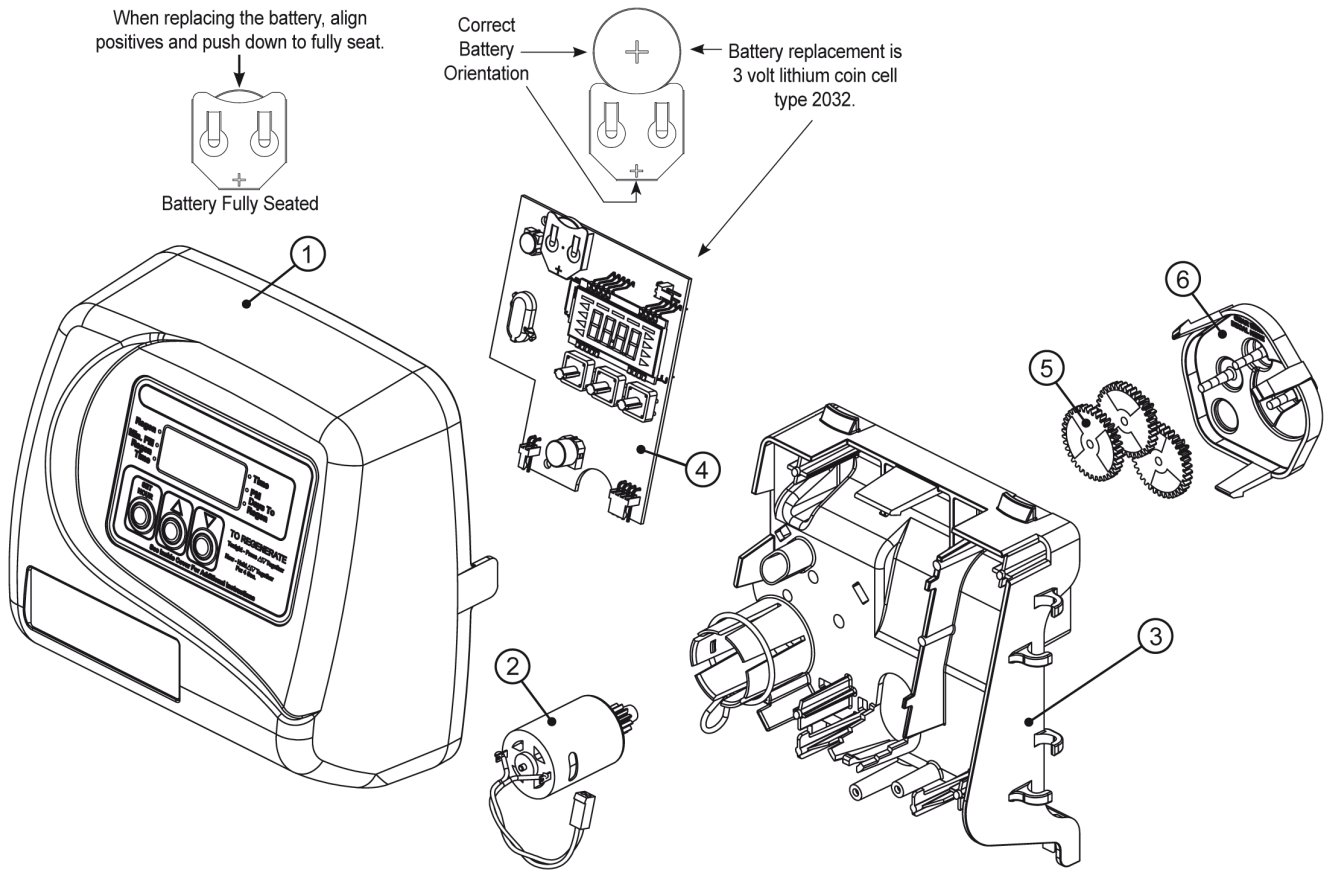
3. SPARE PARTS AND EXPLODED DRAWINGS

SPARES TIMER CI – CM - TWIN



Ref.	Code	Description	€
1	V3175CI-01	Ws1 CI Front Cover Assembly	
1	V3998-01	Ws Cm Front Cover Assembly	
1	V3175CI-01A	WS1CI Front Cover Assy Almond	
2	V3107-01	Ws1 Motor	
3-5-6	V3002-A	Ws1 Drive Bracket & Spring Clip	
4	V3108CI-03BOARD	Ws1 Thru 2 CI Pcb Xmega Repl	
4	V4070CM-BOARD	Ws1 Thru 2 CM Pcb Xmega Repl For CM	
5	V3110	Ws1 Drive Reducing Gear 12X36	
6	V3109	Ws1 Drive Gear Cover	
NS	V3946	Ws Wide Back Plate Cm	
NS	V3178	Ws1 Drive Backplate	
NS	V3186EU	Ws1 Ac Adapter 220-240V-12V Eu	

SPARES TIMER TC

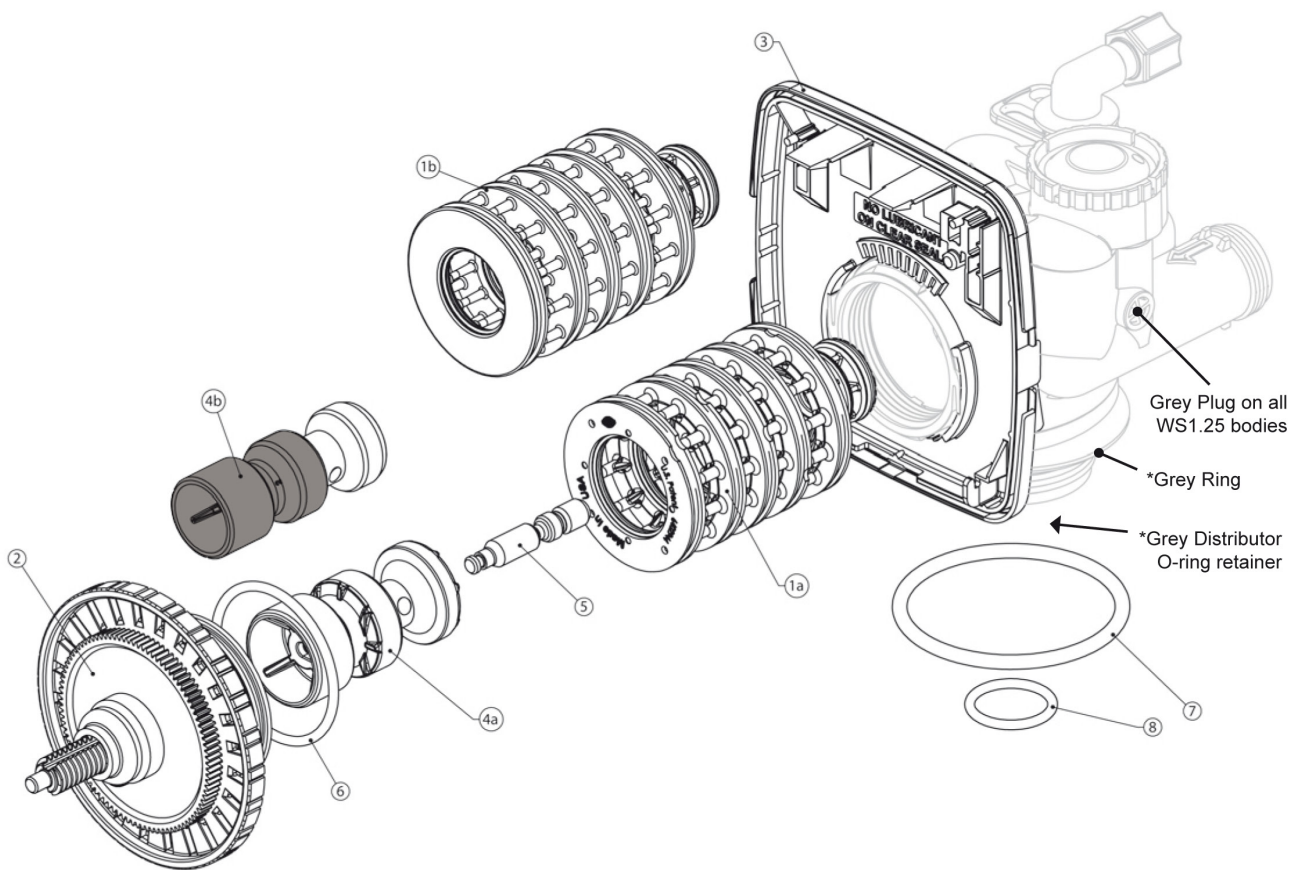


05 . VALVOLE CLACK

Ref.	Code	Description	€
1	V3175TC-01A	Ws1Tc Front Cover Asy Almond	
1	V3175TC-01	Ws1Tc Front Cover Asy Black	
2	V3107-01	Ws1 Motor Asy	
3-5-6	V3200-A	Ws1 Drive Bracket & Spring Clip	
4	V3818TC-BOARD	Ws1Tc Pc Board 4-Digit	
5	V3110	Ws1 Drive Reducing Gear 12 X 36	
6	V3109	Ws1 Drive Gear Cover	
NS	V3186EU	Ws1 Ac Adapter 220-240V-12V Eu	
NS	V3178	Ws1 Drive Backplate	

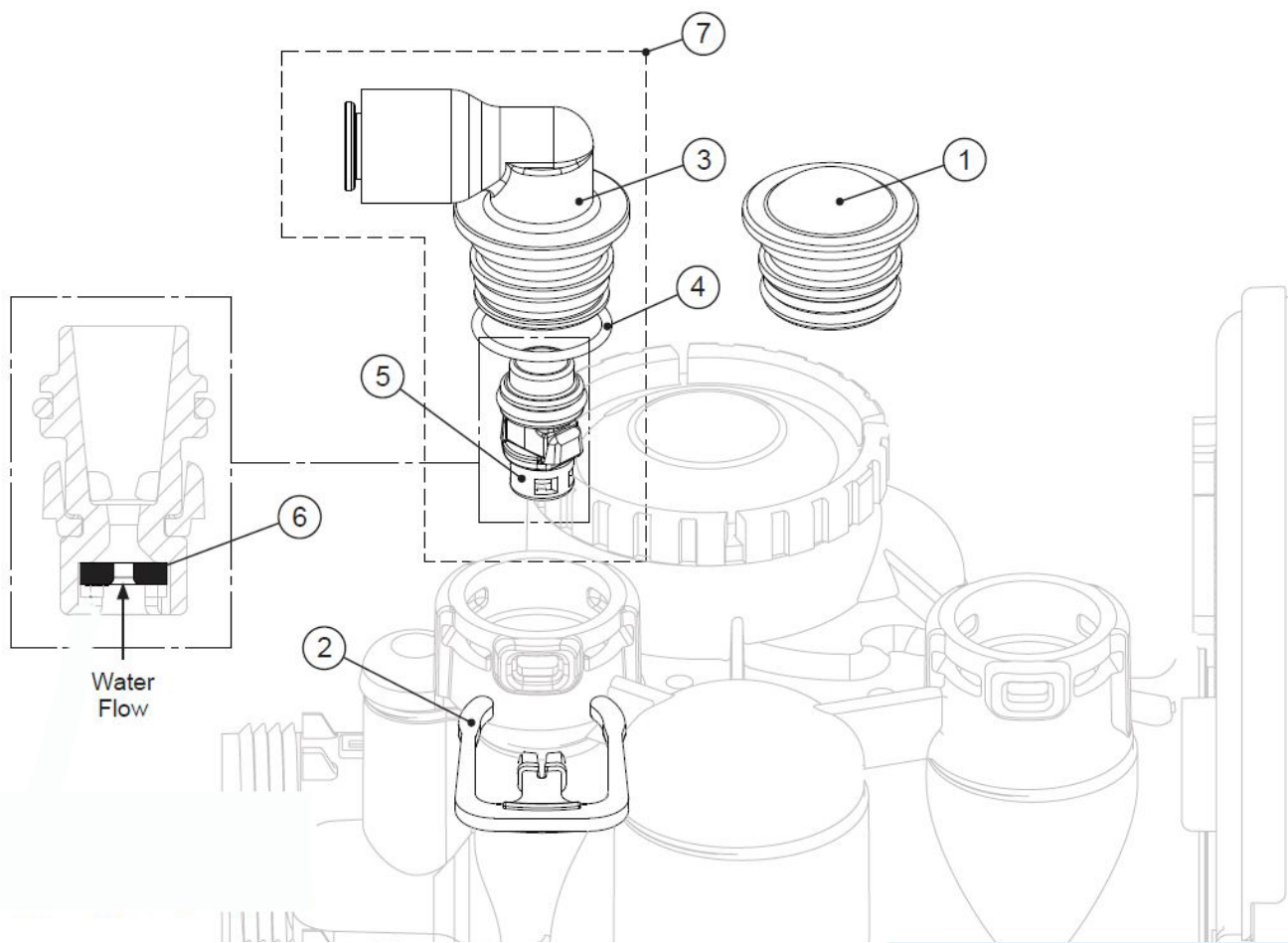
WATERBOOK 2019

SPARES VALVE BODY 1" - 1"1/4 CI - CM



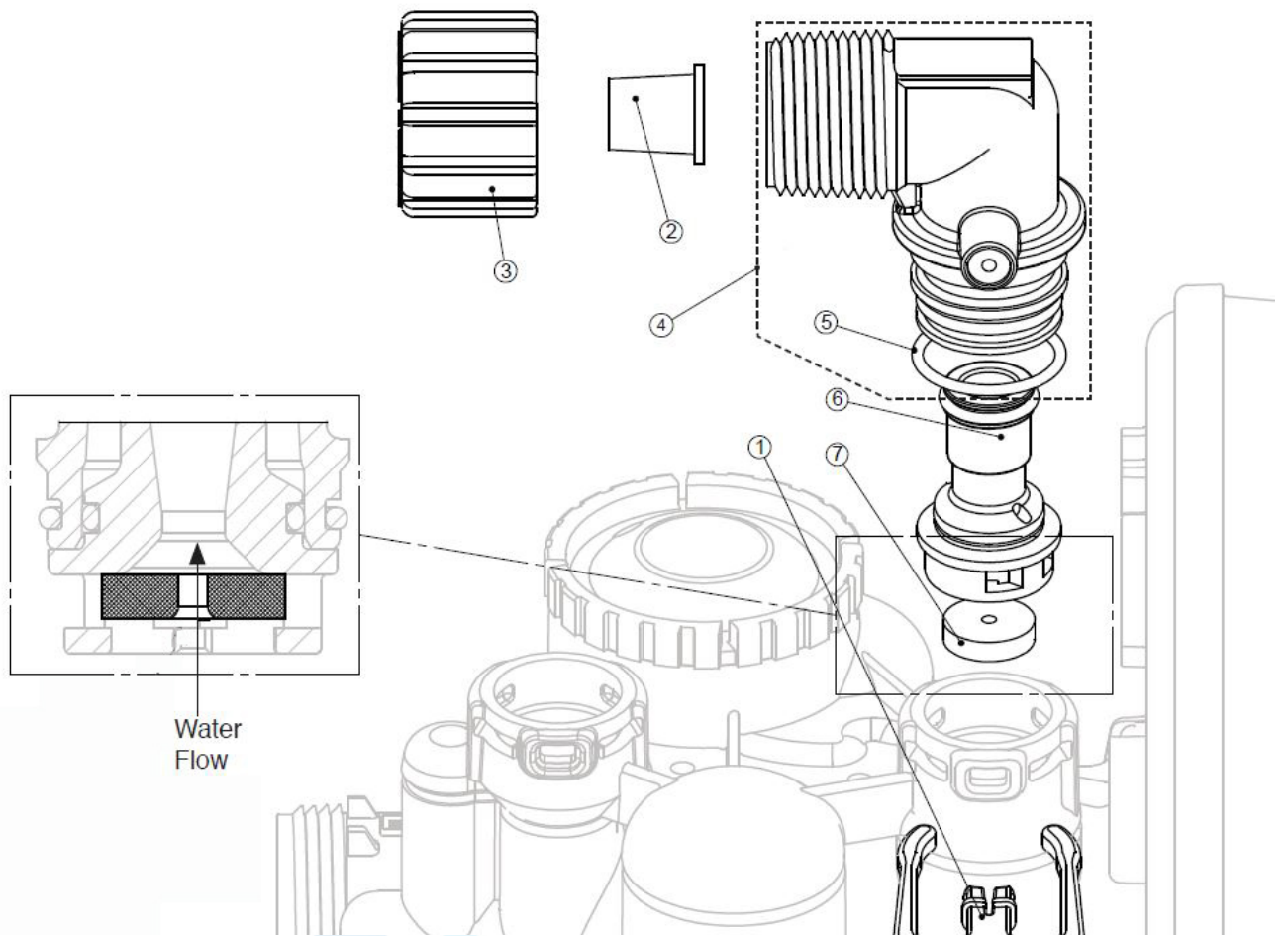
Ref.	Code	Description	€
1b	V3005	Ws1 Spacer Stack Assembly	
1a	V3430	Ws1.5 Spacer Stack Assembly	
2	V3004	Drive Cap Asy	
3	V3178	Ws1 Drive Backplate	
3	V3946	Ws1 Drive Back Plate Cm	
4a	V3407	Ws125/15 Piston Downfl Ow Asy (Amber)	
4a	V3011	Ws1 Piston Downfl Ow Asy	
4b	V3011-01	Ws1 Piston Upfl Ow Asy	
4b	V4042	Ws125/15 Piston Upfl Ow Asy (Black In Color)	
5	V3174	Ws1 Regenerant Piston	
6	V3135	O-Ring 228	
7	V3180	O-Ring 337	
8	V3357	O-Ring 218 (Distributor Tube Opening 32Mm)	
8	V3105	O-Ring 215 (Distributor Tube)	

SPARES SUCTION GROUP FOR VALVE 1" - 1"1/4 CI - CM



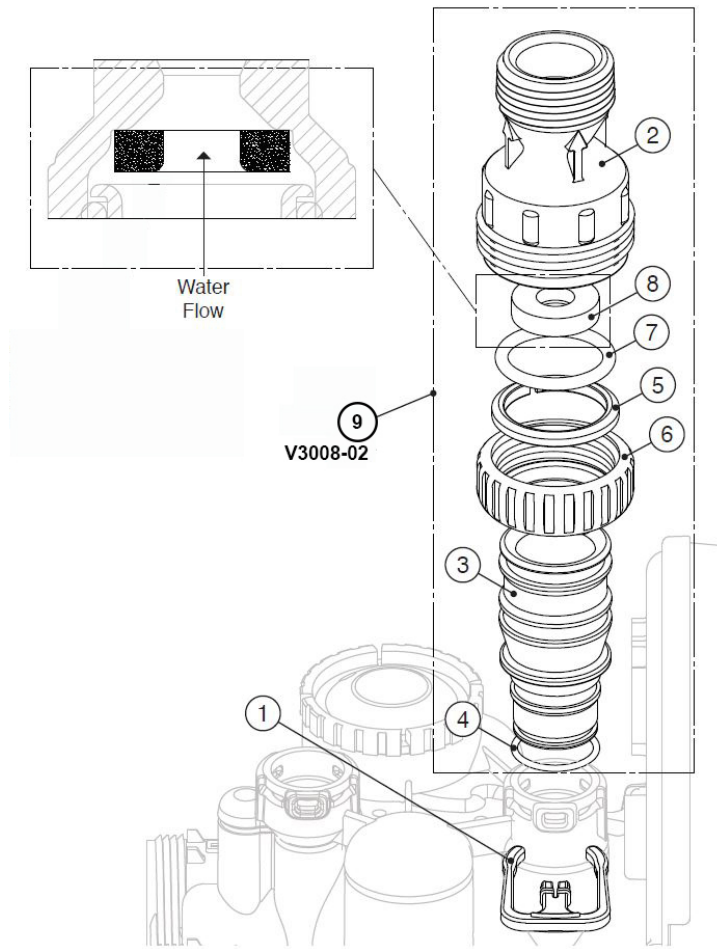
Ref.	Code	Description	€
1	V3195-01	WS1 Refill Port Plug Asy	
2	H4615	Elbow Locking Clip	
3	H4628	Elbow 3/8" Liquifit	
4	V3163	O-ring 019	
5	V3165-01*	WS1 RFC Retainer Asy (0.5 gpm)	
6	V3182	WS1 RFC	
7	V4144-01	Elbow 3/8 Liquifit Asy w/RFC	
NS	V3552	WS1 Brine Elbow Asy w/RFC	

SPARES DRAIN 3/4" FOR VALVE 1" - 1"1/4 CI - CM



Ref.	Code	Description	€
1	H4615	Elbow Locking Clip	
2	PKP10TS8-BULK	Polytube insert 5/8	
3	V3192	WS1 Nut 3/4 Drain Elbow	
4	V3158-01	WS1 Drain Elbow 3/4 Male No Silencer	
5	V3163	O-ring 019	
6	V3159-01	WS1 DLFC Retainer ASY	
	V3162-007	WS1 DLFC 0.7 gpm for 3/4	
	V3162-010	WS1 DLFC 1.0 gpm for 3/4	
	V3162-013	WS1 DLFC 1.3 gpm for 3/4	
	V3162-017	WS1 DLFC 1.7 gpm for 3/4	
	V3162-022	WS1 DLFC 2.2 gpm for 3/4	
	V3162-027	WS1 DLFC 2.7 gpm for 3/4	
7	V3162-032	WS1 DLFC 3.2 gpm for 3/4	
	V3162-042	WS1 DLFC 4.2 gpm for 3/4	
	V3162-053	WS1 DLFC 5.3 gpm for 3/4	
	V3162-065	WS1 DLFC 6.5 gpm for 3/4	
	V3162-075	WS1 DLFC 7.5 gpm for 3/4	
	V3162-090	WS1 DLFC 9.0 gpm for 3/4	
	V3162-100	WS1 DLFC 10.0 gpm for 3/4	

SPARES DRAIN 1" FOR VALVE 1" - 1"1/4 CI - CM

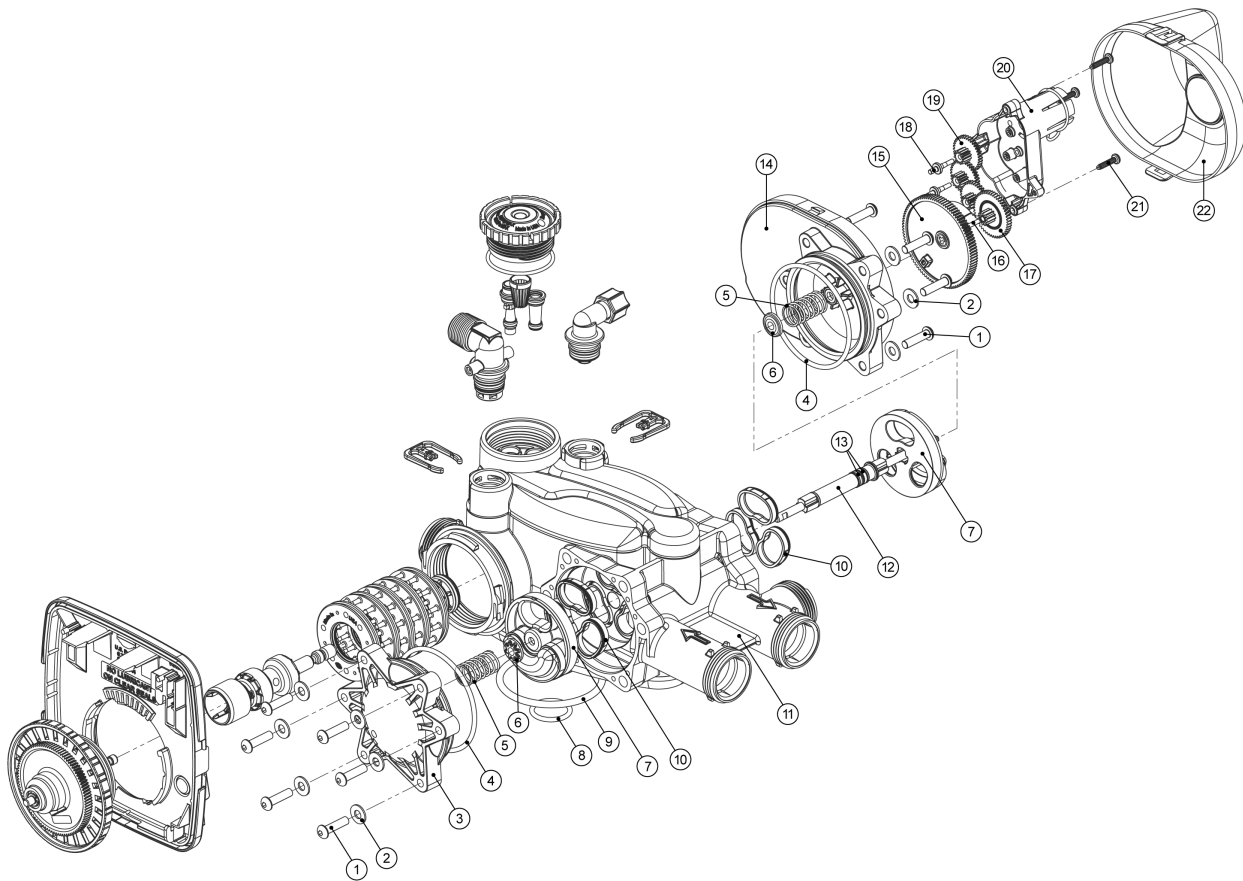


05 . VALVOLE CLACK

WATERBOOK 2019

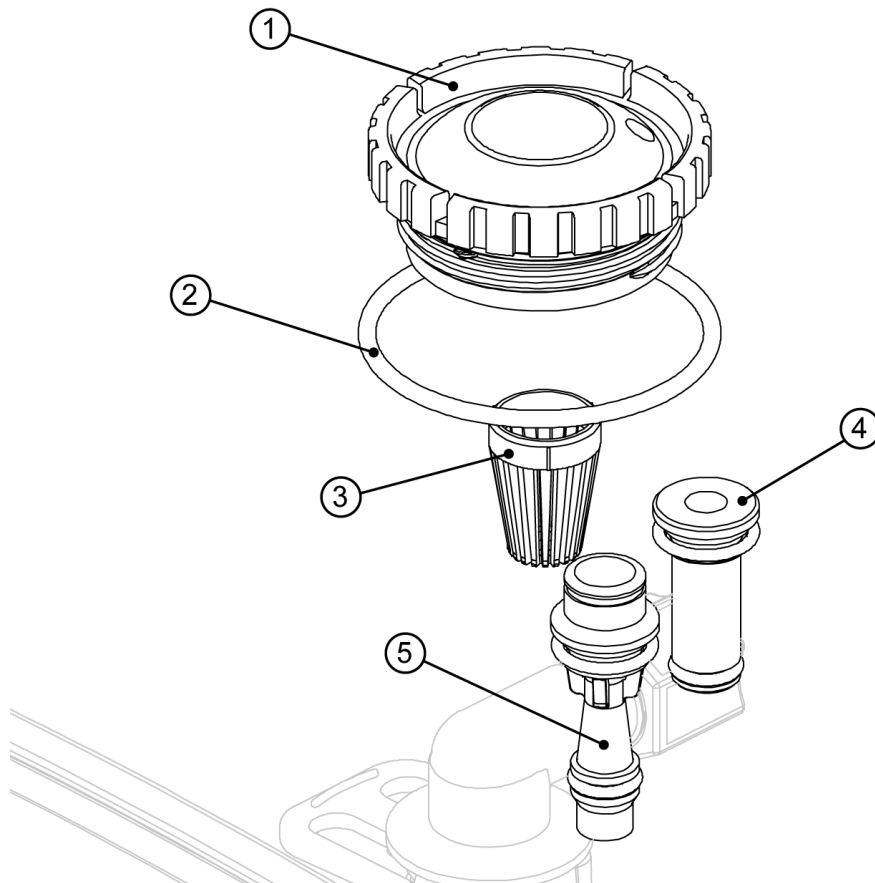
Ref.	Code	Description	€
1	H4615	Elbow Locking Clip	
2	V3166	WS1 Drain FTG Body 1 FTG Flow Control Body Female 1"	
3	V3167	WS1 Drain FTG Adapter 1"	
4	V3163	O-ring 019	
5	V3150	WS1 Split Ring	
6	V3151	WS1 Nut 1" QC	
7	V3105	O-ring 215	
8	V3190-090	WS1 DLFC 9.0 gpm for 1	
	V3190-100	WS1 DLFC 10.0 gpm for 1	
	V3190-110	WS1 DLFC 11.0 gpm for 1	
	V3190-130	WS1 DLFC 13.0 gpm for 1	
	V3190-150	WS1 DLFC 15.0 gpm for 1	
	V3190-170	WS1 DLFC 17.0 gpm for 1	
	V3190-200	WS1 DLFC 20.0 gpm for 1	
9	V3190-250	WS1 DLFC 25.0 gpm for 1	
	V3008-02	WS1 Drain Fitting 1" Straight w/Silencer	

SPARES VALVE BODY TWIN CI - CM



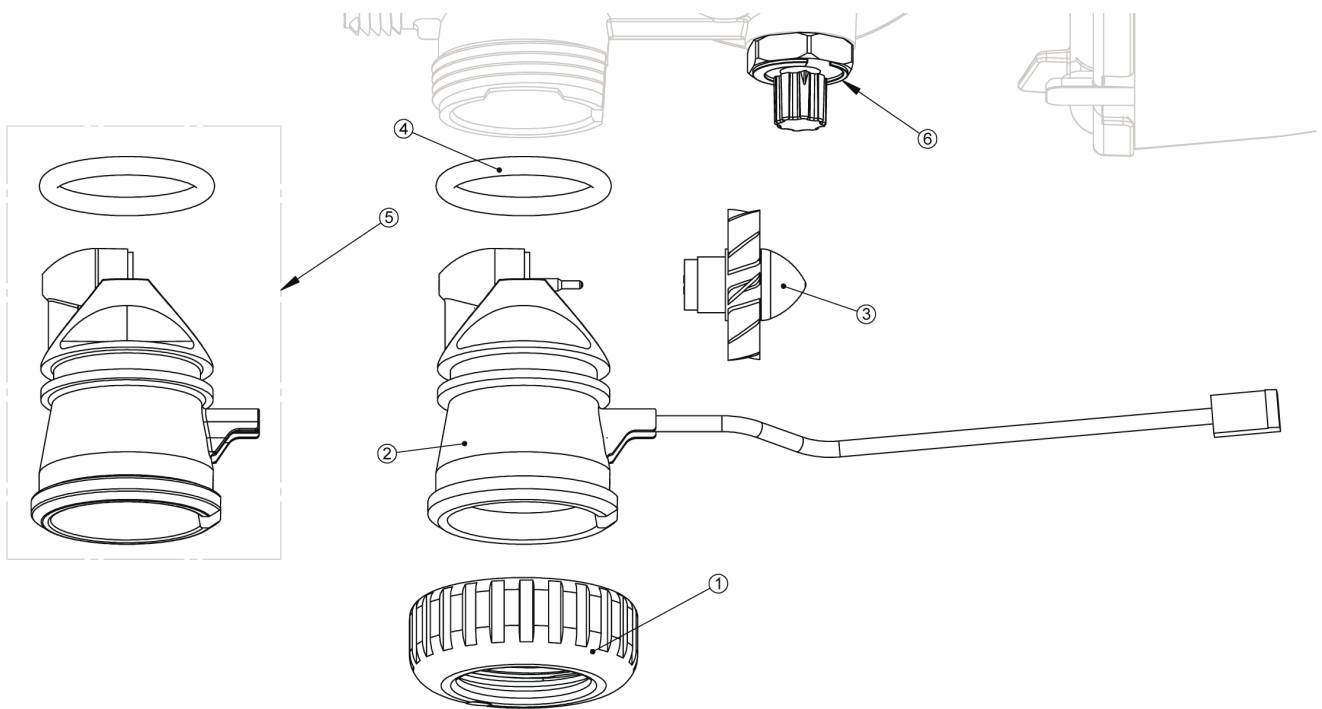
Ref.	Code	Description	€
1	V3470	Screw Bhc 1/4-20 X 1 Ss	
2	V3724	Washer Flat Ss 1/4	
3	V4005-01	T1 Transfer Cap Asy	
4	V4029	O-Ring 236	
5	V4015	T1 Transfer Spring	
6	V4014	T1 Transfer Spring Support	
7	V4036	T1 Rotor Disk Asy	
8	V3105	O-ring 215	
9	V3180	O-ring valve-tank o-ring 337	
10	V4016	T1 Transfer Seal	
11	V3031	T1 Body Sft Wtr Regen	
12	V4023	T1 Transfer Drive Shaft Asy	
13	V3287	O-ring 110	
14	V4006-01	T1 Transfer Drive Cap Asy	
15	V4011-01	T1 Transfer Drive Gear Asy	
16	V4012	T1 Transfer Drive Gear Axle	
17	V4013	T1 Transfer Reduction Gear	
18	V3264	WS2 Reduction Gear Axel	
19	V3110	Transmission gear with mirrors	
20	V3262-01	WS1.5/2 ALT /2 Reduction Gear Cover Assembly	
21	V3592	Screw #8-1 Phpn T-25 Ss	
22	V4049	T1 Cover Assembly	

SPARES INJECTOR GROUP FOR VALVE 1" - 1"¼ - TWIN



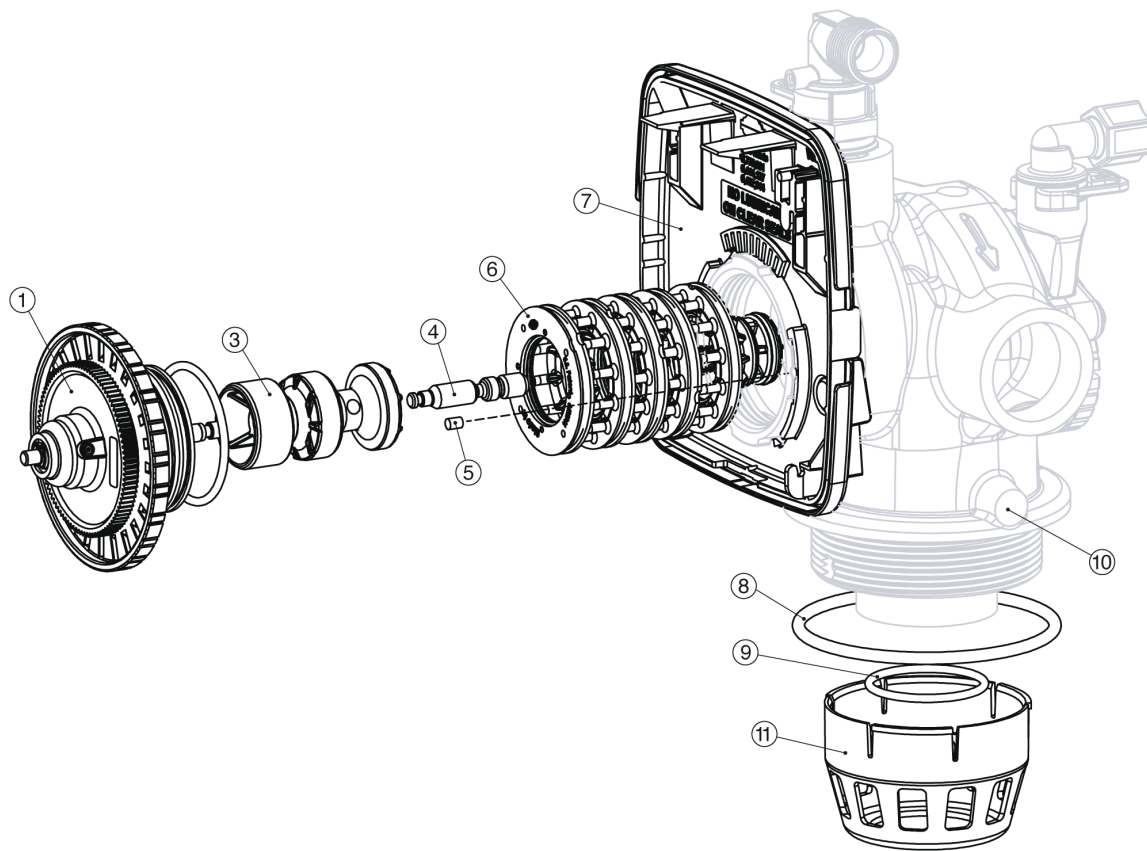
Ref.	Code	Description	€
1	V3176	INJECTOR CAP	
2	V3152	O-RING 135	
3	V3177-01	INJECTOR SCREEN CAGE	
4	V3010-1Z	WS1 INJECTOR ASY Z PLUG	
5	V3010-1A	WS1 INJECTOR ASY A BLACK	
5	V3010-1B	WS1 INJECTOR ASY B BROWN	
5	V3010-1C	WS1 INJECTOR ASY C VIOLET	
5	V3010-1D	WS1 INJECTOR ASY D RED	
5	V3010-1E	WS1 INJECTOR ASY E WHITE	
5	V3010-1F	WS1 INJECTOR ASY F BLUE	
5	V3010-1G	WS1 INJECTOR ASY G YELLOW	
5	V3010-1H	WS1 INJECTOR ASY H GREEN	
5	V3010-1I	WS1 INJECTOR ASY I ORANGE	
5	V3010-1J	WS1 INJECTOR ASY J LIGHT BLUE	
5	V3010-1K	WS1 INJECTOR ASY K LIGHT GREEN	
NS	V3170	O-RING 011	
NS	V3171	O-RING 013	

SPARES TURBIN FOR 1" - 1"¼ - TWIN



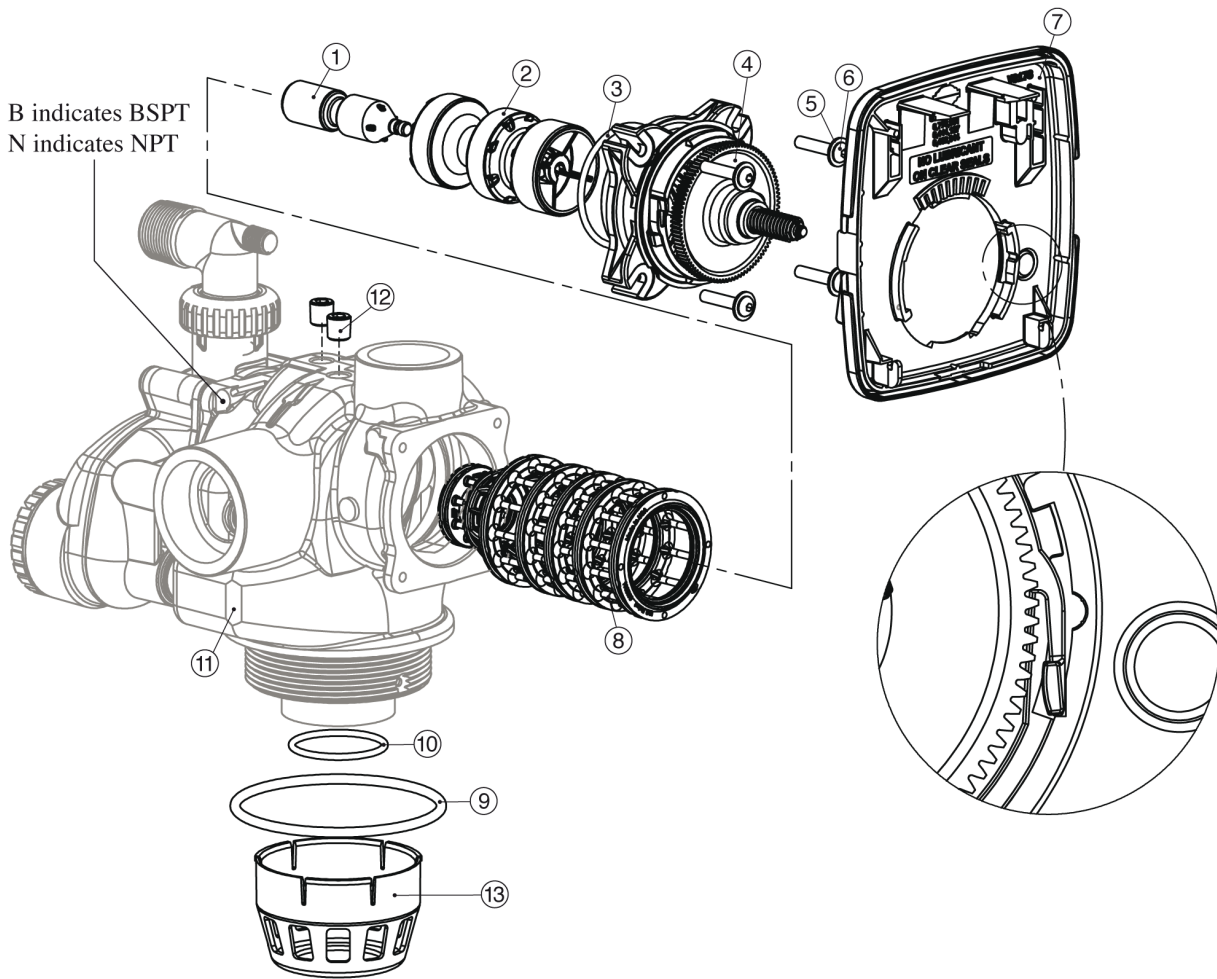
Ref.	Code	Description	€
1	V3151	Ws1 Nut 1" Qc	
2	V3003	Ws1 Meter Asy	
3	V3118-01	Ws1 Turbine Asy	
4	V3105	O-Ring 215	
5	V3003-01	Ws1 Meter Plug Asy	
6	V3013	Mixing Valve	

SPARES VALVE BODY 1"1/2 CI - CM



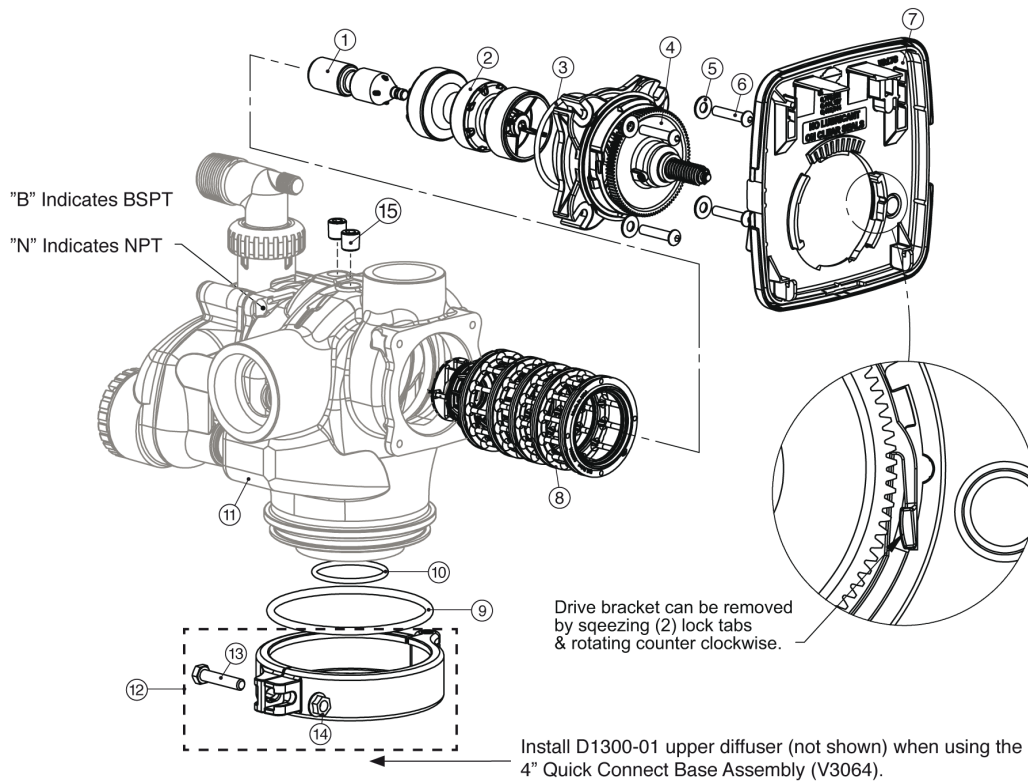
Ref.	Code	Description	€
1	V3004	Ws1 Drive Cap Assembly	
2	V3135	O-Ring 228	
3	V3407	Ws1.25/1.5 Piston Downflow Assembly (Amber In Color)	
3	V4042	Ws1.25/1.5 Piston Upflow Assembly (Black In Color)	
4	V3174	Ws1 Regenerant Piston	
5	V3423	Ws1.5 Backplate Dowel	
6	V3430	Ws1.5 Spacer Stack Assembly	
7	V3178	Ws1 Drive Backplate	
8	V3419	O-Ring 347	
9	V3441	O-Ring 226 For Valve Bodies With Bspt Threads	
11	D1300	Top Baffle Diffuser, 1.5/50Mm	

SPARES VALVE BODY 2" CI - CM



Ref.	Code	Description	€
1	V3726	Ws2 Brine Piston Assembly	
2	V3725	Ws2 Piston Downflow Assembly (Amber In Color)	
2	V4059	Ws2 Piston Upflow Assembly (Black In Color)	
3	V3452	O-Ring 230	
4	V3728	Ws2 Drive Cap Assembly	
5	V3724	Washer Flat Ss 1/4	
6	V3642	Bolt Bhcs Ss 1/4-20 X 1.25	
7	V3178	Ws1 Drive Backplate	
7	V3946	Ws Wide Back Plate Cm	
8	V3729	Ws2 Stack Downflow Assembly (Black In Color)	
8	V3729-01	Ws2 Stack Upflow Assembly (Black And Grey In	
9	V3419	O-Ring 347	
10	V3441	O-Ring 226 For Valve Bodies With Bspt Threads	
13	D1300	Top Baffle Dfsr Clack 1.5/50Mm	

SPARES VALVE BODY 2" QC CI - CM

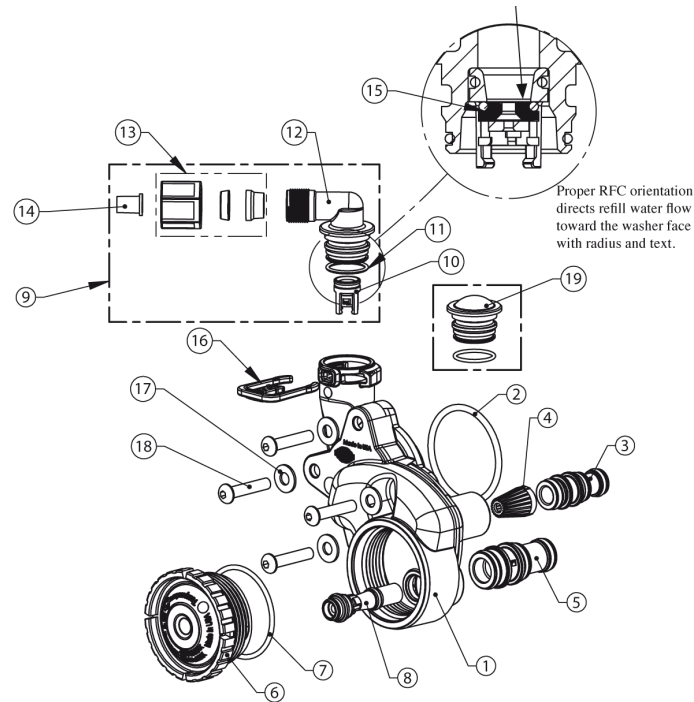


05 . VALVOLA CLACK

WATERBOOK 2019

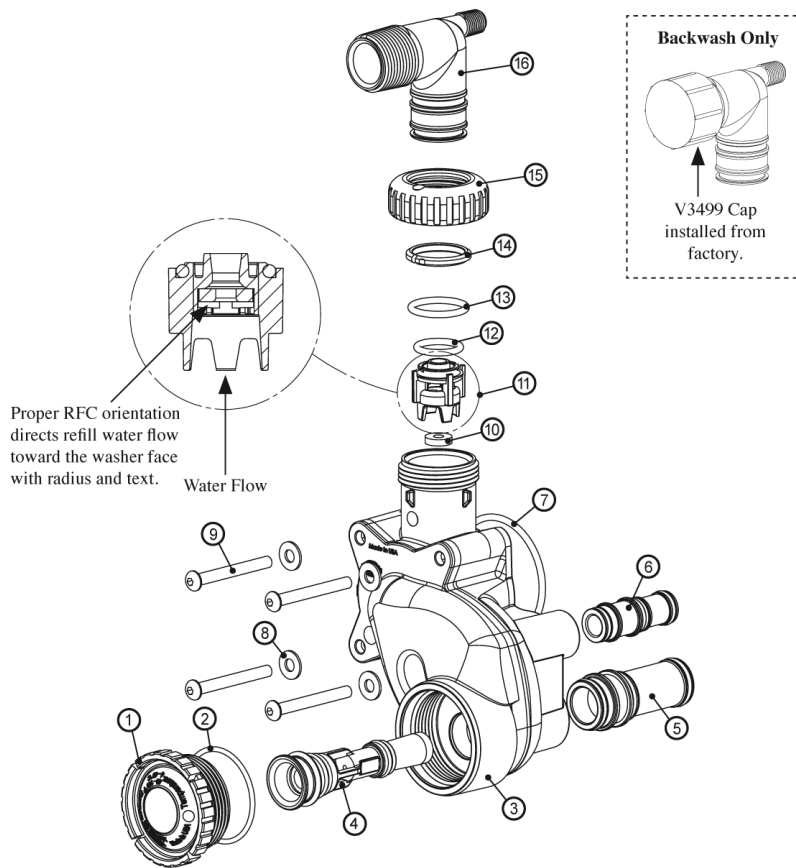
Ref.	Code	Description	€
1	V3726	WS2 Brine Piston Assembly	
1	V3054	WS2 QC/2H 4" Base Clamp Assembly	
2	V3725	WS2 Piston Assy Downflow (color amber)	
2	V4059	WS2 Piston Assembly Upflow (color black)	
3	V3452	O-Ring 230 (Drive Cap Assy)	
4	V3728	WS2 Drive Cap Assembly	
5	V3724	Washer Flat SS 1/4	
6	V3642	Bolt BHCS SS 1/4-20 x 1.25	
7	V3178	Backplate for gears for WS1CI, WS1TC & WS1.5CI	
7	V3946	WS Wide Back Plate CM	
8	V3729	WS2 Stack Assembly Downflow	
8	V3729-01	WS2 Stack Assembly Upflow (color black and gray)	
9	V3279	O-Ring 346 (WS2H Body)	
10	V3280	O-Ring 332	
	V3452	WS2 O-Ring 230	
11	V3737BSPT-01	WS2 Body QC BSPT	
12	V3054	WS2 4" base clamp assembly	
13	V3276	WS2H bolt HEX 5/16 - 18 XI-3/4	
14	V3269	WS2H nut 5/16 - 18 HEX NPT	
15	V3468	WS2H plug 1/4 - 18 SS HEX	
NS	D1300-01	Top Baffle Diffuser 2"/63mm	

SPARE PARTS SUCTION UNIT FOR VALVE 1"½



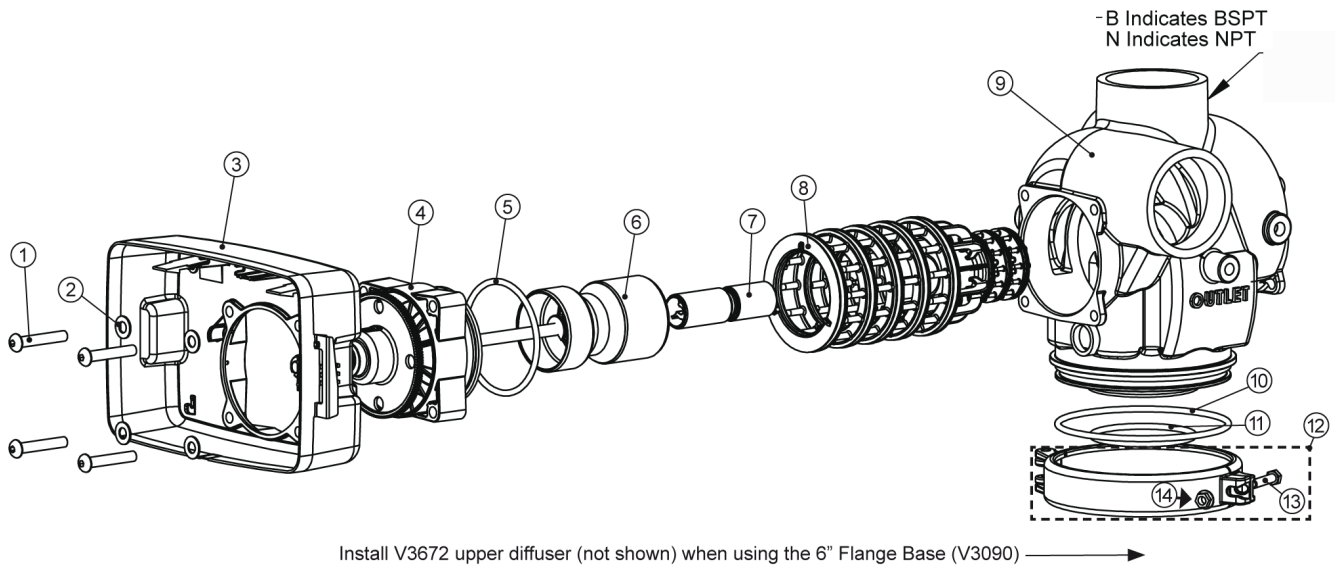
Ref.	Code	Description	€
1	V3967	WS1.5 injector body, welded assembly	
2	V3441	O-ring -226	
3	V3968	WS1.5 injector feed tube downflow (black)	
3	V3968-01	WS1.5 injector feed tube upflow (grey)	
4	V3177-01	WS1 injector screen	
5	V3969	WS1.5 injector draw tube downflow (black)	
5	V3969-01	WS1.5 injector draw tube upflow (grey)	
6	V3176	WS1 injector cap	
7	V3152	O-ring -135	
8	V3010-15D	Injector white for valve 1"1/2 x 14"	
8	V3010-15E	Injector blu for valve 1" 1/2 x 16"	
8	V3010-15F	Injector yellow for valve. 1"1/2 x 18"	
8	V3010-15G	Injector green for valve 1" 1/2 x 21"	
8	V3010-15H	Injector orange for valve 1"1/2 x 24"	
8	V3010-15I	Ws15/2l injector assembly i x 30"	
8	V3010-15Z	Injector blind x ws1.5ci filt	
9	V3498	Ws 1.5 injector refill flow control, 1/2"	
10	V3428	Ws 1.5 refill retainer assembly (0.5 gpm)	
11	V3163	O-ring, -019	
12	H4612	Regenerant elbow w/flow control	
13	JCPG-8PBLK	Nut, compression, 1/2" black	
14	JCP-P-8	Insert, polytube 1/2"	
15	V3182	Refill flow control (0.5 gpm)	
16	H4615	Retaining clip	
17	V3724	Washer, flat stainless steel	
18	V3642	Bolt, bhcs stainless steel 1/4-20x 1 1/4	
19	V3195-01	Refill port plug	

SPARE PARTS SUCTION UNIT FOR VALVE 2"



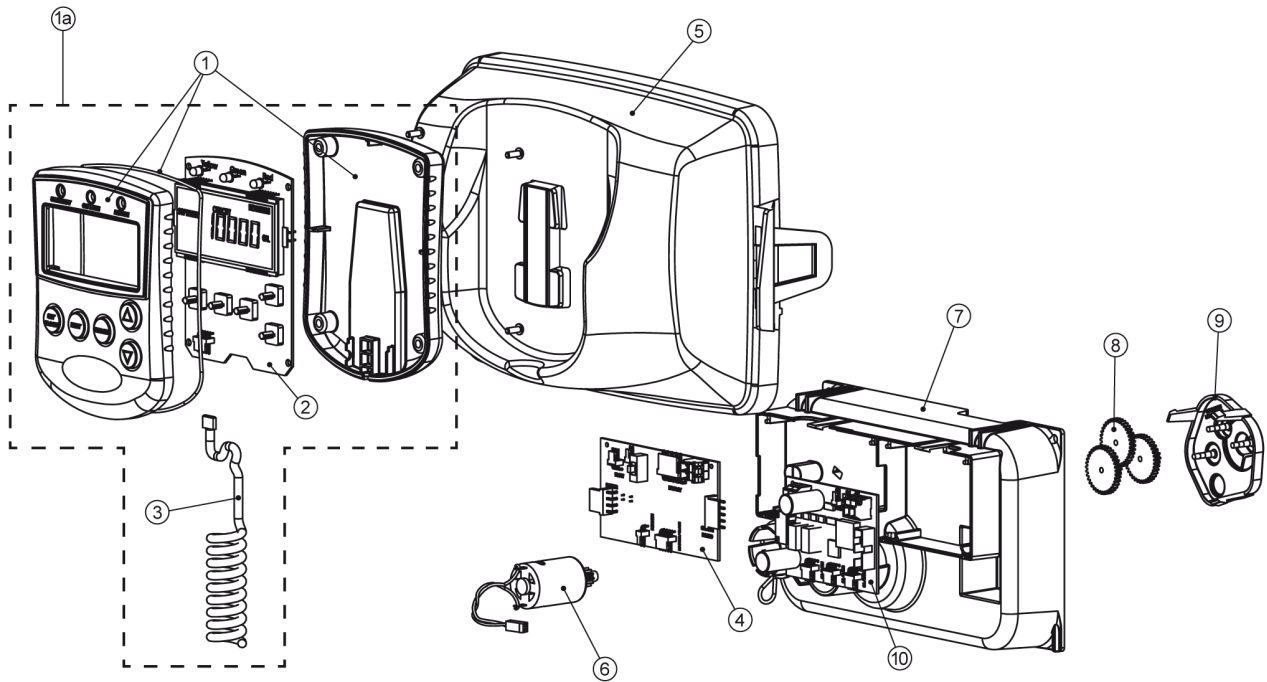
Ref.	Code	Description	€
1	V3477	WS2H/3 Injector Cap Machined	
2	V3152	Injector plug o-ring 135	
3	V3727	WS2 Injector Body Assembly	
4	V3010-2T-15D	WS2/2H/3 Injector Assembly bianco x 14"	
4	V3010-2U-15E	WS2/2H/3 Injector Assembly blu x 16"	
4	V3010-2A	WS2/2H/3 Injector Assembly A x 18"	
4	V3010-2B	WS2/2H/3 Injector Assembly B x 21"	
4	V3010-2C	WS2/2H/3 Injector Assembly C x 24"	
4	V3010-2D	WS2/2H/3 Injector Assembly D x 30"	
4	V3010-2E	WS2/2H/3 Injector Assembly E x 36"	
4	V3010-2F	WS2/2H/3 Injector Assembly F x 42"	
4	V3010-2G	WS2/2H/3 Injector Assembly G x 48"	
5	V3731	WS2 Injetor Draw Tube Assy Downflow (color black)	
5	V3731-01	WS2 Injetor Draw Tube Upflow (color gray)	
6	V3730	WS2 Injetor Feed Tube Assy Downflow (color black)	
6	V3730-01	WS2 Injetor Feed Tube Upflow (color gray)	
7	V3315	O-Ring 231 (WS2H Injector Housing)	
8	V3724	Washer Flat SS 1/4	
9	V3643	Bolt BHCS SS 1/4" 20X2,25	
10	V3162-022	DLFC 2.2 GPM x scarico 3/4	
11	V3231	WS2/2H/3 Refill Flow Control Retainer	
12	V3277	O-Ring 211 (Refill Flow Control Assy)	
13	V3105	O-Ring 215 in-out fitting	
14	V3150	In/out fitting ring	
15	V3151	WS1 Nut 1" QC	
16	V3149	WS1 Fitting 1" PVC Male NPT Elbow	

SPARES VALVE BODY 3"



Ref.	Code	Description	€
1	V3274	WS2 screw BTNSKT HD SS 3/8" - 16X2	
2	V3291	WS2 Washer SS 3/8"	
3	V3225	WS2H/3 Back Plate	
4	V3093	WS3 Drive Assembly	
5	V3289	O-Ring 344 (WS2H/3 Drive Cap)	
6	V3666-01	WS3 Piston	
7	V3238-01	WS2H/3 Brine Piston	
8	V3092	WS3 Stack Assembly	
9	V3667BSPT-03	WS3 BSPT body W/V3465 plug	
10	V3763	O-Ring 361 (WS3 Body)	
11	V3762	O-Ring 341 (For Valve Bodies W/NPT or BSPT Threads)	
12	V3091	WS3 Base Clamp Assembly	
13	V3276	WS2 bolt HEX SS 5/16"-18X1 3/4	
NS	V3672	WS3 Top Baffle Diffuser 3"/90mm	

SPARES TIMER 3"

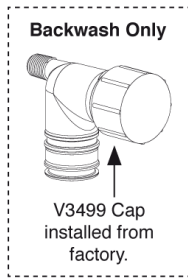


05 . VALVOLE CLACK

WATERBOOK 2019

Ref.	Code	Description	€
1	V3068	WS2 Pod assembly	
1a	V3082	WS2H/3 Pod assy complete w/board	
2	V3241-01BOARD	WS2H/3 PC Board display	
3	V3248	WS2 cable display pod	
4	V3242-01BOARD	WS2H/3 PC Board Valve	
5	V3224-01R	WS2H/3 Front Cover Assembly Platinum	
6	V3107-01	WS1 Motor Assembly	
7	V3226-01	WS2H/3 Drive Bracket Assembly	
8	V3110	WS1 Drive reducing gear decal	
9	V3109	WS1 Drive gear cover	
10	V3243-01BOARD	WS2H/3 PC Board System with Relay	
NS	V3461	WS2H/3 AC 24V Adapter No Cord	

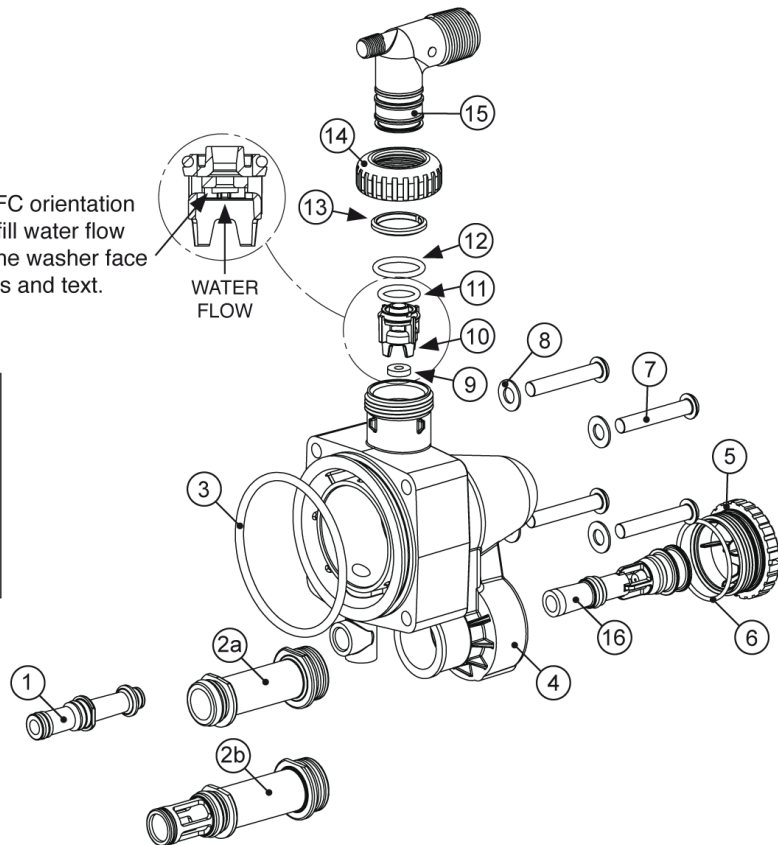
SPARES PARTS SUCTION UNIT FOR VALVE 3"



Proper RFC orientation directs refill water flow towards the washer face with radius and text.

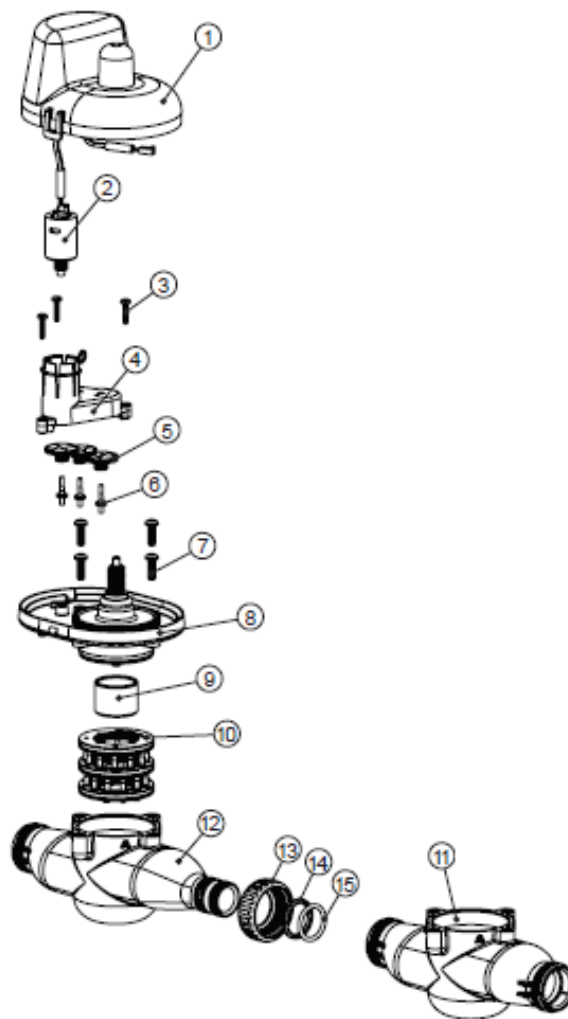


***V3236-01. Could be used "as is" with A-C injectors. Diffuser is snipped off if using D through G injectors. Order V3236-04 if using H injector.



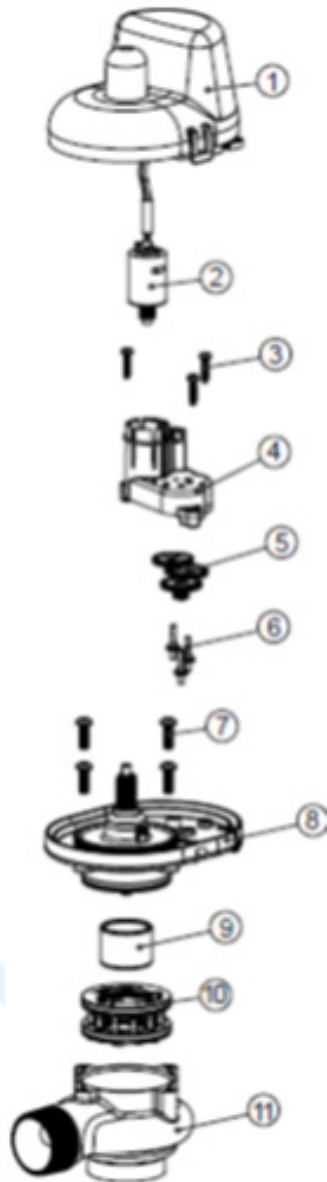
Ref.	Code	Description	€
1	V3237-01	WS2H/3 Soft Water Fill Tube Assembly	
2a	V3236-04	WS2H Injector Tube Assembly A through H	
2b	V3670-01	WS3 Injector Tube Downflow Assembly	
3	V3289	O-ring 344	
4	V3067	WS2H/3 Brine Body Assembly	
5	V3477	WS2H/3 Injector Cap Machined	
6	V3152	Injector plug o-ring 135	
7	V3275	WS2 screw BSHD SS 3/8"-16X2 1/4"	
8	V3291	WS2 Washer SS 3/8"	
9	V3162-022	DLFC 2.2 GPM per scarico 3/4	
10	V3231	WS2/2H/3 Refill Flow Control Retainer	
11	V3277	O-Ring 211 (Refill Flow Control Assy)	
12	V3105	O-Ring 215 in-out fitting	
13	V3150	In/out fitting ring	
14	V3151	Plastic ferrule in/out fitting	
15	V3149	WS1 Fitting 1" PVC Male NPT Elbow	
16	V3010-2A	WS2/2H/3 Injector Assembly A x 18"	
16	V3010-2B	WS2/2H/3 Injector Assembly B x 21"	
16	V3010-2C	WS2/2H/3 Injector Assembly C x 24"	
16	V3010-2D	WS2/2H/3 Injector Assembly D x 30"	
16	V3010-2E	WS2/2H/3 Injector Assembly E x 36"	
16	V3010-2F	WS2/2H/3 Injector Assembly F x 42"	
16	V3010-2G	WS2/2H/3 Injector Assembly G x 48"	
16	V3010-2H	WS2H/3 Injector Assembly grey H x 63"	
NS	V3189	WS1 Fitting 3/4" & 1" PVC Solvent Elbow	
NS	V3499	WS2H/3 Fitting Cap 1" Threaded	
NS	V3797	WS1 Fitting 1" PVC Male BSPT Elbow	

SPARE 2 WAYS VALVE 1" & 1.25" FF FM



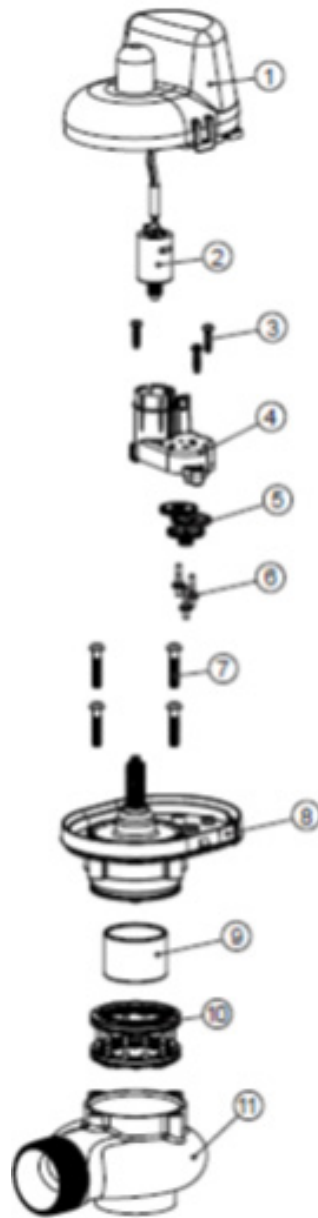
Ref.	Code	Description	€
1	V3073	MAV/NOHWBY COVER ASY	
2	V3476	WS MOTOR ASY 8 FT	
3	V3592	SCREW #8-3/4 PHPN T-25 SS	
4	V3262-01	WS1.5&2ALT/2BY REDUCGEARCVASY	
5	V3110	WS1 DRIVE REDUCING GEAR 12X36	
6	V3264	WS2 BYPASS REDUCTION GEAR AXLE	
7	V3527	SCREW 1/4-20 X 3/4 BHSCS SS	
8	V3072	MAV/NOHWBY 1/125/15 DRIVE ASY	
9	V3506-01	MAV/NOHRD 1/125/15 PISTON	
10	V3074	MAV/NOHWBY 1/125/15 STACK ASY	
11	V3521FF	NOHRD WTR BYPASS BODY ASY F-F	
12	V3521FM	NOHRD WTR BYPASS BODY ASY F-M	
13	V3151	WS1 NUT 1 QC	
14	V3150	WS1 SPLIT RING	
15	V3105	O-RING 215	

SPARE 2 WAYS VALVE 1.5"



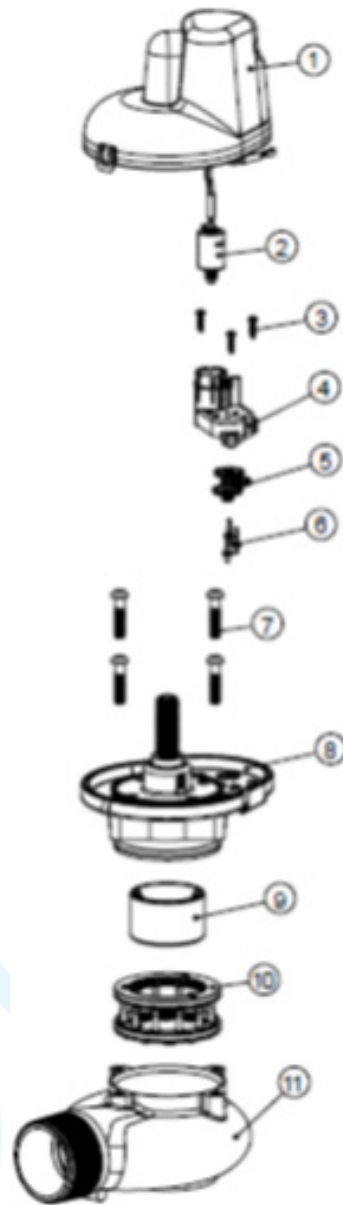
Ref.	Code	Description	€
1	V3073	MAV/NOHWBY COVER ASY	
2	V3476	WS MOTOR ASY 8 FT	
3	V3592	SCREW #8-3/4 PHPN T-25 SS	
4	V3262-01	WS1.5&2ALT/2BY REDUCGEARCV RASY	
5	V3110-01	WS1 DRIVE REDUCING GEAR PLAIN	
6	V3264	WS2 BYPASS REDUCTION GEAR AXLE	
7	V3527	SCREW 1/4-20 X 3/4 BHSCS SS 5/32" (HEX ALLEN WRENCH REQUIRED)	
8	V3072	MAV/NOHWBY 1/125/15 DRIVE ASY	
9	V3506-01	MAV/NOHRD 1/125/15 PISTON	
10	V3886	WS15 NHWBY STACK ASY	
11	V3832BSPT-01	WS15 NHWBY BODY M X F BSPT	
Not Shown	V3805	STRAIN RELIEF COVER KIT	

SPARE 2 WAYS VALVE 2"



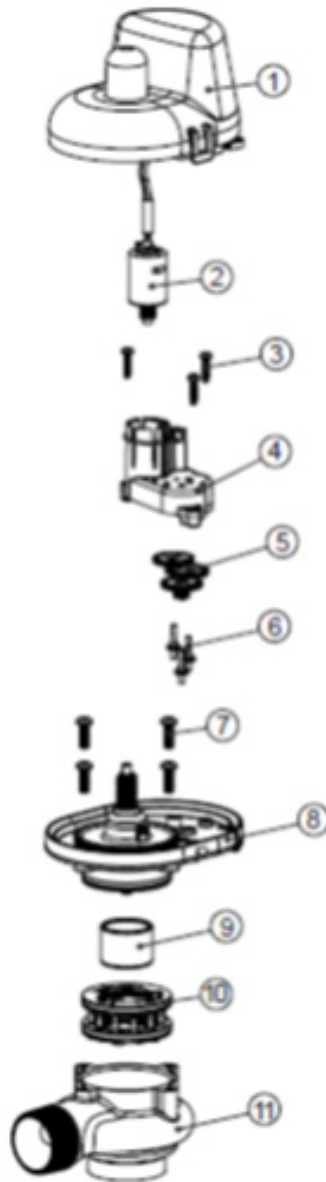
Ref.	Code	Description	€
1	V3073	MAV/NOHWBY COVER ASY	
2	V3476	WS MOTOR ASY 8 FT	
3	V3592	SCREW #8-3/4 PHPN T-25 SS	
4	V3262-01	WS1.5&2ALT/2BY REDUCGEARCVASY	
5	V3110-01	WS1 DRIVE REDUCING GEAR PLAIN	
6	V3264	WS2 BYPASS REDUCTION GEAR AXLE	
7	V3642	SCREW 1/4-20 X 1 1/4 BHSCS SS (5/32" HEX ALLEN WRENCH REQUIRED)	
8	V3078	MAV/NOHWBY 2 DRIVE ASY	
9	V3634-01	MAV/NOHWBY 2 PISTON	
10	V3887	WS2 NHWBY STACK ASY	
11	V3828BSPT-01	WS2 NHWBY BODY M X F BSPT	
Not Shown	V3805	STRAIN RELIEF COVER KIT	

SPARE 2 WAYS VALVE 3"



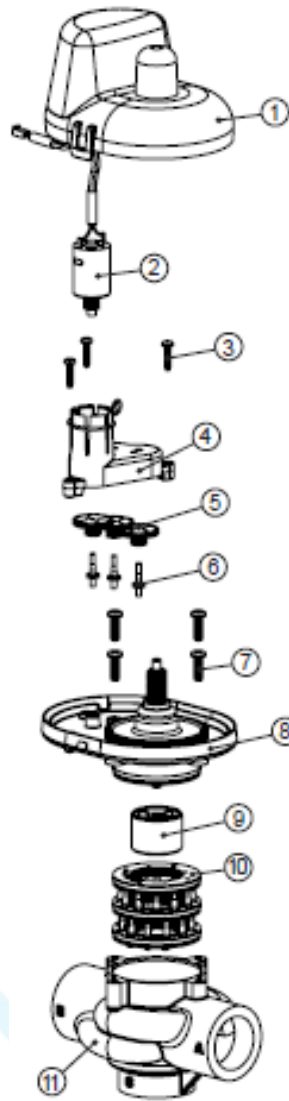
Ref.	Code	Description	€
1	V3696	WS3 MAV COVER	
2	V3476	WS MOTOR ASY 8 FT	
3	V3592	SCREW #8-3/4 PHPN T-25 SS	
4	V3262-01	WS 1.5&2ALT/2BY REDUCGEARCVASY	
5	V3110-01	WS1 DRIVE REDUCING GEAR PLAIN	
6	V3264	WS2 BYPASS REDUCTION GEAR AXLE	
7	V3789	SCREW 3/8-16 X 1.75 BHCS SS (7/32" hex allen wrench required)	
8	V3085	WS3 MAV DRIVE CAP ASY	
9	V3695-01	WS3 MAV PISTON	
10	V3888	WS3 NHWBY STACK ASY	
11	V3830BSPT-01	WS3 NHWBY M X F BODY BSPT	

SPARE 3 WAYS VALVE 1" & 1.25" FF MM



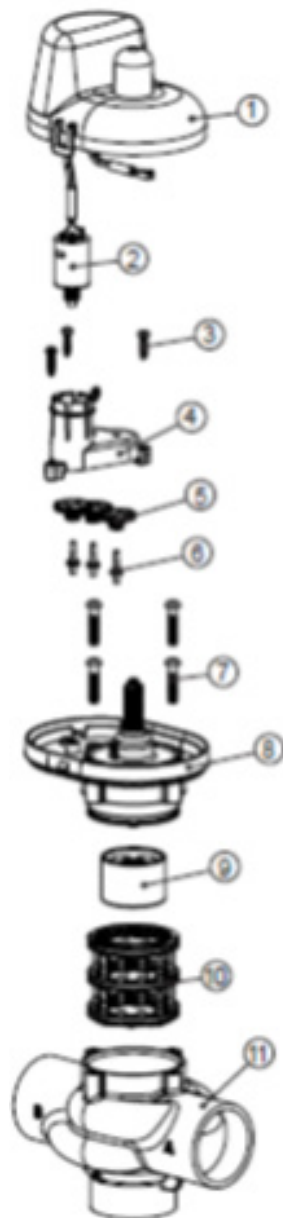
Ref.	Code	Description	€
1	V3073	MAV/NOHWBY COVER ASY	
2	V3476	WS MOTOR ASY 8 FT	
3	V3592	SCREW #8-3/4 PHPN T-25 SS	
4	V3262-01	WS1.5&2ALT/2BY REDUCGEARCVASY	
5	V3110-01	WS1 DRIVE REDUCING GEAR PLAIN	
6	V3264	WS2 BYPASS REDUCTION GEAR AXLE	
7	V3527	SCREW 1/4-20 X 3/4 BHSCS SS	
8	V3072	MAV/NOHWBY 1/125/15 DRIVE ASY	
9	V3506-01	MAV/NOHRD 1/125/15 PISTON	
10	V3074	MAV/NOHWBY 1/125/15 STACK ASY	
11	V3504FF	MAV BODY 1/125 ASY F-F	
12	V3504MM	MAV BODY 1/125 ASY M-M	
13	V3151	WS1 NUT 1 QC	
14	V3150	WS1 SPLIT RING	
15	V3105	O-RING 215	
Not Shown	V3474	WS ALT MAV 1/125 CORD 8FT BLK	

SPARE 3 WAYS VALVE 1.5" 3H



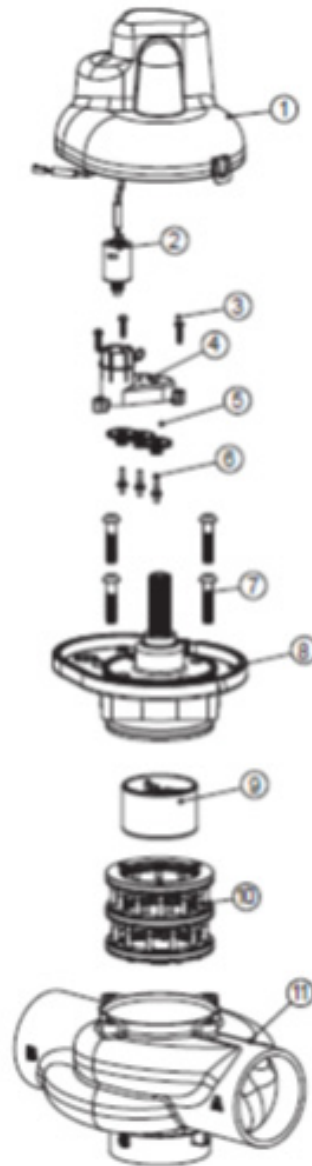
Ref.	Code	Description	€
1	V3073	MAV/NOHWBY COVER ASY	
2	V3476	WS MOTOR ASY 8 FT	
3	V3592	SCREW #8-3/4 PHPN T-25 SS	
4	V3262-01	WS1.5&2ALT/2BY REDUCGEARCVASY	
5	V3110-01	WS1 DRIVE REDUCING GEAR PLAIN	
6	V3264	WS2 BYPASS REDUCTION GEAR AXLE	
7	V3527	SCREW 1/4-20 X 3/4 BHSCS SS	
8	V3072	MAV/NOHWBY 1/125/15 DRIVE ASY	
9	V3506-01	MAV/NOHRD 1/125/15 PISTON	
10	V3074	MAV/NOHWBY 1/125/15 STACK ASY	
12	V3525BSPT-01	MAV BODY 1.5 BSPT	
Not Shown	V3474	WS ALT CONNECT CORD 8FT BLK	

SPARE 3 WAYS VALVE 2"



Ref.	Code	Description	€
1	V3073	MAV/NOHWBY COVER ASY	
2	V3476	WS MOTOR ASY 8 FT	
3	V3592	SCREW #8-3/4 PHPN T-25 SS	
4	V3262-01	WS1 .5&2ALT/2BY REDUCGEARCV RASY	
5	V3110-01	WS1 DRIVE REDUCING GEAR PLAIN	
6	V3264	WS2 BYPASS REDUCTION GEAR AXLE	
7	V3527	SCREW 1/4-20 X 3/4 BHSCS SS	
8	V3078	MAV/NOHWBY 2 DRIVE ASY	
9	V3634-01	MAV/NOHWBY 2 PISTON	
10	V3077	MAV/NOHWBY 2 STACK ASY	
11	V3633BSPT-01	WS2 MAV BODY BSPT	
Not Shown	V3474	WS ALT CONNECT CORD 8FT BLK	

SPARE 3 WAYS VALVE 3"



Ref.	Code	Description	€
1	V3696	WS3 COVER ASY	
2	V3476	WS MOTOR ASY 8 FT	
3	V3592	SCREW #8-3/4 PHPN T-25 SS	
4	V3262-01	WS1.5,2,3 REDUCGEARCVASY	
5	V3110-01	WS DRIVE REDUCING GEAR PLAIN	
6	V3264	WS BYPASS REDUCTION GEAR AXLE	
7	V3789	SCREW 3/8-16 x 1 3/4 BHSCS SS 7/32" hex allen wrench required)	
8	V3085	WS3 MAV DRIVE CAP	
9	V3695-01	MAV/3" PISTON	
10	V3084	MAV/STACK ASY 3"	
11	V3693BSPT-01	WS3 MAV BODY BSPT	
Not Shown	V3474	WS ALT CONNECT CORD 8FT BLK	

ADJUSTMENT TABLE FOR WATER SOFTENER

For Up-Flow versions, scale the injector by two sizes

WS1 & WS1.25 Twin Injectors			DLFC GPM
		Tank Diameter	
Injector	Injector Color	Downflow	
V3010-1A	Black	6"	1
V3010-1B	Brown	7"	1,3
V3010-1C	Violet	8"	1,7
V3010-1D	Red	9"	2,2
V3010-1E	White	10"	2,7
V3010-1F	Blue	12"	3,2
V3010-1G	Yellow	13"	4,2
V3010-1H	Green	14"	5,3
V3010-1I	Orange	16"	7,5
V3010-1J	Light Blue	18"	9
V3010-1K	Light Green	21"	10

WS1.5 Injectors			
		Tank Diameter	
Injector	Injector Color	Downflow	
V3010-15D	White	14"	5,3
V3010-15E	Blue	16"	7,5
V3010-15F	Yellow	18"	9
V3010-15G	Green	21"	10
V3010-15H	Orange	24"	17
V3010-15I	GREY (Machined)	30"	25

WS2 & WS2 QC Injectors			
		Tank Diameter	
Injector	Injector Color	Downflow	
V3010-2R-15B	Violet	12"	3,2
V3010-2S-15C	Red	13"	4,2
V3010-2T-15D	White	14"	5,3
V3010-2U-15E	Blue	16"	7,5
V3010-2A	Black	18"	9
V3010-2B	Black	21"	10
V3010-2C	Black	24"	17
V3010-2D	Black	30"	25
V3010-2E	Black	36"	35
V3010-2F	Black	42"	50
V3010-2G	Black	48"	70

WS3 Injectors			
		Tank Diameter	
Injector	Injector Color	Downflow	
V3010-2A	Black	18"	9
V3010-2B	Black	21"	10
V3010-2C	Black	24"	17
V3010-2D	Black	30"	25
V3010-2E	Black	36"	35
V3010-2F	Black	42"	50
V3010-2G	Black	48"	70
V3010-2H	GREY (Machined)	63"	100





06



FLECK VALVES

Fleck accessories | Fleck spare parts

1. FLECK

RESIDENTIAL VALVE 4600 MECHANIC AND 4600 ELECTRONICS SXT	158
RESIDENTIAL VALVE 5600 MECHANIC AND 5600 ELECTRONICS SXT	159
TWIN VALVE 9000 MECHANIC TIMER AND SXT TIMER	160
TWIN VALVE 9100 SXT TIMER	161
TWIN VALVE 9500 MECHANIC TIMER AND SXT TIMER	162
INDUSTRIAL VALVE 2750 SXT TIMER	163
INDUSTRIAL VALVE 2850 SXT TIMER	164
INDUSTRIAL VALVE 2910 SXT TIMER	165
INDUSTRIAL VALVE 3150 SXT TIMER	166
INDUSTRIAL VALVE 3900 SXT TIMER	167

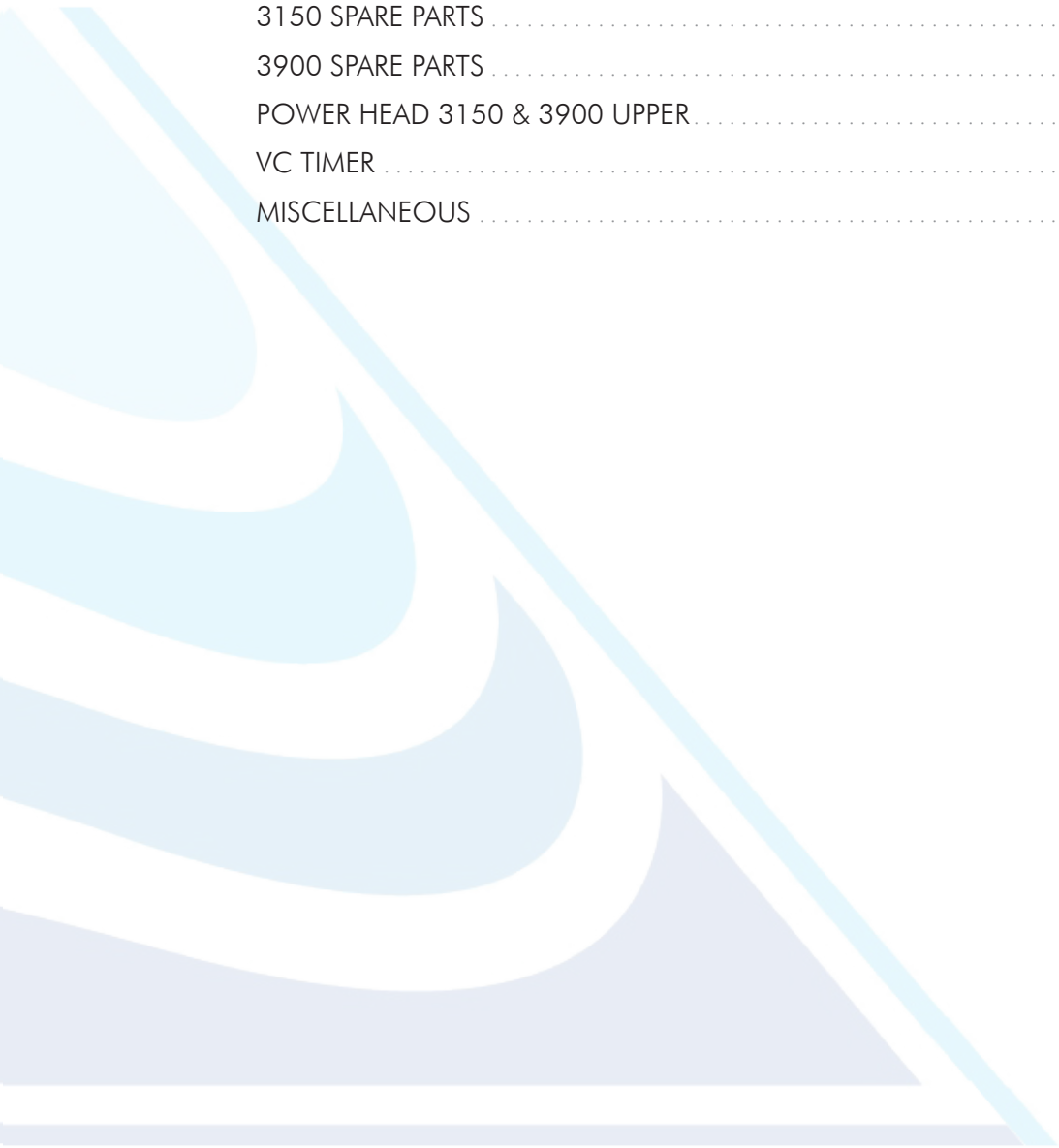
2. FLECK ACCESSORIES

YOKES	168
IN/OUT CONNECTIONS	168
BY-PASS	168
SAFETY BRINE VALVES	169
AIR CHECKS	169
DISTRIBUTOR TUBES	170
BOTTOM DISTRIBUTOR	170
TUBIES	170
INLINE METERS FOR SXT, ET, NXT	170
METERS	170
VARIOUS	170

3. SPARE FLECK

POWER HEAD 5000 SXT	171
4600 SPARE PARTS	171
5600 SXT SPARE PARTS	172
POWER HEAD RESIDENTIAL	173
POWER HEAD 5600 SXT	174
POWER HEAD 5000 SXT	175
5000 SXT SPARE PARTS	175
POWER HEAD 5800	176
5800 SPARE PARTS	176
POWER HEAD 6600	177
POWER HEAD 6700	177
6600/6665 & 6700/6765 SPARE PARTS	178
POWER HEAD 7700	178
7700 SPARE PARTS	179

9000 SPARE PARTS	180
9100 SPARE PARTS	181
9500 SPARE PARTS	182
2510 SPARE PARTS	184
2750 SPARE PARTS	185
2850 SPARE PARTS	187
POWER 2910 ADAPTER	188
2910 SPARE PARTS	189
3150 SPARE PARTS	192
3900 SPARE PARTS	193
POWER HEAD 3150 & 3900 UPPER	194
VC TIMER	196
MISCELLANEOUS	198



1. FLECK



RESIDENTIAL VALVE 4600 MECHANIC AND 4600 ELECTRONICS SXT

Technical features

- Service @ 1 bar drop 4,5 m³/h
- Backwash @ 1.8 bar drop 1,6 m³/h
- Mounting Base: 2" 1/2 8 NPSM
- IN/OUT connections: 1", on demand 3/4"
- Operating pressures Min/Max 1,4 bar - 8,5 bar
- Operating temperatures Min/Max 4°C - 82°C (65°C volumetric version)
- Voltage 230 VAC
- Frequency 50 Hz
- Valve Material: Brass
- Water Softener 6"-12"

Accessories included in softening version

- Distributor pipe HW Ø 27 x 1950 – Code FLA21675
- Air Check HW 3/8" - Code FLA23473
- Brass Yoke 1" - Code FLA13398-10

VALVE 4600 MECHANIC WITH ACCESSORIES

Valve for hot water applications. The valve body is made of brass. The volumetric version can be used with water up to 65 °C.

The chronometric version can be used up to 82 °C

- Adjustable brine
- Start regeneration Chronometric: 12 days
- Start regeneration Volumetric: delayed



Code	Description	€
FL46001602	Valve 4600/1600 hot water 82°C complete	
FL46001606	Valve 4600/1600 3/4" Volumetric 8 m3 hot water 65°C complete	

VALVE 4600 ELECTRONICS SXT WITH ACCESSORIES

Valve for hot water applications. The valve body is made of brass, ideal for softening and filtration applications, with a fully programmable electronic board for regenerative cycle control and regeneration start.

- Backlit display
- Complete programmability of the regenerative cycle
- Start of regeneration: chronometric, volumetric immediate, volumetric delayed, manual service and self-diagnosis indicators
- Advanced programming options, including the possibility of programming up to 6 regeneration cycles with independent time adjustment
- Possibility of double backwashing



Code	Description	€
FL46001612	Valve Fleck 4600/1600 SXT hot water 82°C complete	

RESIDENTIAL VALVE 5600 MECHANIC AND 5600 ELECTRONICS SXT

Technical features

- Service @ 1 bar drop 4,5 m³/h
- Backwash @ 1.8 bar drop 1,6 m³/h
- Mounting Base: 2" ½ 8 NPSM
- IN/OUT connections: 1", on demand ¾"
- Operating pressures Min/Max 1,4 bar - 8,5 bar
- Operating temperatures Min/Max 4°C - 43°C
- Voltage 230 VAC or transformer 230-24 VAC
- Motor power supply 230 Vac or 24 Vac
- Frequency 50 Hz
- Valve Material: Noryl™
- Water Softener 6"-12" (1600)
- Water Softener 6"-10"

Accessories included in softening version

- Distributor pipe Ø 27 x 1160 mm - Code ARI00364
- Bottom distributor Ø 27 - Code ARI00355
- Yoke brass 1" - Code FLA13398-10
- Air Check 3/8" - Code FLA18168

Accessories included in filter version

- Distributor pipe Ø 27 x 1160 mm - Code ARI00364
- Bottom distributor Ø 27 - Code ARI00355
- Yoke brass 1" - Code FLA13398-10

RESIDENTIAL VALVE 5600 MECHANICS WITH ACCESSORIES

Residential plastic valve, for softening and filtration applications, with volumetric and chronometric regeneration starting.

- Adjustable brine
- Start regeneration Chronometric: 12 days
- Start regeneration Volumetric: delayed

Code	Description	€
FL56001601	Valve 5600/1600 220V complete	
FL56001605	Valve 5600/1600 ¾" Volume 8 m3 220V complete	

RESIDENTIAL VALVE 5600 ELECTRONICS SXT WITH ACCESSORIES

Residential plastic valve, for softening and filtration applications, with fully programmable electronic card for regenerative cycle control and regeneration start.

- Backlit display
- Complete programmability of the regenerative cycle
- Start of regeneration: chronometric, volumetric immediate, volumetric delayed, manual
- Service and self-diagnosis indicators
- Advanced programming options, including the chance to program up with 6 regeneration cycles with independent time adjustment
- Possibility of double backwashing

Code	Description	€
FL56001616	Valve 5600/1600 SXT complete	
FL56001621	Valve 5600/1600 SXT ¾" Volume complete	
FL5600SXTF	Valve 5600/1600 SXT filter complete	



TWIN VALVE 9000 MECHANIC TIMER AND SXT TIMER

Technical features

- Service 3/4" valve @ 1 bar drop 4,0 m³/h
- Service 1" valve @ 1 bar drop 4,7 m³/h
- Backwash @ 1.8 bar drop 1,9 m³/h
- IN/OUT connections: 3/4" or 1"
- Mounting Base: 2" 1/2 8 NPSM
- Operating pressures Min/Max 1,8 bar - 8,5 bar
- Operating temperatures Min/Max 4°C - 43°C
- Voltage 230 VAC or transformer 230-24 VAC
- Frequency 50 Hz
- Valve Material: brass
- Water Softener 6"-16" (1600)

Accessories included in softening version

- Distributor pipe Ø 27 x 1600 mm - Code ARI00365
- Bottom distributor Ø 27 - Code ARI00355
- Yoke brass 1" - Code FLA13398-10
- Air Check 3/8" - Code FLA18168

VALVE 9000 MECHANIC TIMER WITH ACCESSORIES

Industrial valve with brass body for softening applications with alternating service and immediate volumetric regeneration.

- Regeneration with softened water
- Volumetric regeneration start: Immediate

Code	Description	€
FL90001605	Valve 9000/1600 3/4" Volume 8 m ³	
FL90001606	Valve 9000/1600 3/4" Volume 40 m ³	
FL90001610	Valve 9000/1600 1" Volume 20 m ³	



VALVE 9000 ELECTRONICS CONTROLLER SXT WITH ACCESSORIES

Industrial valve with Brass body for softening applications with alternating service and immediate volumetric regeneration. Operation is completely managed by the fully programmable electronic board.

- Regeneration with softened water
- Start Volumetric regeneration: Immediate

Code	Description	€
FL90001616	Valve 9000/1600 SXT 3/4" Volume complete	



TWIN VALVE 9100 SXT TIMER

Industrial valve with plastic body for softening applications with alternating service and immediate volumetric regeneration. Operation is completely managed by the fully programmable electronic board.

- Backlit display
- Complete programmability of the regenerative cycle
- Immediate volumetric regeneration
- Regeneration with softened water

Technical features

- Service 3/4" valve @ 1 bar drop 4,0 m³/h
- Service 1" valve @ 1 bar drop 4,4 m³/h
- Backwash @ 1.8 bar drop 1,9 m³/h
- Mounting Base: 2" 1/2 8 NPSM
- IN/OUT connections: 3/4" or 1"
- Operating pressures Min/Max 1,8 bar - 8,5 bar
- Operating temperatures Min/Max 4°C - 43°C
- Voltage 230 VAC or transformer 230-24 VAC
- Frequency 50 Hz
- Motor power supply 24 Vac
- Valve Material: Noryl™
- Water Softener 6"-16" (1600)

Accessories included in softening version

- Distributor pipe Ø 27 x 1600 mm - Code ARI00365
- Bottom distributor Ø 27 - Code ARI00355
- Yoke brass 1" - Code FLA13398-10
- Air Check 3/8" - Code FLA18168

Valve 9100 with accessories

Code	Description	€
FL91001616	Valve 9100/1600 SXT 3/4" Volume complete	



TWIN VALVE 9500 MECHANIC TIMER AND SXT TIMER

Technical features

- Service @ 1 bar drop 8,4 m³/h
- Backwash @ 1.8 bar drop 3,3 m³/h
- IN/OUT connections: 1.5"
- Mounting Base: 4" 8 UN
- Operating pressures Min/Max 1,8 bar - 8,5 bar
- Operating temperatures Min/Max 4°C - 43°C
- Voltage 230 VAC
- Motor power supply 24 Vac
- Frequency 50 Hz
- Valve Material: Brass
- Water Softener 14"-16" (1600) 18"- 24"(1700)



Accessories included in softening version

- Distributor pipe Ø 50 x 1660 mm - Code FLA21148-01
- Bottom distributor Ø 50- Code FLA18396
- Connecting pipes for 20 "tanks - Code FLA28137-20 (version 1600)
- Connection pipes for 24 "tanks - Code FLA28137-24 (version 1700)
- Air Check 3/8" - Code FLA18168
- Air Check A.C.900 - Code 18979 (version 1700)

VALVE 9500 MECHANIC TIMER WITH ACCESSORIES

Industrial valve with brass body for softening applications with alternating service and immediate volumetric regeneration.

- Start regeneration: immediate volumetric

Code	Description	€
FL95001605	Valve 9500/1650 1" ½ Volume 40 m3 complete	
FL95001705	Valve 9500/1710 1" ½ Volume 40 m3 complete	

VALVE 9500 TIMER SXT WITH ACCESSORIES

Industrial valve with Brass body for softening applications with fully programmable electronic card for regenerative cycle control and regeneration start, with alternate service.

- Backlit display
- Complete programmability of the regenerative cycle
- Start regeneration: immediate volumetric

Code	Description	€
FL95001616	Valve 9500/1650 SXT 1"½ Volume complete	
FL95001716	Valve 9500/1710 SXT 1"½ Volume complete	

INDUSTRIAL VALVE 2750 SXT TIMER

Fully programmable electronic valve for regenerative cycle control and regeneration start. The control part is protected from water splashes by a sealing cover with gasket to obtain an IP44 degree of protection.



- Brass body valve
- Start regeneration: Manual, Chronometric, Volumetric

Technical features

- Service @ 1 bar drop 5,9 m³/h
- Backwash @ 1.8 bar drop 5,6 m³/h
- Mounting Base: 2.5" 8 NPSM
- IN/OUT connections: 1"
- Operating pressures Min/Max 1,8 bar - 8,5 bar
- Operating temperatures Min/Max 4°C - 43°C
- Voltage 230-24 VAC
- Frequency 50 Hz
- Valve Material: Brass
- Water Softener 10"-16" (1600) 21" - 24"(1700)
- Water Filter 10" - 21"

Accessories included in softening version

- Distributor pipe Ø 27 x 1600 mm - Code ARI00365
- Bottom distributor Ø 27 - Code ARI00355
- Air Check 3/8" - Code FLA18168
- Air Check A.C.900 - Code 18979 (version 1700)

Accessories included in filter version

- Distributor pipe Ø 27 x 1600 mm - Code ARI00365
- Bottom distributor Ø 27 - Code ARI00355

Valve 2750 with accessories

Code	Description	€
FL27501626	Valve Fleck 2750/1650 SXT time complete	
FL27501631	Valve 2750/1650 SXT 1" Volume complete	
FL27501716	Valve 2750/1710 SXT time complete	
FL27501721	Valve 2750/1710 SXT 1" Volume complete	
FL2750SXTF	Valve 2750 SXT Filter complete	

INDUSTRIAL VALVE 2850 SXT TIMER

Fully programmable electronic valve for regenerative cycle control and regeneration start. The control part is protected from water splashes by a sealing cover with gasket to obtain an IP44 degree of protection.

- Brass body valve
- Start regeneration: Manual, Chronometric, Volumetric



Technical features

- Service @ 1 bar drop 11,6 m³/h
- Backwash @ 1.8 bar drop 11,1 m³/h
- Mounting Base: 4" 8 UN
- IN/OUT connections: 1" 1/2
- Operating pressures Min/Max 1,8 bar - 8,5 bar
- Operating temperatures Min/Max 4°C - 43°C
- Voltage 230-24 VAC
- Frequency 50 Hz
- Valve Material: Brass
- Water Softener 10" - 16" (1600) 18" - 30" (1700)
- Water Filter 10"-24"

Accessories included in softening version

- Distributor pipe Ø 50 x 1660 mm - Code FLA21148-01
- Bottom distributor Ø 50- Code FLA18396
- Air Check 3/8" - Code FLA18168 (version 1600)
- Air Check A.C.900 - Code 18979 (version 1700)

Accessories included in filter version

- Distributor pipe Ø 50 x 1660 mm - Code FLA21148-01
- Bottom distributor Ø 50- Code FLA18396

Valve 2850 with accessories

Code	Description	€
FL28501626	Valve 2850/1650 SXT time complete	
FL28501631	Valve 2850/1650 SXT 1"1/2 Volume complete	
FL28501716	Valve 2850/1710 SXT time complete	
FL28501721	Valve 2850/1710 SXT 1"1/2 Volume complete	
FL2850SXTF	Valve 2850 SXT filter complete	

INDUSTRIAL VALVE 2910 SXT TIMER

Fully programmable electronic valve for regenerative cycle control and regeneration start. The valve is made with a double piston to optimize the management of the system from a flow point of view. The control part is protected from water splashes by a sealing cover with gasket to obtain an IP44 degree of protection.

- Brass body valve
- Start regeneration: Manual, Chronometric, Volumetric

Technical features

- Service @ 1 bar drop 24 m³/h
- Backwash @ 1.8 bar drop 8m³/h
- Mounting Base: 4" 8 UN
- IN/OUT connections: 2" BSP
- Operating pressures Min/Max 1,8 bar - 8,5 bar
- Operating temperatures Min/Max 4°C - 43°C
- Voltage 230-24 VAC
- Frequency 50 Hz
- Valve Material: Brass
- Water Softener 14"-16" (1600) 18"- 36"(1700)
- Water Filter 14"-24"

Accessories included in softening version

- Distributor pipe Ø 50 x 1660 mm - Code FLA21148-01
- Bottom distributor Ø 50- Code FLA18396
- Air Check 3/8" - Code FLA18168 (version 1600)
- Air Check A.C.900 - Code 18979 (version 1700)

Accessories included in filter version

- Distributor pipe Ø 50 x 1660 mm - Code FLA21148-01
- Bottom distributor Ø 50- Code FLA18396

Valve 2910 with accessories

Code	Description	€
FL29101616	Valve 2910/1650 SXT time complete	
FL29101621	Valve 2910/1650 SXT 2" Volume complete	
FL29101716	Valve 2910/1710 SXT time complete	
FL29101721	Valve 2910/1710 SXT 2" Volume complete	
FL2910SXTF	Valve 2910 SXT filter complete	



INDUSTRIAL VALVE 3150 NXT TIMER

Valve ideal for use in industrial field and in applications with multi-tank systems. The valve is made with double piston in such a way as to optimize the management of the system from a point of view of the flow. The control part is protected from possible splashes of water from a sealing lid with gasket to obtain an IP44 degree of protection. The advanced electronics fully manage the regeneration cycle, all the parameters of the cycle itself and the eventual system communication up to 4 cylinders.



- LCD display with two lines for 16 characters
- Connection up to 4 valves
- Possible configurations: System 4,5,6,7 and 9

Available signals:

- Remote starter
- Inhibition of the start of regeneration
- Programmable relay
- Three programming levels: User, Installer, diagnostics

Technical features

- Service @ 1 bar drop - 57 m³
- Backwash @ 1.8 bar dP - 24 m³
- Mounting Base: 6" flange
- 3" BSP Input / output connections
- Operating pressure min 1.8 bar - max 8.5 bar
- Operating temperature min 4 °C - max 43 °C
- Supply voltage: 230-24 VAC transformer
- 50 Hz supply frequency
- Valve body material: Brass
- Water softener 30" - 60"

Accessories included in the softening version

- Air Check A.C.900 - Code FLA18979 (Version 1800)

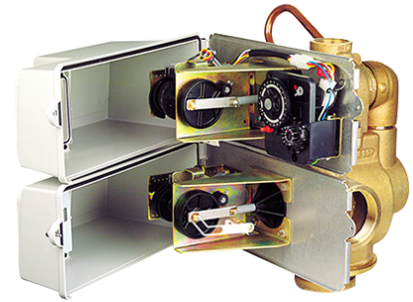
Valve 3150 with accessories

Code	Description	€
FL31501850	Valve 3150/1800 NXT time top mount complete	
FL31501855	Valve 3150/1800 NXT time side mount complete	
FL31501860	Valve 3150/1800 NXT 2" volume brass meter top mount complete	
FL31501865	Valve 3150/1800 NXT 2" volume brass meter side mount complete	
FL3150NXTMF	Valve 3150 NXT 2" filter top mount complete with brass DLFC	
FL3150NXTSMF	Valve 3150 NXT 2" filter side mount complete with brass DLFC	

INDUSTRIAL VALVE3900 NXT TIMER

Valve ideal for use in industrial field and in applications with multi-tank systems. The valve is made with double piston in such a way as to optimize the management of the system from a point of view of the flow. The control part is protected from possible splashes of water from a sealing lid with gasket to obtain an IP44 degree of protection.

The advanced electronics fully manage the cycle regenerative, all the parameters of the cycle itself and the eventual system communication up to 4 cylinders.



- LCD display with two lines for 16 characters
- Connection up to 4 valves
- Possible configurations: System 4,5,6,7 and 9
- Available signals:
- Remote starter
- Inhibition of the start of regeneration
- Programmable relay
- Three programming levels: User, Installer, diagnostics

Technical features

- Service @ 1 bar drop - 57 m³
- Backwash @ 1.8 bar dP - 24 m³
- Mounting Base: 6" flange
- 3" BSP Input / output connections
- Operating pressure min 1.8 bar - max 8.5 bar
- Operating temperature min 4 ° C - max 43 ° C
- Supply voltage: 230-24 VAC transformer
- 50 Hz supply frequency
- Valve body material: Brass
- Water softener 30 " - 60"

Accessories included in the softening version

- Air Check A.C.900 - Code FLA18979 (Version 1800)

Code	Description	€
FL39001850	Valve 3900/1800 NXT time top mount complete	
FL39001855	Valve 3900/1800 NXT time side mount complete	
FL39001860	Valve 3900/1800 NXT 3" volume brass meter top mount complete	
FL39001865	Valve 3900/1800 NXT 3" volume brass meter side mount complete	

2. FLECK ACCESSORIES

YOKES

Code	Description	€
FLA13398-10	1" BSP female brass	
FLA24735	1" BSP female brass mixing	
FLA18706-10	1" BSP male plastic	
FLA18706-12	3/4" BSP male plastic	
FLA24689	3/4" BSP male brass	



IN / OUT CONNECTIONS

For a valve two pieces must be ordered

Code	Description	€
FLA28354	Fitting 1" BSP M. plastic for 7700	
FLA28355	Fitting 1 1/4" BSP M. plastic for 7700	
FLABU28569	Fitting 1 1/2" Maschio BSP plastic for In Line Meter	



BY-PASS

Code	Description	€
FLABU28502	1" BSP female stainless steel	
FLA24734-10	1" BSP female brass with mixing	
FLABU26054	Plastic (no yoke)	



SAFETY BRINE VALVES

Code	Description	€
FLA27833	SBV 2300 - without air check	
FLA27834	SBV 2300 hot water - without air-check	
FLA60067-03	SBV 2310 - without air check	
FLA25453	SBV 2350 - without air check	
FLA25364	Mounting part 1" NPT male x 1" female	
FLA28182	Union PVC female 1" to be glued - male 1" BSP	
FLA25687	BV 44 914 mm	
FLA18961	BV 44 1250 mm	

AIR CHECKS

Code	Description	€
FLA18168	Air Checks 500A 915 mm (36") 1600 & 1650	
FLA26773	Air Checks 500A 1250 mm 1600 & 1650	
FLA23473	Air Checks 500 acqua calda 1600 HW	
FLA18979	Air Checks 900 1,88 mt 1700 & 1800	
FLABU28510	Air Checks 900 1,10 mt 1700 & 1800	
FLA18980	Air Checks 900 hot water 1700 & 1800 HW	



DISTRIBUTOR TUBES

Code	Description	€
FLA27827	1" high flow 1m10	
FLA25645	1" high flow 1m95	
FLABU28508	1" high flow hot water 1m10	
FLA21675	1" high flow hot water 1m88	
FLABU28509	1" high capacity hot water 1m10	
FLA25639	1" high capacity hot water 1m88	
FLA27828	1" UF & high capacity 1m10	
FLA18404	2" 1m82	
FLABU26052	2" hot water 1m82	



BOTTOM DISTRIBUTORS

Code	Description	€
FLA25360	1" high flow	
FLA27106	1" high flow hot water	
FLA25797	1" UF & high capacity	
FLA27109	1" high capacity hot water	
FLA18396	2"	
FLA26050	2" hot water	
1002-D32	32 mm bottom distributor high flow	



TUBES

Code	Description	€
FLABU28650	1" - 1m06 (ACS)	
FLABU28648	1" - 1m85 (ACS)	
FLABU28507	1" - 1m06 hot water	
FLA12165-01	1" - 1m78 hot water	
FLABU28649	2" - 1m66 (ACS)	
FLA21148HW	2" - 1m66 hot water	



INLINE METERS FOR SXT, ET, NXT

Code	Description	€
FLA28461-02	1" BSP plastic	
FLA28461-04	1 1/4" BSP plastic	
FLA28461-14	1 1/2" BSP plastic	



METERS

Code	Description	€
FLA28283	Kit meter NT - NXT 1" brass	
FLA28284	Kit meter NT - NXT 1 1/2" brass	
FLA28285	Kit meter NT - NXT 2" brass	
FLA28295	Kit meter NT - NXT 2" plastic	
FLA28286	Kit meter NT - NXT 3" brass	

VARIOUS

Code	Description	€
FLA18122	Kit flexible 2nd tank adapter - 200 mm	
FLA18123	Kit flexible 2nd tank adapter - 400 mm	
FLA18124	Kit flexible 2nd tank adapter - 500 mm	
FLA28137-16	Kit copper tubes 2nd tank adapter - 16"	
FLA28137-20	Kit copper tubes 2nd tank adapter - 20"	
FLA28137-24	Kit copper tubes 2nd tank adapter - 24"	
FLA61415-20	Rotating side mount adapter	
FLABU61564-10	Mixing assy 1" industrial	



3. SPARE FLECK

POWER HEAD 5000 SXT

Code	Description	€
P/N13547	Strain relief 24V	
P/N14923	Screw microswitch	
P/N18259-02	Back cover plastic 5000SE black	
P/N18260-00	Cover front smoke	
P/N19791-01	Turbine meter cable elect. 0,450 m	
P/N40422	Wire nut tan	
S/ABR42637	Label display SXT	
S/ABR43346-E0	Circuit board SXTprogrammed eco	
S/ABU28597	Kit transfo 10 VA 400 mA resid	
S/ABU28600	Wire harness power 4600/5000/5600	
P/NBU28702	front panel assy SXT	
S/ABU28714	Cover front panel & label SXT	
S/ABU28722	Timer motor assy 24V/50Hz 5000	

4600 SPARE PARTS

Code	Description	€
P/N10381-01	Tank O-ring 2 1/2" 560 CD	
P/N11737	Screw TH M5x12	
P/N11965	Cabinet retainer ABS 4600	
P/N12473	Screw hex washer 10-24x□ 18-8SS	
P/N13304-01	O-ring 560 CD	
P/N13314	Screw adapt clip	
P/N13361	Spacer inj	
P/N13497	Air disperser	
P/N13509	Impeller meter except 2" & 3"	
S/A13709	Coupling assy 2510/resid/9000	
P/N14202-01	Screw adapt clip 9000/9100	
S/A15218	Cover meter assy brass	
S/A15237	Meter cover assy brass extended	
S/A18089	Piston assy 4600/5600 LWU FR	
S/A18928	Piston assy 4600/5600 filter	
S/A24102	Meter body assy 3/4" & ring	
S/A24107	Meter assy 3/4" 8 m ³ plastic	
S/A24115	S&S kit resid	
S/A24116	Piston assy 4600/5600	
S/A24117	Piston assy 4600/5600 LWU	
S/A24509-01	Mixing assy resid	
S/A24944	S&S kit 4600/9000 upper HW	
S/A25871	Meter assy 3/4" extended plastic 90°	
S/A26006-10	Eco bypass assy 8 m ³ & red handle HW	
S/A26156-10	Eco bypass assy 40 m ³ & red handle HW	
S/A28451-10	VB 4600 w/ O-ring w/o mixing	
S/A28451-20	VB 4600 w/ O-ring w/ mixing	
S/ABR14038	Cover meter assy plastic	
S/A15659	Meter cover assy plastic extended 90°	
P/N13255	Mounting clip	
P/N13546	Plug retainer	
S/ABU28518-01	VB assy 4600 filter	
S/ABU28518-02	VB assy 4600 w/ mixing	
S/ABU28518-03	VB assy 4600 LWU w/ mixing	
S/ABU28518-04	VB assy 4600 FR w/ mixing	
S/ABU28518-05	VB assy 4600 HW w/ mixing	
S/ABU28518-06	VB assy 4600 LWU HW w/ mixing	
S/ABU28518-07	VB assy 4600 FR HW w/ mixing	

5600 SXT SPARE PARTS

Code	Description	€
P/N12112	Screw hex HD 10-24x1/2	
P/N12281-01	O-ring top of tank 560 CD	
P/N12473	Screw hex washer 10-24x□ 18-8SS	
P/N13304-01	O-ring 560 CD	
P/N13497	Air disperser	
P/N13509	Impeller meter except 2" & 3"	
S/A13709	Coupling assy 2510/resid/9000	
P/N14202-01	Screw adapt clip	
S/A18089	Piston assy 4600/5600 LWU FR	
S/A18416	S&S kit 4600/5600 UF	
S/A18928	Piston assy 4600/5600 filter	
S/A24102	Meter body assy 3/4" & ring	
S/A24107	Meter assy 3/4" 8 m ³ plastic	
S/A24115	S&S kit resid	
S/A24116	Piston assy 4600/5600	
S/A24117	Piston assy 4600/5600 LWU	
S/A24507	Piston assy 5600 UF	
S/A24509-01	Mixing assy resid	
S/A25593	Piston assy 5600SXT/6600/6700 UF	
S/A25871	Meter assy 3/4" extended plastic 90°	
S/A27077	Piston assy 4600SE/5600SXT/6600/6700 DF	
S/A28405-10	VB resid DF w/o mixing	
S/A28405-20	VB resid DF mixing	
S/A28405-30	VB resid UF w/o mixing	
S/A28405-40	VB resid UF mixing	
S/A60626-01	Meter assy 3/4" turbine SXT	
S/A14038	Cover meter assy plastic	
S/A15659	Meter cover assy plastic extended 90°	
P/N13030	O-ring retainer resid	
P/N13255	Mounting clip	
P/N13546	Plug retainer	
P/N19569	Clip flow meter SXT	
S/ABU28520-01	VB assy 5600 filter	
S/ABU28520-02	VB assy 5600 w/ mixing	
S/ABU28520-03	VB assy 5600 LWU w/ mixing	
S/ABU28520-04	VB assy 5600 FR w/ mixing	
S/ABU28520-05	VB assy 5600 UF w/ mixing	
S/ABU28520-06	VB assy 5600 SXT/6600/6700 DF mixing	
S/ABU28520-07	VB assy 5600 SXT/6600/6700 UF	
S/ABU28520-13	VB assy 5600SXT filter	
S/APH56SE-001	PH 4600/5600 SE eco	
S/APH56SE-002	PH 4600/5600 SE TC	
S/APH56SXT-001	PH 4600/5600 SXT TC	
S/APH56SXT-002	PH 4600/5600 SXT TC UF	
S/APH56SXT-003	PH 4600/5600 SXT eco	
S/APH56SXT-004	PH 4600/5600 SXT eco UF	

POWER HEAD RESIDENTIAL

Code	Description	€
P/N13009-21	24 hour gear	
P/N14087	Insulator	
S/A14860	Skipper wheel assy 7 days	
P/N15151	Screw flat head	
S/A18090	24h gear assy 2x12 FR	
P/N18158	Screw	
S/A24100	Skipper wheel assy 12 days	
S/A24119	Pgm wheel assy 8 m ³	
S/A24120	Pgm wheel assy 40 m ³	
P/N24377	Red light 4600/5600 230V	
P/N24378	Green light 4600/5600 230V	
P/N24544	Kit meter cable assy 4600/5600 8 m ³ delayed	
S/A24545	Kit meter cable assy 4600/5600 8 & 40 m ³ i mm.	
S/A24546	Kit meter cable assy 4600/5600 40 m ³ delayed	
P/N24750	Control knob label	
P/N26722	Green light 4600/5600 24V	
P/N26723	Red light 4600/5600 24V	
S/A26775	Timer motor assy 230V/50Hz 1/30 RPM	
S/A26776	Timer motor assy 230V/50Hz 1/15 RPM	
S/A26778	Timer motor assy 24V/50Hz 1/30 RPM	
S/A26779	Timer motor assy 24V/50Hz 1/15 RPM	
S/ABR40422	Wire nut tan	
P/N26963	Valve pos dial picto 5600 std/LWU	
P/N26965	Valve pos dial picto 5600 FR	
S/ABU28597	Kit transfo 10 VA 400 mA resid	
S/ABU28671-0,12	Kit microswitch 5600 lights 1 to 3,5 kg	
S/ABU28671-0,25	Kit microswitch 5600 lights 1,5 to 7 kg	
S/ABU28671-0,50	Kit microswitch 5600 lights 3 to 14 kg	
S/ABU28671-1	Kit microswitch 5600 lights 6 to 28 kg	

POWER HEAD 5600 SXT

Code	Description	€
P/N11384	Screw PH 6-32 x ¼ zinc	
P/N12037	Plain washer	
P/N13229-BLK	Back cover plastic black 4600/5600/6600	
P/N13296	Screw	
P/N13898	Screw pgm wheel	
P/N15151	Screw flat head	
P/N17020	Screw	
P/N17438	Drive cam DF black	
P/N17885	Drive cam UF red	
P/N18722	Brine cam DF/UF	
P/N19079	Washer friction	
S/A25329	Drive motor assy 24V/50Hz 2 RPM repl.kit	
P/N40609	Drive cam down flow blue double backwash	
P/N19791-01	Turbine meter cable elec 0,450 m	
S/ABR43346-E0	Circuit board SXT programmed eco	
S/ABU28600	Wire harness power 4600/5000/5600	
S/ABU28714	Cover front panel & label SXT	
S/ABU28723	Front panel & label SXT	

POWER HEAD 5000 SXT

Code	Description	€
P/N13547	Strain relief 24V	
P/N14923	Screw microswitch	
P/N18259-02	Back cover plastic 5000SE black	
P/N18260-00	Cover front smoke	
P/N19791-01	Turbine meter cable elect. 0,450 m	
P/N40422	Wire nut tan	
S/ABR42637	Label display SXT	
S/ABR43346-E0	Circuit board SXTprogrammed eco	
S/ABU28597	Kit transfo 10 VA 400 mA resid	
S/ABU28600	Wire harness power 4600/5000/5600	
P/NBU28702	Front panel assy SXT	
S/ABU28714	Cover front panel & label SXT	
S/ABU28722	Timer motor assy 24V/50Hz 5000	

5000 SXT SPARE PARTS

Code	Description	€
P/N12473	Screw hex washer 10-24 x □ 18-8SS	
P/N13304-01	O-ring 560 CD	
P/N13314	Screw adapt clip	
S/A13709	Coupling assy 2510/resid/9000	
P/N18303-01	O-ring top of tank	
P/N18312	Retainer drain	
S/A18569	Retainer tank seal	
S/A24509-01	Mixing assy resid	
S/A26045	S&S kit 5000	
S/A60626-01	Meter assy 3/4" turbine SXT	
S/ABU13030	O-ring retainer resid	
S/ABU13255	Mounting clip	
S/ABU19569	Clip flow meter SXT	
S/ABU26073	VB 5000 w/o mixing	
S/ABU26074	VB 5000 w/ O-ring w/ mixing	
S/ABU26079	Piston assy 5000 DF	
S/ABU26080	Piston assy 5000 UF & filter	
S/ABU28519-02	VB assy 5000DF w/ mixing	
S/ABU28519-03	VB assy 5000UF w/ mixing	
S/APH5000-001	PH 5000 SXT eco	
S/APH5000-002	PH 5000 SXT TC	
S/APH5000-003	PH 5000 SXT filter UF	

POWER HEAD 5800

Code	Description	€
S/A43262-00	Bezel, 5800, blue	
S/A61931-01	Timer Assy 5800 Hurricane w/ Pentair Logo	
S/A61931-02	Timer Assy 5800 Hurricane w/o Pentair logo	
S/ABR43318	Transformer intl 230VAC-12VDC 5800	
S/ABR61832-00	Cover assy, 5800, black/blue	
S/ABR61833-01	Timer assy 5800 Storm TC	
S/ABR61833-02	Timer assy 5800 Storm eco	
S/ABR61833-03	Timer assy 5800 Storm TC UF	
S/ABR61833-04	Timer assy 5800 Storm eco UF	
S/ABR61833-05	Timer assy 5800 Storm filter UF	
S/ABR61834	Timer assy 5800 Typhoon	
S/ABR61835	Motor assy 5800	
S/ABR61836	Panel gear assy, 5800 DF/UF	

5800 SPARE PARTS

Code	Description	€
P/N13304-01	O-ring 560 CD	
P/N13314	Screw adapt clip	
S/A13709	Coupling assy 2510/resid/9000	
P/N18261	Screw	
P/N18303-01	O-ring top of tank	
P/N18312	Retainer drain	
P/N18569	Retainer tank seal	
S/A24509-01	Mixing assy resid	
S/A60626-01	Meter assy 3/4" turbine SE/SXT	
S/ABR61837	Piston assy, DF, 5800	
S/ABR61838	Piston assy, UF, 5800	
S/ABR61857-01	Valve body assy 5800 filter	
S/ABR61857-20	Valve body assy 5800 w/mixing	
S/ABU13030	O-ring retainer resid	
S/ABU13255	Mounting clip	
S/ABU19569	Clip flow meter SE/SXT	

POWER HEAD 6600

Code	Description	€
P/N13229-BLK	Back cover plastic black 4600/5600/6600	
P/N13547	Strain relief 24V	
P/N13898	Screw pgm wheel	
P/N14087	Insulator	
P/N15151	Screw flat head	
P/N17438	Drive cam DF black	
P/N17885	Drive cam UF red	
P/N19025	Drive cam 6600/6700 var brining	
P/N19121-01	Meter cable SE/SXT 0,450 m	
P/N24601	Drive cam UF DVGW green	
S/A25329	Retrofit kit drive motor assy 24V/50Hz 2 RPM	
S/A27944-10	front panel assy 6600/6665 w/ circuit board	
S/ABR40422	Wire nut tan	
S/ABU11413	Screw pan head 4.4x11/8	
S/ABU28597	Kit transfo 10 VA 400 mA resid	

POWER HEAD 6700

Code	Description	€
P/N10302	Insulator limit switch	
P/N13547	Strain relief 24V	
P/N15151	Screw flat head	
P/N17438	Drive cam DF black	
P/N17841-020	Cover 6700 bottom black	
P/N17885	Drive cam UF red	
P/N19121-01	Meter cable SE/SXT 0,450 m	
P/N24601	Drive cam UF DVGW green	
S/A25329	Retrofit kit drive motor assy 24V/50Hz 2 RPM	
S/A26220-10	Front panel assy 6700 DF	
S/A26634-10	Front panel assy 6700 UF/6765	
S/A27944-10	Front panel assy 6600/6665/6665 6 cycles V2014	
S/A28026-10	Front panel assy 6765 6 cycles / 6766	
S/ABR40422	Wire nut tan	
S/ABU11413	Screw pan head 4.4x11/8	
S/ABU17842-00	Cover top 6700 smoke	
S/ABU17842-07	Cover top 6700 blue	
S/ABU28112	Harness power (not shown)	
P/NBU28597	Kit transfo 10 VA 400 mA resid	
KIT265	Pin hinge 6700 assy	

6600/6665 & 6700/6765 SPARE PARTS

Code	Description	€
P/N10300	Timer screw	
P/N12112	Screw hex HD 10-24 x 1/2	
P/N12281-01	O-ring top of tank 560 CD	
P/N12473	Screw hex washer 10-24 18-8SS	
P/N13304-01	O-ring 560 CD	
P/N13314	Screw adapt clip	
S/A18330	Meter cover assy elect.	
S/A24115	S&S kit resid	
S/A24509-01	Mixing assy resid	
S/A25593	Piston assy 5600SXT/6600/6700 UF	
S/A26123	Piston assy 6665DVGW & 6765DVGW	
S/A26702	Meter assy 3/4" elect.	
S/A27077	Piston assy 4600SXT/5600SXT/6600/6700 DF	
S/A28405-20	VB resid DF mixing	
S/A28405-40	VB resid UF mixing	
S/ABU13255	Mounting clip	
S/ABU13546	Plug retainer	
S/ABU28520-06	VB assy 5600 SXT/6600/6700 DF mixing	
S/ABU28520-07	VB assy 5600 SXT/6600/6700 UF	
S/ABU28520-08	VB assy 6665/6765 DVGW	
S/ABU28520-09	VB assy 6766	
S/ABU28826	Retrofit kit PH6665 w/chlorine cell	
S/ABU28827	Retrofit kit PH6765 w/chlorine cell	
S/APH6600-004	PH 6600 DF 24V/50Hz	
S/APH6600-005	PH 6600 DF MW	
S/APH6665-002	PH 6665 UF	
S/APH6700-004	PH 6700 DF 24V/50Hz	
S/APH6700-005	PH 6700 UF	
S/APH6700-006	PH 6700 UF VB	
S/APH6765-002	PH 6765 UF	

POWER HEAD 7700

Code	Description	€
S/A28343	Kit microswitch auxiliary 7700	
S/A28367	Drive motor assy 24V/50Hz	
S/A40704	Brine cam 7700 DF	
S/A40967	Screw 7700	
P/N40977	Brine cam 7700 filter	
S/A40980	Back plate 7700	
S/ABR19791-01	Turbine meter cable elect. 0,450 m	
P/NBR43360-EN	Circuit board 7700 SXT TC	
S/ABU28365	Main gear assy 7700	
S/ABU28597-10	Kit transfo 10 VA 400 mA 7700	
S/ABU28694	Cover assy SXT 7700	

7700 SPARE PARTS

Code	Description	€
P/N18303-01	O-ring top of tank	
P/N19054	O-ring	
S/A26575	BV 1600 assy 7600/7700	
S/A28370	Inj cover assy 7700	
S/A28384	VB 7700 w/ O-ring w/o mixing	
S/A28385-1.2	DLFC 3/4" 1.2 gpm 7700	
S/A28385-1.5	DLFC 3/4" 1.5 gpm 7700	
S/A28385-2	DLFC 3/4" 2 gpm 7700	
S/A28385-2.4	DLFC 3/4" 2.4 gpm 7700	
S/A28385-3	DLFC 3/4" 3 gpm 7700	
S/A28385-3.5	DLFC 3/4" 3.5 gpm 7700	
S/A28385-4	DLFC 3/4" 4 gpm 7700	
S/A28385-5	DLFC 3/4" 5 gpm 7700	
S/A28385-7	DLFC 3/4" 7 gpm 7700	
S/A28386-ALL	DLFC kit 1" 7700 10 to 25 gpm	
S/A28387-0.12	BLFC assy 3/8" 1600 0.12 gpm 7700	
S/A28387-0.25	BLFC assy 3/8" 1600 0.25 gpm 7700	
S/A28387-0.50	BLFC assy 3/8" 1600 0.50 gpm 7700	
S/A28387-1	BLFC assy 3/8" 1600 1 gpm 7700	
S/A28441	VB 7700 w/ O-ring with mixing	
S/A40538	Retainer tank seal	
P/N40577	Meter assy 1 1/4" elec 7700	
S/A40947-01	Plug assy BV 7700	
S/A40950	Screen inj 7700	
S/A40990-01	Inj plug assy 7700	
S/A61419	Kit 1.05" distrib adapt	
S/A61438	S&S kit 7700 D/F	
S/A61452-10	Piston assy 7700 HF	
P/N61452-20	Piston assy 7700 filter 35 gpm	
S/A61453-10	Piston assy 7700	
P/N61454-0	Inj assy 1600 7700 # 0	
P/N61454-1	Inj assy 1600 7700 # 1	
P/N61454-2	Inj assy 1600 7700 # 2	
P/N61454-3	Inj assy 1600 7000 # 3	
P/N61454-4	Inj assy 1600 7700 # 4	
P/N61454-5	Inj assy 1600 7700 # 5	
S/ABU28521-01	VB assy 7700 filter	
S/ABU28521-02	VB assy 7700 w/ mixing	
S/ABU28521-03	VB assy 7700 HF	
S/APH7700-001	PH 7700 SXT filter	
S/APH7700-002	PH 7700 SXT TC	
S/APH7700-003	PH 7700 SXT eco	

9000 SPARE PARTS

Code	Description	€
P/N11710-01	Adapt O-ring 560 CD	
P/N11737	Screw TH M5x12	
P/N12281-01	O-ring top of tank 560 CD	
P/N12473	Screw hex washer 10-24x□ 18-8SS	
P/N13314	Screw adapt clip	
P/N13361	Spacer inj	
S/A13398-10	Yoke brass 1" BSP	
P/N13497	Air disperser	
P/N13509	Impeller meter except 2" & 3"	
P/N14202-01	Screw adapt clip 9000/9100	
S/A15078-01	Coupling assy 9000	
S/A15218	Cover meter assy brass	
S/A15237	Meter cover assy brass extended	
S/A18330	Meter cover assy elec	
S/A24102	Meter body assy 3/4" & ring	
S/A24106	Meter assy 3/4" 40 m ³ 9000 plastic	
S/A24107	Meter assy 3/4" 8 m ³ plastic	
S/A24115	S&S kit resid	
S/A24228	Meter assy 1" 100 m ³	
S/A24229	Meter assy 1" 20 m ³	
S/A24234	Piston assy 9000/9100 upper	
S/A24235	Piston assy 9000/9100 lower DF	
S/A24238	2nd tank adapt assy 9000	
S/A24944	S&S kit 4600/9000 upper HW	
S/A25642	S&S kit 9000/9100 Upper & Lower	
S/A26013	S&S kit 9000 HW upper & lower	
S/A26702	Meter assy 3/4" elec	
P/N26726	Spacer inj	
S/A27130	Meter assy 1" elec 9000 ET	
S/A27187	Piston assy 9000 lower DF HW	
S/A27188	Piston assy 9000 upper DF HW	
S/A28173	Piston assy 9000/9100 lower UF	
S/ABR11335	Piston rod screw 9000/9100/9500	
S/ABR14038	Cover meter assy plastic	
S/ABR15150	Meter cover assy plastic	
S/ABU13255	Mounting clip	
S/ABU28523-01	VB assy 9000 DF	
S/ABU28523-02	VB assy 9000 DF HW	
S/ABU28523-03	VB assy 9000 UF	
S/ABU28606	VB 9000 & seals	
S/ABU28664	S&S kit 9000/9100 lower	

9100 SPARE PARTS

Code	Description	€
P/N11737	Screw TH M5x12	
P/N12473	Screw hex washer 10-24x□ 18-8SS	
P/N13304-01	O-ring 560 CD	
P/N13314	Screw adapt clip	
P/N13361	Spacer inj	
P/N13497	Air disperser	
P/N13509	Impeller meter except 2" & 3"	
P/N14202-01	Screw adapt clip 9000/9100	
S/A15078-01	Coupling assy 9000	
S/A15218	Cover meter assy brass	
S/A15237	Meter cover assy brass extended	
P/N18303-01	O-ring top of tank	
S/A18330	Meter cover assy elec	
S/A24102	Meter body assy 3/4" & ring	
S/A24106	Meter assy 3/4" 40 m ³ 9000 plastic	
S/A24107	Meter assy 3/4" 8 m ³ plastic	
S/A24115	S&S kit resid	
S/A24228	Meter assy 1" 100 m ³	
S/A24229	Meter assy 1" 20 m ³	
S/A24234	Piston assy 9000/9100 upper	
S/A24235	Piston assy 9000/9100 lower DF	
S/A25642	S&S kit 9000/9100 UF	
S/A26702	Meter assy 3/4" elec	
S/A27130	Meter assy 1" elec 9000 ET	
S/A28173	Piston assy 9000/9100 lower UF	
S/A28242	2nd tank adapt assy 9100	
S/ABR11335	Piston rod screw 9000/9100/9500	
S/ABR14038	Cover meter assy plastic	
S/ABR15150	Meter cover assy plastic	
S/ABU13255	Mounting clip	
S/ABU28241	VB & distrib adapt 9100 w/o mixing	
S/ABU28524-01	VB assy 9100 DF w/o mixing	
S/ABU28524-02	VB assy 9100 UF w/o mixing	
S/ABU28664	S&S kit 9000/9100 lower	

9500 SPARE PARTS

Code	Description	€
P/N10302	Insulator limit switch	
P/N10339	Nut switch mount	
P/N11663	Lock washer	
P/N11737	Screw TH M5x12	
P/N13509	Impeller meter except 2" & 3"	
P/N13547	Strain relief 24V	
P/N13577-01	O-ring 560 CD distrib tube	
P/N15172	Screw flat head 9000/9100/9500	
P/N15203	Harness timer 9000/ 9500	
S/A15218	Cover meter assy brass	
P/N15227	Plate clutch actuator	
S/A15237	Meter cover assy brass extended	
P/N16455-01	O-ring 560 CD	
P/N16922	Bracket BV 9500	
P/N17513	Clip spring	
P/N17967	Liquid tight	
S/A18050	2nd tank adapt assy 9500	
S/A18052	Piston assy 9500 upper	
S/A18052-01	Piston assy 9500 upper HW	
S/A18053	Piston assy 9500 lower	
S/A18053-01	Piston assy 9500 lower HW	
S/A18057-1.2	BV 1700 assy HW 9500 1.2 gpm	
S/A18057-2	BV 1700 assy HW 9500 2 gpm	
S/A18057-4	BV 1700 assy HW 9500 4 gpm	
S/A18057-7	BV 1700 assy HW 9500 7 gpm	
S/A18092-0.25	Kit BV 1600 & BLFC assy indus	
S/A18092-0.50	Kit BV 1600 & BLFC assy indus	
S/A18092-1	Kit BV 1600 & BLFC assy indus	
S/A18129	S&S kit 9500 upper	
S/A18330	Meter cover assy elec	
S/A18508	Meter assy 1 1/2" 200 m ³ 9500	
S/A18509	Meter assy 1 1/2" 40 m ³ 9500	
P/N19121-01	Meter cable SE/SXT 0,450 m	
P/N19121-02	Meter cable ET 0,5 m	
P/N19291-020	Cover 9000/9100/9500 black	
P/N21716	Screw THM 5x16	
P/N23728	Screw THM 6x12	
S/A24173-3	Inj assy 1700/1710	
S/A24173-4	Inj assy 1700/1710	
S/A24173-5	Inj assy 1700/1710	
S/A24201	Pgm wheel assy 160 min	
S/A24580	Pgm wheel assy 8 m ³ 9000/9100	
S/A24914	Pgm wheel assy 20 m ³ 9000/9100	
S/A24915	Pgm wheel assy 40 m ³ 9000/9100/9500	
S/A24916	Pgm wheel assy 100 m ³ 9000/9100	

S/A25581-ALL	DLFC kit 1" 2850/9500 10 to 25 gpm
S/A25724	Kit meter cable assy 9000/9000/6
S/A25725	Kit meter cable assy 9000 1"
S/A26503-24	Drive motor assy 24V 50/60hz twin
S/A26778	Timer motor assy 24V/50Hz 1/30 RPM
S/A27150-1	Inj assy 1600 9500 # 1
S/A27150-2	Inj assy 1600 9500 # 2
S/A27150-3	Inj assy 1600 9500 # 3
S/A27957	Meter body 1 1/2" 9500
S/A28076	Meter assy 1 1/2" elec 9500
S/A28139	Spacer assy tube 9500
S/A28358	Timer et 9000/9100 UF
S/ABR11335	Piston rod screw 9000/9100/9500
S/ABR40422	Wire nut tan
S/ABR43346-E0	Circuit board SXT programmed eco
S/ABU26473	Cover assy black left window 9500/9000 ET
S/ABU27746	Harness 9000
S/ABU27808	Meter cable adapt SE 60 mm
P/NBU28107	Flange tube 9500
S/ABU28525-01	VB assy 9500
S/ABU28525-02	VB assy 9500 HW
S/ABU28528	Wire harness w/ switches
S/ABU28529	Circuit board 3200 ET
S/ABU28572-1.2	BV 1710 9500 1.2 gpm
S/ABU28572-2	BV 1710 9500 2 gpm
S/ABU28572-4	BV 1710 9500 4 gpm
S/ABU28572-7	BV 1710 9500 7 gpm
S/ABU28597	Kit transfo 10 VA 400 mA resid
S/ABU28612-1.2	BV 1710 9500 1.2 gpm
S/ABU28612-2	BV 1710 9500 2 gpm
S/ABU28612-4	BV 1710 9500 4 gpm
S/ABU28612-7	BV 1710 9500 7 gpm
S/ABU28618-1.2	BV 1700 9500 1.2 gpm
S/ABU28618-2	BV 1700 9500 2 gpm
S/ABU28618-4	BV 1700 9500 4 gpm
S/ABU28618-7	BV 1700 9500 7 gpm
S/ABU28651	VB 9500 w/ O-rings
S/ABU28665	S&S kit 9500 lower
P/NBU28712-02	Timer assy SXT 9000/9100/9500
S/ABU28714	Cover front panel & label SXT
S/ABU28784-0.25	BV 1600 assy 9500 hot water 0.25 gpm
S/ABU28784-0.50	BV 1600 assy 9500 hot water 0.50 gpm
S/ABU28784-1	BV 1600 assy 9500 hot water 1 gpm
S/ABU28798-0.25	BV 1650 assy 9500 0.25 gpm
S/ABU28798-0.50	BV 1650 assy 9500 0.50 gpm
S/ABU28798-1	BV 1650 assy 9500 1 gpm
S/ABU28799-0.25	Kit BV 1650 assy 9500 0.25 gpm
S/ABU28799-0.50	Kit BV 1650 assy 9500 0.50 gpm
S/ABU28799-1	Kit BV 1650 assy 9500 1 gpm

2510 SPARE PARTS

Code	Description	€
P/N12112	Screw hex HD 10-24 x 1/2	
P/N12473	Screw hex washer 10-24 x 5/16 18-8SS	
P/N12774	Brine tube 1600 2750/2900 plastic	
P/N13304-01	O-ring 560 CD	
P/N13314	Screw adapt clip	
P/N13509	Impeller meter except 2" & 3"	
S/A18046	PH 2510/2750/2850 manual filter	
P/N18303-01	O-ring top of tank	
P/N19197	Slip ring ladder valve	
S/A19936	Seal adapter 2510	
P/N23304	Inj body gasket	
S/A24067	Piston assy 2510/2750/2900 std & HW	
S/A24102	Meter body assy 3/4" & ring	
S/A24543	Meter assy 3/4" plastic 90°	
S/A25871	Meter assy 3/4" extended plastic 90°	
S/A26495-00	Piston assy 2510/2750 NBP	
S/A26677-0.25	Kit BV 1650 assy 0.25 gpm	
S/A26677-0.50	Kit BV 1650 assy 0.50 gpm	
S/A26677-1	Kit BV 1650 assy 1 gpm	
S/A26680-0.25	BV 1650 2750/2910 WBP assy 0.25 gpm plastic	
S/A26680-0.50	BV 1650 2750/2910 WBP assy 0.50 gpm plastic	
S/A26680-1	BV 1650 2750/2910 WBP assy 1 gpm plastic	
S/A26953	Adapt base assy 2510	
S/A27024	Clamp assy 2510	
S/A28415	S&S kit 2510/2750/2900 upper DF	
S/A60080-0	Inj assy 1650 2510 # 0	
S/A60080-1	Inj assy 1650 2510 # 1	
S/A60080-2	Inj assy 1650 2510 # 2	
S/A60080-3	Inj assy 1650 2510 # 3	
S/A60626-01	Meter assy 3/4" turbine SXT	
S/ABR11893	Inj flat cover	
S/ABR15452	Meter cover assy plastic 90°	
S/ABR15659	Meter cover assy plastic extended 90°	
S/ABU13030	O-ring retainer resid	
S/ABU13255	Mounting clip	
S/ABU19569	Clip flow meter SXT	
S/ABU28512-01	VB assy 2510	
S/ABU28512-02	VB assy 2510 NBP	
S/ABU28834-0.25	BV 1650 2510 NBP assy 0.25 gpm plastic	
S/ABU28834-0.50	BV 1650 2510 NBP assy 0.50 gpm plastic	
S/ABU28834-1	BV 1650 2510 NBP assy 1 gpm plastic	

2750 SPARE PARTS

Code	Description	€
P/N11208-01	Adapt O-ring 560 CD 2750/2900/2910	
P/N11710-01	Adapt O-ring 560 CD	
P/N11737	Screw TH M5x12	
P/N12473	Screw hex washer 10-24 x 5/8 18-8SS	
P/N13304-01	O-ring 560 CD	
P/N13509	Impeller meter except 2" & 3"	
P/N13882	Impeller post for 13509	
P/N14959-20	Meter body 1" indus	
S/A15218	Cover meter assy brass	
S/A15237	Meter cover assy brass extended	
S/A18046	PH 2510/2750/2850 manual filter	
S/A18092-0.25	Kit BV 1600 & BLFC assy indus	
S/A18092-0.50	Kit BV 1600 & BLFC assy indus	
S/A18092-1	Kit BV 1600 & BLFC assy indus	
S/A18330	Meter cover assy elec	
S/A18391	Meter assy 1" elec	
P/N21361	Screw TCHCM 8x16	
P/N23304	Inj body gasket	
P/N23748	Elbow female 1"x 1" meter 2750	
S/A24067	Piston assy 2510/2750/2900 std & HW	
S/A24173-3	Inj assy 1700/1710	
S/A24173-4	Inj assy 1700/1710	
S/A24173-5	Inj assy 1700/1710	
S/A24181-1.2	Kit BV 1700 assy	
S/A24181-2	Kit BV 1700 assy	
S/A24181-4	Kit BV 1700 assy	
S/A24181-7	Kit BV 1700 assy	
S/A24197	Meter assy 1" 100 m ³	
S/A24198	Meter assy 1" 20 m ³	
S/A24199-0	Inj assy 1600 2750/2850/2900/2910	
S/A24199-00	Inj assy 1600 2750/2850/2900/2910	
S/A24199-000	Inj assy 1600 2750/2850/2900/2910	
S/A24199-1	Inj assy 1600 2750/2850/2900/2910	
S/A24199-2	Inj assy 1600 2750/2850/2900/2910	
S/A24199-3	Inj assy 1600 2750/2850/2900/2910	
S/A24212-1.2	DLFC 3/4" NPT - 1/2" NPT 2750/2900	
S/A24212-1.5	DLFC 3/4" NPT - 1/2" NPT 2750/2900	
S/A24212-2	DLFC 3/4" NPT - 1/2" NPT 2750/2900	
S/A24212-2.4	DLFC 3/4" NPT - 1/2" NPT 2750/2900	
S/A24212-3	DLFC 3/4" NPT - 1/2" NPT 2750/2900	
S/A24212-3.5	DLFC 3/4" NPT - 1/2" NPT 2750/2900	
S/A24212-4	DLFC 3/4" NPT - 1/2" NPT 2750/2900	
S/A24212-5	DLFC 3/4" NPT - 1/2" NPT 2750/2900	
S/A24212-7	DLFC 3/4" NPT - 1/2" NPT 2750/2900	
S/A24249	Meter assy 3/4" 40 m ³ 2750	
S/A24250	Meter assy 3/4" 8 m ³ 2750	

S/A24555-0	Inj assy 1600 HW
S/A24555-1	Inj assy 1600 HW
S/A24555-2	Inj assy 1600 HW
S/A24555-3	Inj assy 1600 HW
S/A24874	Screw THM 5 x 8
S/A24962	Tank adapt assy 2750
S/A24994-0.25	BV 1600 assy 2750 WBP/2910 HW 0.25 gpm
S/A24994-0.50	BV 1600 assy 2750 WBP/2910 HW 0.50 gpm
S/A24994-1	BV 1600 assy 2750 WBP/2910 HW 1 gpm
S/A26495-00	Piston assy 2510/2750 NBP
S/A26677-0.25	Kit BV 1650 assy 0.25 gpm
S/A26677-0.50	Kit BV 1650 assy 0.50 gpm
S/A26677-1	Kit BV 1650 assy 1 gpm
S/A26680-0.25	BV 1650 2750/2910 WBP assy 0.25 gpm plastic
S/A26680-0.50	BV 1650 2750/2910 WBP assy 0.50 gpm plastic
S/A26680-1	BV 1650 2750/2910 WBP assy 1 gpm plastic
S/A26820	Meter assy 3/4" elec 2750
S/A26909-0.50	BV 1600 assy 2750NBP/2850 0.50 gpm
S/A26909-1	BV 1600 assy 2750NBP/2850 1 gpm
S/A26990-1.2	BV 1700 assy 2750WBP HW 1.2 gpm
S/A26990-2	BV 1700 assy 2750WBP HW 2 gpm
S/A26990-4	BV 1700 assy 2750WBP HW 4 gpm
S/A26990-7	BV 1700 assy 2750WBP HW 7 gpm
S/A26991-1.2	BV 1700 assy 2750 NBP/2850 WBP/ 2910 1.2 gpm
S/A26991-2	BV 1700 assy 2750 NBP/2850 WBP/ 2910 2 gpm
S/A26991-4	BV 1700 assy 2750 NBP/2850 WBP/ 2910 4 gpm
S/A28415	S&S kit 2510/2750/2900 upper DF
S/A28423-1.2	BV 1710 1.2 gpm except 9500
S/A28423-2	BV 1710 2 gpm except 9500
S/A28423-4	BV 1710 4 gpm except 9500
S/A28423-7	BV 1710 7 gpm except 9500
S/ABR11893	Inj flat cover
S/ABR14038	Cover meter assy plastic
S/ABR15150	Meter cover assy plastic
S/ABU28414	S&S kit 2750/2900/2910 upper HW
S/ABU28513-01	VB assy 2750/2900
S/ABU28513-02	VB assy 2750/2900 NBP
S/ABU28513-03	VB assy 2750/2900 HW
S/ABU28513-04	VB assy 2750/2900 NBP HW
P/NBU28607-1.2	BV 1710 2750 WBP 1.2 gpm
P/NBU28607-2	BV 1710 2750 WBP 2 gpm
P/NBU28607-4	BV 1710 2750 WBP 4 gpm
P/NBU28607-7	BV 1710 2750 WBP 7 gpm
P/NBU28611-1.2	BV 1710 UF 2750 1.2 gpm
P/NBU28611-2	BV 1710 UF 2750 2 gpm
P/NBU28611-4	BV 1710 UF 2750 4 gpm
P/NBU28611-7	BV 1710 UF 2750 7 gpm
S/ABU28797-0.25	BV 1650 assy 2750NBP/2850/2910 0.25 gpm
S/ABU28797-0.50	BV 1650 assy 2750NBP/2850/2910 0.50 gpm
S/ABU28797-1	BV 1650 assy 2750NBP/2850/2910 1 gpm

2850 SPARE PARTS

Code	Description
P/N11737	Screw TH M5x12
P/N12473	Screw hex washer 10-24 x 5/8 18-8SS
P/N13509	Impeller meter except 2" & 3"
P/N13577-01	O-ring 560 CD distrib tube
P/N13882	Impeller post for 13509
P/N14959-20	Meter body 1" indus
S/A15218	Cover meter assy brass
S/A15237	Meter cover assy brass extended
P/N16455-01	O-ring 560 CD
S/A18046	PH 2510/2750/2850 manual filter
S/A18058	Meter assy 1 1/2" 40 m ³
S/A18059	Meter assy 1 1/2" 200 m ³
S/A18092-0.25	Kit BV 1600 & BLFC assy indus
S/A18092-0.50	Kit BV 1600 & BLFC assy indus
S/A18092-1	Kit BV 1600 & BLFC assy indus
S/A18330	Meter cover assy elec
S/A18391	Meter assy 1" elec
P/N23304	Inj body gasket
S/A24173-3	Inj assy 1700/1710
S/A24173-4	Inj assy 1700/1710
S/A24173-5	Inj assy 1700/1710
S/A24181-1.2	Kit BV 1700 assy
S/A24181-2	Kit BV 1700 assy
S/A24181-4	Kit BV 1700 assy
S/A24181-7	Kit BV 1700 assy
S/A24197	Meter assy 1" 100 m ³
S/A24198	Meter assy 1" 20 m ³
S/A24199-0	Inj assy 1600 2750/2850/2900/2910
S/A24199-00	Inj assy 1600 2750/2850/2900/2910
S/A24199-000	Inj assy 1600 2750/2850/2900/2910
S/A24199-1	Inj assy 1600 2750/2850/2900/2910
S/A24199-2	Inj assy 1600 2750/2850/2900/2910
S/A24199-3	Inj assy 1600 2750/2850/2900/2910
S/A24555-0	Inj assy 1600 HW
S/A24555-1	Inj assy 1600 HW
S/A24555-2	Inj assy 1600 HW
S/A24555-3	Inj assy 1600 HW
P/N24874	Screw THM 5 x 8
P/N24991	Reducer nipple 1 1/2" to 1" female
S/A25155	Piston assy 2850
S/A25156	S&S kit 2850 std & HW
S/A25581-ALL	DLFC kit 1" 2850/9500 10 to 25 gpm
S/A26494-00	Piston assy 2850 NBP
S/A26677-0.25	Kit BV 1650 assy 0.25 gpm
S/A26677-0.50	Kit BV 1650 assy 0.50 gpm

S/A26677-1	Kit BV 1650 assy 1 gpm
S/A26909-0.50	BV 1600 assy 2750NBP/2850 0.25 gpm
S/A26909-0.50	BV 1600 assy 2750NBP/2850 0.50 gpm
S/A26909-1	BV 1600 assy 2750NBP/2850 1 gpm
S/A26991-1.2	BV 1700 assy 2750 NBP/2850 WBP/ 2910 1.2 gpm
S/A26991-2	BV 1700 assy 2750 NBP/2850 WBP/ 2910 2 gpm
S/A26991-4	BV 1700 assy 2750 NBP/2850 WBP/ 2910 4 gpm
S/A26992-1.2	BV 1700 assy 2850 NBP 1.2 gpm
S/A26992-2	BV 1700 assy 2850 NBP 2 gpm
S/A26992-4	BV 1700 assy 2850 NBP 4 gpm
S/A28076	Meter assy 1 1/2" elec
S/A28423-1.2	BV 1710 1.2 gpm except 9500
S/A28423-2	BV 1710 2 gpm except 9500
S/A28423-4	BV 1710 4 gpm except 9500
S/A28423-7	BV 1710 7 gpm except 9500
S/ABR11893	Inj flat cover
S/ABU28514-01	VB assy 2850
S/ABU28514-02	VB assy 2850 NBP
S/ABU28608-1.2	BV 1710 2850 NBP 1.2 gpm
S/ABU28608-2	BV 1710 2850 NBP 2 gpm
S/ABU28608-4	BV 1710 2850 NBP 4 gpm
S/ABU28608-7	BV 1710 2850 NBP 7 gpm
P/NBU28610-1.2	BV 1710 2750 NBP/2850 WBP/2910 1.2 gpm
P/NBU28610-2	BV 1710 2750 NBP/2850 WBP/2910 2 gpm
P/NBU28610-4	BV 1710 2750 NBP/2850 WBP/2910 4 gpm
P/NBU28610-7	BV 1710 2750 NBP/2850 WBP/2910 7 gpm
S/ABU28652	VB 2850 w/ O-rings
S/ABU28796-0.25	BV 1650 assy 2850 NBP 0.25 gpm
S/ABU28796-0.50	BV 1650 assy 2850 NBP 0.50 gpm
S/ABU28796-1	BV 1650 assy 2850 NBP 1 gpm
S/ABU28797-0.25	BV 1650 assy 2750NBP/2850/2910 0.25 gpm
S/ABU28797-0.50	BV 1650 assy 2750NBP/2850/2910 0.50 gpm
S/ABU28797-1	BV 1650 assy 2750NBP/2850/2910 1 gpm

POWER 2910 ADAPTER

Code	Description	€
S/A18357-01	Motor assy 2910 adapt 24V	
P/N18709-50	Back plate 2900/2910 lower	
P/N21361	Screw TCHCM 8x16	
S/A26218-01	Cover assy 2900/2910 lower grey	
S/A40943	Harness 3200NT lower	
S/ABR42446	Harness lower drive (ex 40405)	

2910 SPARE PARTS

Code	Description
P/N10231	Screw hex head indus
P/N11545	Power cord european black
P/N11737	Screw TH M5x12
P/N12473	Screw hex washer 10-24x $\frac{5}{8}$ 18-8SS
P/N13009-21	24h gear
P/N13547	Strain relief 24V
P/N13575-01	O-ring 560 CD top of tank
P/N13577-01	O-ring 560 CD distrib tube
S/A14860	Skipper wheel assy 7 days
P/N15203	Harness timer 9000/ 9500
S/A15218	Cover meter assy brass
S/A15237	Meter cover assy brass extended
S/A15381	Impeller plug 2" meter
P/N15532	Impeller shaft bearing
S/A18092-0.25	Kit BV 1600 & BLFC assy indus
S/A18092-0.50	Kit BV 1600 & BLFC assy indus
S/A18092-1	Kit BV 1600 & BLFC assy indus
S/A18330	Meter cover assy elec
S/A18393	Meter assy 2" elec
P/N19121-01	Meter cable SE/SXT 0,450 m
S/A24100	Skipper wheel assy 12 days
S/A24119	Pgm wheel assy 8 m ³
S/A24120	Pgm wheel assy 40 m ³
S/A24148	Meter assy 2" 75 m ³
S/A24149	Meter assy 2" 375 m ³
S/A24173-3	Inj assy 1700/1710
S/A24173-4	Inj assy 1700/1710
S/A24173-5	Inj assy 1700/1710
S/A24181-1.2	Kit BV 1700 assy
S/A24181-2	Kit BV 1700 assy
S/A24181-4	Kit BV 1700 assy
S/A24181-7	Kit BV 1700 assy
S/A24199-0	Inj assy 1600 2750/2850/2900/2910
S/A24199-00	Inj assy 1600 2750/2850/2900/2910
S/A24199-000	Inj assy 1600 2750/2850/2900/2910
S/A24199-1	Inj assy 1600 2750/2850/2900/2910
S/A24199-2	Inj assy 1600 2750/2850/2900/2910
S/A24199-3	Inj assy 1600 2750/2850/2900/2910
S/A24200	Pgm wheel assy 160 min 3200/3210
S/A24201	Pgm wheel assy 160 min
S/A24205	S&S kit 2900/2910 lower
S/A24535	Pgm wheel assy 375 m ³ 2900/2910/3150
S/A24536	Pgm wheel assy 75 m ³ 2900/2910/3150
S/A24537	Pgm wheel assy 100 m ³
S/A24538	Pgm wheel assy 20 m ³

S/A24555-0	Inj assy 1600 HW
S/A24555-1	Inj assy 1600 HW
S/A24555-2	Inj assy 1600 HW
S/A24555-3	Inj assy 1600 HW
P/N24874	Screw THM 5 x 8
S/A24994-0.25	BV 1600 assy 2750 WBP/2910 HW 0.25 gpm
S/A24994-0.50	BV 1600 assy 2750 WBP/2910 HW 0.50 gpm
S/A24994-1	BV 1600 assy 2750 WBP/2910 HW 1 gpm
S/A25348	Guide cable & cable assy 2750 3/4"
S/A25349	Guide cable & cable assy 2750 1"
S/A25350	Guide cable & cable assy 2850 1"
S/A25351	Guide cable & cable assy
S/A26107	S&S kit 2900/2910 lower HW
P/N26217-01	Cover assy grey - clear window
P/N26260	Transfo 60VA
S/A26677-0.25	Kit BV 1650 assy 0.25 gpm
S/A26677-0.50	Kit BV 1650 assy 0.50 gpm
S/A26677-1	Kit BV 1650 assy 1 gpm
S/A26840-0	Inj assy 1600 2750/2910 UF # 0
S/A26840-1	Inj assy 1600 2750/2910 UF # 1
S/A26840-2	Inj assy 1600 2750/2910 UF # 2
S/A26840-3	Inj assy 1600 2750/2910 UF # 3
S/A26841-3	Injector assy 1700/1710 UF #3c
S/A26841-4	Injector assy 1700/1710 UF #4c
S/A26841-5	Injector assy 1700/1710 UF #5c
S/A26841-6	Injector assy 1700/1710 UF #6c
S/A26909-0.50	BV 1600 assy 2750NBP/2850 0.50 gpm
S/A26909-1	BV 1600 assy 2750NBP/2850 1 gpm
S/A26991-1.2	BV 1700 assy 2750 NBP/2850 WBP/ 2910 1.2 gpm
S/A26991-2	BV 1700 assy 2750 NBP/2850 WBP/ 2910 2 gpm
S/A26991-4	BV 1700 assy 2750 NBP/2850 WBP/ 2910 4 gpm
S/A27105	Guide cable & cable assy 2850 1 1/2"
S/A27204-01	Drive motor assy 2510/2750/2850 DF 24V
S/A27204-31	Drive motor assy 2910 DF 24V
S/A27724-01	Timer et indus DF
S/A27724-02	Timer et indus UF
S/A27895	Guide cable & cable assy 2510 3/4" 8 m ³
S/A27927-31	Drive motor assy 24V 50/50Hz 2910 UF
P/N28008	Harness pulse timer 3230 (not shown)
S/A28380	Guide cable & cable assy 2510 3/4" 40 m ³
S/A28411	VB 2910 w/ O-ring
S/A28415	S&S kit upper
S/A28416	Piston assy 2910 upper
S/A28417	Piston assy 2910 upper UF
S/A28422-6	Inj assy 1710 2910 # 6C
S/A28422-7	Inj assy 1710 2910 # 7C
S/A28423-1.2	BV 1710 1.2 gpm except 9500
S/A28423-2	BV 1710 2 gpm except 9500

S/A28423-4	BV 1710 4 gpm except 9500
S/A28423-7	BV 1710 7 gpm except 9500
P/N40400	Harness motor ex 11667 (not shown)
S/A40941	Harness upper drive NXT (not shown)
S/A60620-10	Meter assy 2" 75 m ³ plastic
S/A60621-10	Meter assy 2" 375 m ³ plastic
S/A60625-10	Meter assy 2" elec plastic
S/ABR11893	Inj flat cover
S/ABR14038	Cover meter assy plastic
S/ABR15374	Impeller 2"
S/ABR15432	Impeller shaft for impeller 15374-01
S/ABR19791-01	Turbine meter cable elec 0,450 m
S/ABR19925	Gasket
S/ABR40422	Wire nut tan
S/ABR43346-E0	Circuit board SXT programmed eco
S/ABR61702-03	Circuit board NXT
S/ABU25028	Program wheel assy 200 m ³ 2850/2900/2910
S/ABU28412	Piston assy lower 2900/2910
S/ABU28413	Piston assy lower 2900/2910 NBP
S/ABU28414	S&S kit 2750/2900/2910 upper HW
S/ABU28515-01	VB assy 2910 DF
S/ABU28515-02	VB assy 2910 DF/NBP
S/ABU28515-03	VB assy 2910 DF HW
S/ABU28515-04	VB assy 2910 DF/NBP HW
S/ABU28515-05	VB assy 2910 UF
S/ABU28515-06	VB assy 2910 UF/NBP
P/NBU28529	Circuit board ET
P/NBU28600	Wire harness power SXT
P/NBU28610-1.2	BV 1710 2750 NBP/2850 WBP/2910 1.2 gpm
P/NBU28610-2	BV 1710 2750 NBP/2850 WBP/2910 2 gpm
P/NBU28610-4	BV 1710 2750 NBP/2850 WBP/2910 4 gpm
P/NBU28610-7	BV 1710 2750 NBP/2850 WBP/2910 7 gpm
S/ABU28614-1.2	BV 1710 2910 UF 1.2 gpm
S/ABU28614-2	BV 1710 2910 UF 2 gpm
S/ABU28614-4	BV 1710 2910 UF 4 gpm
S/ABU28614-7	BV 1710 2910 UF 7 gpm
S/ABU28704	Plug
P/NBU28712-01	Timer assy SXT 2510/2750/2850/2910
P/NBU28713	Timer assy NXT
S/ABU28714	Cover front panel & label SXT
S/ABU28797-0.25	BV 1650 assy 2750NBP/2850/2910 0.25 gpm
S/ABU28797-0.50	BV 1650 assy 2750NBP/2850/2910 0.50 gpm
S/ABU28797-1	BV 1650 assy 2750NBP/2850/2910 1 gpm
S/ABU28807-0.25	BV 1650 assy 2910 UF 0.25 gpm
S/ABU28807-0.50	BV 1650 assy 2910 UF 0.50 gpm
S/ABU28807-1	BV 1650 assy 2910 UF 1 gpm
S/APH2910-001	PH 2910 adapt 24V/50Hz 1 msw
S/APH2910-002	PH 2900/2910 adapt NXT 24V/50Hz
S/APH2910-006	Power head adapter 2910 230V no timer

3150 SPARE PARTS

Code	Description	€
P/N12473	Screw hex washer 10-24x□ 18-8SS	
P/N13575-01	O-ring 560 CD top of tank	
P/N15112	Seal 3150 adapt base	
S/A15218	Cover meter assy brass	
S/A15237	Meter cover assy brass extended	
P/N15246-01	O-ring 560 CD	
P/N15532	Impeller shaft bearing	
P/N16341-02	Inj plug 1800	
P/N16387	VB plug ½" NPT 3150/3900	
S/A18022	S&S kit 2930/3150/3900 upper	
S/A18023	Tank adapt assy 3150 SM	
S/A18024	Tank adapt assy 3150 TM	
S/A18330	Meter cover assy elec	
S/A18393	Meter assy 2" elec	
P/N19677	Screw	
S/A24148	Meter assy 2" 75 m ³	
S/A24149	Meter assy 2" 375 m ³	
P/N25165	Screw THM 12x35	
S/A25580-ALL	DLFC kit 2" 3150/3900 30 to 100 gpm	
P/N25823	O-ring 63 mm 3150 TM	
S/A26745-10	BV 1800 assy 3900 DF	
S/A26745-4	BV 1800 assy 3900 DF	
S/A26745-5	BV 1800 assy 3900 DF	
S/A26745-6	BV 1800 assy 3900 DF	
S/A26745-7	BV 1800 assy 3900 DF	
S/A26745-8	BV 1800 assy 3900 DF	
S/A26745-9	BV 1800 assy 3900 DF	
S/A60106-00	Piston assy 3150/3900 upper DF	
S/A60106-10	Piston assy 3150 upflow	
S/A60620-10	Meter assy 2" 75 m ³ plastic	
S/A60621-10	Meter assy 2" 375 m ³ plastic	
S/A60625-10	Meter assy 2" elec plastic	
S/ABR14038	Cover meter assy plastic	
S/ABR15150	Meter cover assy plastic	
S/ABR15374	Impeller 2"	
S/ABR15432	Impeller shaft for impeller 15374-01	
S/ABU28516-01	VB assy 3150 WBP	
S/ABU28516-02	VB assy 3150 NBP	
S/ABU28516-03	VB assy 3150 UF	
S/APH3150-001	PH 3150 24V/50Hz grey w/o timer	
S/APH3150-002	PH 3150/3900 NXT 24V/50Hz	

3900 SPARE PARTS

Code	Description	€
P/N12112	Screw hex HD 10-24 x 1/2	
P/N12473	Screw hex washer 10-24 x □ 18-8SS	
S/A14716-01	Meter cover assy elec 3"	
P/N15112	Seal 3150 adapt base	
P/N15246-01	O-ring 560 CD	
P/N16279	Impeller shaft meter	
P/N16341-02	Inj plug 1800	
P/N16387	VB plug 1/2" NPT 3150/3900	
S/A16400	Meter cover assy brass 240 m ³	
P/N16574	Washer	
S/A16575	Impeller assy 3"	
S/A18022	S&S kit 2930/3150/3900 upper	
S/A18042	VB adapt assy 3900 NBP	
S/A18043	VB adapt assy 3900	
S/A18044	Coupling 3900 assy	
S/A18064	S&S kit 3900 lower	
P/N19677	Screw	
P/N25165	Screw THM 12x35	
S/A25580-ALL	DLFC kit 2" 3150/3900 30 to 100 gpm	
S/A25818	Meter assy 3" 240 m ³ 3900	
S/A25819	Meter assy 3" 1200 m ³ 3900	
S/A26745-10	BV 1800 assy 3900 DF	
S/A26745-5	BV 1800 assy 3900 DF	
S/A26745-6	BV 1800 assy 3900 DF	
S/A26745-7	BV 1800 assy 3900 DF	
S/A26745-8	BV 1800 assy 3900 DF	
S/A26745-9	BV 1800 assy 3900 DF	
S/A27129	Meter assy 3" elec 3900	
S/A60106-00	Piston assy 3150/3900 upper DF	
S/A60106-10	Piston assy 3150 upflow	
S/A60107-00	Piston assy 3900 lower	
S/A60107-10	Piston assy 3900 lower NBP	
S/ABU28517-01	VB assy 3900 DF	
S/ABU28517-02	VB assy 3900 UF	
S/APH3150-001	PH 3150 24V/50Hz grey w/o timer	
S/APH3150-002	PH 3150/3900 NXT 24V/50Hz	
S/APH3900-001	PH 3900 24V/50Hz grey w/o timer	
S/APH3900-002	PH 3900 adapt 24V/50Hz	
S/APH3900-003	PH 3900 adapt duplex A 230V # 7	
S/APH3900-004	PH 3900 duplex A # 7	
S/APH3900-005	PH 3900 duplex B # 7	
S/APH3900-006	PH 3900 adapt duplex B 24V # 7	
S/APH3900-007	PH 3900 adapt NXT	

POWER HEAD 3150 & 3900 UPPER

Code	Description	€
P/N10218	Microswitch	
P/N10218	Microswitch	
P/N10231	Screw hex head indus	
P/N10302	Insulator limit switch	
P/N10302	Insulator limit switch	
P/N10872	Screw motor mounting	
P/N10872	Screw motor mounting	
P/N11080	Screw flat head	
P/N11080	Screw flat head	
P/N11709	Pin link 3150/3900	
P/N11774	Retaining ring	
P/N11898	Clip 3150/3900	
P/N11898	Clip 3150/3900	
P/N13009-21	24h gear	
P/N14822	Harness motor (not shown)	
S/A14860	Skipper wheel assy 7 days	
P/N15120-01	Bracket motor 3150/3900	
P/N16051	Retaining ring	
P/N16053	Bracket brine side	
P/N16059	Washer	
P/N16086	Bracket motor 3900	
P/N16494-04	Cam assy 3150/3900 upper UF grey	
P/N16494-05	Cam assy 3150/3900 upper DF black	
P/N16495	Cam assy 3900 lower	
P/N17797	Bracket switch mounting	
P/N17967	Liquid tight	
P/N18726-50	Spacer indicator	
S/A18963-31	Drive gear 3150 adapt	
S/A18963-39	Drive gear 3900 adapt	
P/N19121-01	Meter cable SE/SXT 0,450 m	
S/A19315	Indicator off line/on line 3900	
P/N21361	Screw TCHCM 8x16	
P/N23728	Screw THM 6x12	
S/A24100	Skipper wheel assy 12 days	
S/A24200	Pgm wheel assy 160 min 3200/3210	
S/A24201	Pgm wheel assy 160 min	
S/A24535	Pgm wheel assy 375 m ³ 2900/2910/3150	
S/A24536	Pgm wheel assy 75 m ³ 2900/2910/3150	
S/A25352	Guide cable & cable assy 3150 2"	
S/A25353	Guide cable & cable assy 3900/9500	
S/A25692	Pgm wheel assy 240 m ³ 3900	
S/A25693	Pgm wheel assy 1200 m ³ 3900	
P/N26259	Transfo 105VA 3900	
S/A26260	Transfo 60VA	
S/A26637	Cover assy 3150/3900 upper grey	
S/A27724-01	Timer et indus DF	

S/A27724-02	Timer et indus UF
P/N28409-01	Drive motor assy 3150/3900 24V
P/N40396	Harness 3150/3900 upper (not shown)
P/N40941	Harness upper drive 3200 NXT (not shown)
S/A40943	Harness 3200NT lower
S/ABR11805	Screw microswitch
S/ABR16050	Retaining ring
S/ABR16052	Bushing
S/ABR40080	Screw microswitch
S/ABR42446	Harness lower drive (ex 40405)
S/ABR61702-03	Circuit board NXT
S/ABU26638	Cover assy grey 3900 lower
S/ABU28529	Circuit board 3200 ET
P/NBU28713	Timer assy NXT 3200

VC TIMER

Code	Description	€
P/N10300	Timer screw	
P/N10896	Microswitch	
P/N11384	Screw PH 6-32 x ¼ zinc	
P/N13009-21	24h gear	
P/N13011	ARM cycle actuatuor	
P/N13014	Pointer regen	
P/N13017	Idler gear	
P/N13018	Idler pinion	
P/N13164	Drive gear ex 13723	
P/N13296	Screw	
P/N13300	Ball ¼" dia	
P/N13311	Spring detent	
P/N13312	Spring idler	
P/N13802	Cycle actuator gear	
P/N13881	Timer hinge bracket	
P/N13886	Knob timer	
P/N13887	Plate motor mounting	
P/N13902	Harness timer 3200	
P/N13911	Gear main drive timer	
P/N13953	Label cover screw black	
P/N14087	Insulator	
P/N14265	Clip spring timer	
P/N14457	Spring detent	
P/N14501	clutch 1 mm	
S/A14860	Skipper wheel assy 7 days	
P/N15055	Main drive gear & shaft	
P/N15203	Harness timer 9000/9500	
P/N15223	Cycle actuator gear	
P/N15227	Plate clutch actuator	
P/N15314	Microswitch timer	
P/N15431	Cycle actuator gear timer	
S/A18155	Pgm wheel assy 200 m ³ 9500	
S/A24100	Skipper wheel assy 12 days	
S/A24119	Pgm wheel assy 8 m ³	
S/A24120	Pgm wheel assy 40 m ³	
S/A24193	Kit meter cable assy	
S/A24194	Kit meter cable assy	
S/A24195	Kit meter cable assy 2750/3150/3900	
S/A24196	Kit meter cable assy 2750 i mm	
S/A24200	Pgm wheel assy 160 min 3200/3210	
S/A24201	Pgm wheel assy 160 min	
S/A24272	Kit meter cable assy 2750 i mm	
S/A24273	Kit meter cable assy 2750	
S/A24535	Pgm wheel assy 375 m ³ 2900/2910/3150	
S/A24536	Pgm wheel assy 75 m ³ 2900/2910/3150	

S/A24537	Pgm wheel assy 100 m ³
S/A24538	Pgm wheel assy 20 m ³
S/A24580	Pgm wheel assy 8 m ³ 9000/9100
S/A24914	Pgm wheel assy 20 m ³ 9000/9100
S/A24915	Pgm wheel assy 40 m ³ 9000/9100/9500
S/A24916	Pgm wheel assy 100 m ³ 9000/9100
S/A25692	Pgm wheel assy 240 m ³ 3900
S/A25693	Pgm wheel assy 1200 m ³ 3900
S/A25725	Kit meter cable assy 9000 1"
S/A25726	Kit meter cable assy 9500 1 ½"
P/N25803	Drive gear timer
S/A26775	Timer motor assy 230V/50Hz 1/30 RPM
S/A26778	Timer motor assy 24V/50Hz 1/30 RPM
S/A26779	Timer motor assy 24V/50Hz 1/15 RPM
S/A28257	Pgm wheel assy 160 min 3250
S/ABR15320	Microswitch
S/ABR40422	Wire nut tan
S/ABU11413	Screw pan head 4.4x11/8
S/ABU13864	Skipper wheel ring
S/ABU21099	Screw terminal strip

MISCELLANEOUS

Code	Description	€
KIT15	Top distrib 2" & pin assy 9500 HW	
KIT16	Top distrib 1" 9000 HW	
KIT160	Kit meter test except 3900	
KIT161	Kit meter test 3900	
KIT17	Kit top distrib 2" & pin assy 9500 kit 8x2	
KIT18	Top distrib 1" 9000 narrow slots	
KIT51	Kit accessories 1600 w/ BV44/AC500	
KIT57	Kit accessories 1700/1710 w/ CAC 900	
KIT78	Kit accessories 1800	
KIT8	Top distrib 2" & pin assy	
KIT9	Top distrib 2" & pin assy HW	
S/APH2910-003	PH 2900/2910 adapt duplex A	
S/APH2910-004	PH 2900/2910 adapt duplex B	
P/N10150	Grommet pass rod 2300/2310/ 2350	
P/N10160	Tube 3/8"-0.92 m	
P/N10209-01	Quad ring 560 CD	
P/N10225-0	Inj nozzle 1600 steel HW 0	
P/N10225-1	Inj nozzle 1600 steel HW 1	
P/N10225-2	Inj nozzle 1600 steel HW 2	
P/N10225-3	Inj nozzle 1600 steel HW 3	
P/N10226-0	Inj throat 1600 steel HW 0	
P/N10226-1	Inj throat 1600 steel HW 1	
P/N10226-2	Inj throat 1600 steel HW 2	
P/N10226-3	Inj throat 1600 steel HW 3	
P/N10226-4	Inj throat 1600 steel HW 4	
P/N10227	Screen inj	
P/N10249	Spring BV 1600/1650	
P/N10250	Retaining ring	
P/N10328	Elbow 90° 1/4"x 3/8" brass	
P/N10329	Fitting nut 3/8"	
P/N10330	Delrin sleeve 3/8"	
P/N10332	Insert sleeve 3/8"	
P/N10338	Pin roll 3/32x7/8	
P/N10368	Spacer narrow 3150/3900 upper	
P/N10369	Spacer ring 3150/3900 upper	
P/N10545	Seal ring 560 CD	
S/A10598-02	End plug assy 2510/2750	
S/A10598-031	End plug assy 2750/2900 UF	
P/N10621	Link valve	
P/N10696	Pin piston	
P/N10700SAN	Float white	
P/N10757	End spacer 2510/2750/2900/2910	
P/N10757B	End spacer HW brass	
P/N10909	Pin link	
P/N10913-0	Inj nozzle 0 red	

P/N10913-00	Inj nozzle 1600 00 violet
P/N10913-000	Inj nozzle 1600 000 brown
P/N10913-1	Inj nozzle 1600 1 white
P/N10913-2	Inj nozzle 1600 2 blue
P/N10913-3	Inj nozzle 1600 3 yellow
P/N10913-4	Inj nozzle 1600 4 green
P/N10913U	Inj nozzle 1600 not bored
P/N10914-0	Inj throat 1600 0 red
P/N10914-00	Inj throat 1600 00 violet
P/N10914-000	Inj throat 1600 000 brown
P/N10914-1	Inj throat 1600 1 white
P/N10914-2	Inj throat 1600 2 blue
P/N10914-3	Inj throat 1600 3 yellow
P/N11081	Nut hex
P/N11085-01	Nut HU m3
P/N11086	Screw m3x10
P/N11098	Stuffer 2510/2750
P/N11183-01	O-ring 560 CD
P/N11235	Nut hex
P/N11451	Spacer 2510/2750/2850/2900/2910
P/N11566	SBV ball stop
P/N11720	Seal 2900/2910/3150/3900
P/N11749	Stem guide
P/N11882	Adapt motor bracket stand off
P/N11912	Fitting male brine line
P/N11981-01	Retaining ring
P/N12044	Top collector pin
P/N12085	Washer 1.2 gpm
P/N12086	Washer 1.5 gpm
P/N12087	Washer 2.0 gpm
P/N12088	Washer 2.4 gpm
P/N12089	Washer 3.0 gpm
P/N12090	Washer 3.5 gpm
P/N12091	Washer 4.0 gpm
P/N12092	Washer 5.0 gpm
P/N12094	Washer 0.25 gpm BLFC
P/N12095	Washer 0.50 gpm
P/N12097	Washer 1.0 gpm dia 7.5 mm
P/N12338	Drain elbow hostafoRM 90° 1/2" HW white
P/N12408	Washer 7.0 gpm
P/N12550-01	Quad ring 560 CD
P/N12626-01	BV seat
P/N12682	Puller 2"
P/N12683	Stuffer 2"
P/N12702	Reducing bushing 1"x3/4"
P/N12733	O-ring 560 CD
P/N12763	Stuffer resid & 9000/9100
P/N12767	Screen brine line

P/N12774-01	Brine tube 1600 plastic HW
P/N12794-01	Elbow 3/8"x 3/8"
P/N12953	Rod retainer piston resid
P/N12977-01	O-ring 560 CD
S/A13001	Rod piston assy 4600/5600
S/A13001-04	Piston rod assy 5600 SE/6600/6700
P/N13061	Puller 2510/2750/resid/9000/9100
P/N13147HW-36	Tube 3/8"-0.92 m HW
P/N13166	Cover inj black
P/N13201-01	Quad ring 560 CD
P/N13245	Button retainer BLFC
P/N13287-01	O-ring 560 CD QC
P/N13301-01	O-ring 560 CD
P/N13302-01	O-ring 560 CD
P/N13303-01	O-ring
P/N13305-01	O-ring 560 CD adapt coupling
P/N13306	Roll pin
P/N13308	Drain hose barb
P/N13315	Inj mounting screw
P/N13386	Screw hex head
P/N13387	Screw inj 9000/9100
S/A13446-20	End plug assy 4600/5600 LWU grey
S/A13640	Dole 30.0 gpm
P/N13645	Tubing 3/8" HW roll 152 m
P/N13748	Screw flat head pgm wheel
P/N13759	Tool removal DLFC
P/N13771	O-ring 012
P/N13830	Pinion delayed
P/N13831	clutch delayed
P/N13847	O-ring 137 560 CD meter
P/N13885	Retainer pgm wheel
P/N13942	Nut retainer meter
P/N14043	Cable meter 209 mm
P/N14086	Cable meter 288 mm
P/N14105	Seal bypass 560CD
P/N14177	Knob bk 4600/5600
P/N14193-03	Drive panel 6700
P/N14241-01	Spacer 4600/9000 ultem HW
P/N14241-02	Spacer 4600/5600/9000/9100
P/N14252	Bearing cap
P/N14253	Retainer clutch spring
P/N14276	Spring meter clutch
P/N14309	Rod retainer piston
P/N14428	Brine tube 1650 2510 NBP plastic
P/N14430	Screw 6x 1/4"
P/N14452	Rod piston
P/N14456-20	Meter body 2"
P/N14502	Pinion i mm

P/N14568-10	Nipple 2"
P/N14569	Nut 2"
P/N14613	Flow straightener ¾" & ¾"
P/N14679-01	O-ring QC
P/N14680	Flow straightener 2"
P/N14753	Spacer 2900/2910
P/N14758	Rod piston 2900/2910 lower
P/N14769	Bracket motor
P/N14785-01	Flow control retainer
P/N14792	BV 1700 end plug
P/N14798	Spacer BV 1700
P/N14801-03C	Inj nozzle 1700/1710 3c yellow
P/N14801-04C	Inj nozzle 1700/1710 4c green
P/N14801-05C	Inj nozzle 1700/1710 5c white
P/N14801-06C	Inj nozzle 1700/1710 6c red
P/N14801-07C	Inj nozzle 1700/1710 7c black
P/N14802-03C	Inj throat 1700/1710 3c yellow
P/N14802-04C	Inj throat 1700/1710 4c green
P/N14802-05C	Inj throat 1700/1710 5c white
P/N14802-06C	Inj throat 1700/1710 6c red
P/N14802-07C	Inj throat 1700/1710 7c black
P/N14811	Seat BV 1700
P/N14813	Clip piston spring
P/N14818	Clip piston rod
P/N14870-0000	Inj throat 1600 0000
P/N14896	Geneva wheel 9000/9100/9500
P/N14910	Cable meter 171 mm
P/N14917	Crescent retaining ring 9000/9100/9500
P/N14919	Rod piston 9000/9100 upper
P/N14920	Rod piston 9000/9100 lower
P/N14921	Link piston rod 9000/9100/9500 upper
P/N14922	O-ring 035 piston
P/N14960	Flow straightener 1"
P/N14962	Nut 1"
P/N15019	Link piston rod 9000/9100/9500 lower
P/N15043-20	Meter body 1" 9000
P/N15114-20	VB 3150
P/N15125	Rod piston 3150
P/N15127-04	Inj throat 1800 4 green
P/N15127-05	Inj throat 1800 5 red
P/N15127-06	Inj throat 1800 6 white
P/N15127-07	Inj throat 1800 7 blue
P/N15127-08	Inj throat 1800 8 yellow
P/N15127-09	Inj throat 1800 9 violet
P/N15127-10	Inj throat 1800 10 black
P/N15128-04	Inj nozzle 1800 4 green
P/N15128-05	Inj nozzle 1800 5 red
P/N15128-06	Inj nozzle 1800 6 white

P/N15128-07	Inj nozzle 1800 7 blue
P/N15128-08	Inj nozzle 1800 8 yellow
P/N15128-09	Inj nozzle 1800 9 violet
P/N15128-10	Inj nozzle 1800 10 black
P/N15131	Back plate 9000/9100/9500
P/N15137	Screw 10-24x 3/8"
P/N15199	Ground plate 9000/9100/9500
P/N15215	Inj body 1600 plastic 9000
P/N15216	Cable assy meter 15.25"
P/N15247	O-ring 229
P/N15331	Screw hex head 10-24 9000
P/N15348	O-ring
P/N15368	Guide cable 9000
P/N15371	Reverse mounting bracket 1"
P/N15372	Washer 9000/9500
P/N15407	Washer timer 9000/9500
P/N15413	Elbow fitting male 1.2 t x 3/8" NPT
P/N15414	Nut 2900 w/ sleeve
P/N15415	Insert tube 1/2"
P/N15416	Tube brine 2900 8.671
P/N15425	Cable meter 13.25"
P/N15455	Cable meter 159 mm
P/N15493	Pin spring 1/16 x 5/8 SS
S/A15513	Cable meter 444 mm
P/N15526	Cable meter 143 mm
P/N15548	Screen inj
S/A15554	Main drive gear assy
P/N15692	Washer brass 9000/9500
P/N15707	O-ring 560 CD meter 3"
P/N15713	Bracket 2900/2910
P/N15810	Retaining ring 9000/9500
P/N16045	Pinion drive
P/N16046	Drive gear
P/N16047	Link drive
P/N16048-01	Bearing drive link 3150/3900 upper
P/N16067-22	VB 3900 adapt
P/N16068	Seal 3900
P/N16069	Spacer narrow 3900
P/N16070	Spacer wide 3900
P/N16072	Piston rod 3900
P/N16076	O-ring 042 3900
P/N16077	O-ring coupling adapt 3900
P/N16078	O-ring
P/N16098	Washer BV
P/N16101	Seal 2850/9500
P/N16141	Spacer narrow 2900/2910 brass HW
P/N16142	Spacer wide 2900/2910 brass HW
P/N16174	Tube silicon 2 oz

P/N16221	Inj air disperser
P/N16254	Meter body 3"
P/N16255-20	Tank adapt 3900 TM threated 6"
P/N16257	Flange segment
P/N16258	Flow disperser 3" ex 16980
P/N16280	Flow straightener 3"
P/N16328-10	Connecting flange 3"
P/N16340-20	Inj body 1800 brass DF
P/N16340-21	Inj body 1800 brass UF
P/N16341-01	Inj cover 1800
P/N16345-01	O-ring
S/A16398-01	End plug assy 3150 white
S/A16398-11	End plug assy 3150/3900 DF NBP black
S/A16398-21	End plug assy 3150/3900 UF grey
S/A16399-01	End plug assy 3900 white
S/A16399-11	End plug assy 3900 DF NBP black
P/N16433	Microswitch 9000/9500
P/N16442	Screw
P/N16453	Pipe fitting PVC
P/N16482	Flange segment
P/N16483	Flange ring
P/N16484	O-ring
P/N16508-01	Brine tube 1600
P/N16516	Stuffer 2850/9500
P/N16528	Washer 20 gpm
P/N16529	Washer 10 gpm
P/N16589	Spacer 2750/2850/2900/2910 HW
P/N16590	Piston rod retainer HW
P/N16595	Spacer solid 9000
P/N16735	Flow washer 12 gpm
P/N16736	Flow washer 15 gpm
P/N16737	Flow washer 25 gpm
P/N16738	Flow control retainer
P/N16905	Damperer float
P/N16920	Screw 2350
P/N16949	Cam trip FR 4600/5600
P/N16955	End plug S&S kit 9500
P/N16956	Piston rod 9500 lower
P/N16957	Piston rod 9500 upper
P/N16960	Brine tube 1600 9500 plastic
P/N17092	Spacer disk 9500
P/N17117	Float rod guide w/ screw
P/N17212-01	End plug assy 9500
P/N17224	O-ring
P/N17307	Washer 0.12 gpm
P/N17421	Hole plug
P/N17542	Flow straightener 1 ½"
P/N17543	Nut 1 ½"

P/N17623	Puller 2850/9500
P/N17629	Meter cable 184 mm
P/N17689	Meter body 2" plastic
P/N17723	clutch drive pinion
P/N17724	Pgm wheel pinion drive
P/N17741	Meter cable
P/N17744	Meter cable 9500 527 mm
P/N17745	Guide cable
P/N17749-00	Relay SPDT 24V
P/N17765	Triple cam 9500
P/N17776	Inj body 1600 DF
P/N17776-02	Inj body 1600 UF
P/N17777-03	Inj body 1700
P/N17790	Meter sleeve 1 1/2" to 1"
P/N17798	Screw
P/N17814	Washer 6 gpm
P/N17841-070	Cover 6700 bottom blue
P/N17845-01	Pin hinge RM
P/N17845-02	Pin hinge 2510/2750/2850/2900/2910
P/N17845-03	Pin hinge 3150/3900 env
P/N17906	Stem guide BV
P/N17919	Drive cam var brining grey
P/N17943	Flow washer 8 gpm
P/N17944	Flow washer 9 gpm
P/N17996	Inj air disperser 1700 HW
S/A18016	Repair kit BV 1700 assy
S/A18041	Tank adapt assy 3900 TM threaded 6"
S/A18055-0.25	BV 1600 assy 9500 0.25 gpm
S/A18055-0.50	BV 1600 assy 9500 0.50 gpm
S/A18055-1	BV 1600 assy 9500 1 gpm
S/A18056-0.25	BV 1600 assy 9500 repair kit
S/A18056-0.50	BV 1600 assy 9500 repair kit
S/A18056-1	BV 1600 assy 9500 repair kit
S/A18060	Inj cover resid assy
S/A18099	Harness microswitch
S/A18108	Top distrib 1" & pin HF
S/A18109	Top distrib 1" & pin hc
S/A18136	Harness meter duplex A plug
S/A18141	Pgm wheel assy 3.2 m ³
P/N18163	Harness duplex A
P/N18164	Harness duplex B
S/A18182	Top distrib 1" & pin HF HW
P/N18202	Back plate 5000 black
P/N18211-01	Main drive gear DF 5000 SXT
P/N18228	Brine cam 5000 DF
P/N18251-01	Main drive gear UF 5000 SXT
P/N18252	Brine cam 5000 UF
P/N18262	Screw

P/N18267	Piston rod 5000
P/N18268-001	End plug assy 5000
P/N18271	Inj screen
S/A18272-0	Inj assy 1600 5000 SXT #0
S/A18272-00	Inj assy 1600 5000 SXT #00
S/A18272-000	Inj assy 1600 5000 SXT #000
S/A18272-1	Inj assy 1600 5000 SXT #1
S/A18272-2	Inj assy 1600 5000 SXT #2
S/A18272-3	Inj assy 1600 5000 SXT #3
S/A18276-01	Inj plug assy
P/N18277	Cap inj
P/N18278-20	Cap regulated inj 20 psi black
P/N18280	Collector top 1"x 0.011 grey bayonet
P/N18280-01	Top distrib 1" wide slot natural
P/N18280-02	Collector top 1"x 0.008 narrow slot
P/N18280-10	Top distrib 1" HW black
P/N18301	Seal inj
P/N18317	Tube ¾" 1.25 m
S/A18320	Yoke pin assy
S/A18332-0.12	BLFC assy 1600
S/A18332-0.25	BLFC assy 1600
S/A18332-1	BLFC assy 1600
P/N18333	Adapt 1"x 1" male flexible 9000
P/N18340	Power cord UK
P/N18355	Transfo 24V 6665/6765 - old version
P/N18441	Interlock harness duplex 6 m
S/A18494	Kit inj O-ring 4600/5600
S/A18495	Kit inj O-ring 9000
P/N18563	Idler shaft spring timer 9000
P/N18702	Fitting tube ½" NPT ⅝"
P/N18703	Tube brine ⅝" od annealed
P/N18703-01	Brine tube 1800 3150/3900 UF copper
P/N18724	Window black cover 2900/2910 lower
P/N18725	Indicator off line/on line 2900/2910
P/N18727	Washer curved spring
P/N18728	Clip 9000/9500
P/N18733	Air check ball 900 dia 1.40
P/N18921-3	Injector assy 1700/1710 2850 # 3c
P/N18921-4	Injector assy 1700/1710 2850 # 4c
P/N18921-5	Injector assy 1700/1710 2850 # 5c
P/N18921-6	Injector assy 1700/1710 2850 # 6c
S/A18925	Tank adapt assy 3900 TM flanged 6"
S/A18926	Tank adapt assy 3900 SM
S/A18944	Pgm wheel assy 8 m ³ 5600 i mm
S/A18945	Pgm wheel assy 40 m ³ 5600 i mm
S/A18953	Kit O-ring 5600 1"
P/N18986	Pin
P/N18990	Seal kit 2750/2900/2910 upper

P/N18991	Seal kit 2900/2910 lower
P/N19073	Back plate RM ET
P/N19073-02	Back plate RM mech
P/N19080	Spring
P/N19121-03	Meter cable ET 2.5 m
P/N19121-04	Meter cable ET 7.7 m
P/N19121-08	Meter cable SE/SXT0.750 m
P/N19121-09	Meter cable NT/NXT 2.5 m
P/N19121-10	Meter cable NT/NXT 7.7 m
P/N19151	Washer 1.0 gpm dia 17.5 mm
P/N19152	Washer 0.8 gpm
P/N19291-070	Cover 9000/9100/9500 blue
P/N19292	O-ring BLFC 1"
P/N19300	Rod piston 2850
P/N19305	Back plate 3900 lower
P/N19337	Brine tube 1600 2850 NBP plastic
P/N19338	Brine tube 1700 2850 NBP copper
P/N19339	Spacer 2850 NBP
P/N19452	Gasket regulator 1600/1700
P/N19620-01	Yoke plastic 90° assy 3/4"
P/N19622	Piston rod 2510/2750 NBP
P/N19625	BV 1650 plastic nut assy
P/N19660-1	Timer motor 230V/60Hz 1/30 RPM
P/N19670	Piston NBP spacer 2510/2750
P/N19682	Brine tube 1700 copper
P/N19693	Pressure gauge 3150/3900 UF
P/N19699	Hose barb 45°
P/N19805	Nut SBV 2310 plastic
P/N19927	Drive cam 5000 SXT DF
P/N19928	Drive cam 5000 SXT UF
P/N21408	Tank adapt screw 3900
P/N21409	Nut
P/N21511	Hose barb 90° 1/2" x 1/2", black or grey
S/A21617	Kit BV 1600 assy
P/N21650	Float blue HW
P/N21741	O-ring drain 560 CD
P/N21761	Screw 9500
P/N21871	Tubing 3/8" roll 100 m
P/N22359	Hose barb straight hot water
P/N23020	Wire brown
P/N23045	Drive gear 6600/6700
P/N23250	Washer In 4
P/N23294	Tube 3/8" 0.74 m
P/N23477	Screw M5x7016 inj
P/N23517	Tubing 1/2" roll 50 m
P/N23727	Ground wire
P/N23804	Adaptation fitting 3/8"
P/N23950	Chlorinator microswitch 6665

P/N23953	Label WBP
P/N23954	Label NBP
P/N24024	Light support 6665
S/A24078-0.8	DLFC & hose barb bent 2510/5000
S/A24078-1	DLFC & hose barb bent 2510/5000 1 gpm
S/A24078-1.2	DLFC & hose barb bent 2510/5000
S/A24078-1.5	DLFC & hose barb bent 2510/5000
S/A24078-2	DLFC & hose barb bent 2510/5000 2 gpm
S/A24078-2.4	DLFC & hose barb bent 2510/5000
S/A24078-3	DLFC & hose barb bent 2510/5000 3gpm
S/A24078-3.5	DLFC & hose barb bent 2510/5000
S/A24078-4	DLFC & hose barb bent 2510/5000 4 gpm
S/A24078-5	DLFC & hose barb bent 2510/5000 5 gpm
S/A24078-6	DLFC & hose barb bent 2510/5000
S/A24078-7	DLFC & hose barb bent 2510/5000 7 gpm
S/A24114	BV 1600 assy resid
S/A24121-0.12	Brine cam assy 4600/5600 DF
S/A24121-0.25	Brine cam assy 4600/5600 DF
S/A24121-0.50	Brine cam assy 4600/5600 DF
S/A24121-1	Brine cam assy 4600/5600 DF
S/A24187	Bracket motor adapt assy 2 microswitches
S/A24188	Bracket motor adapt assy 3 microswitches
S/A24202-10	DLFC 3/4" NPT - 3/4" BSP 2750/2900
S/A24202-12	DLFC 3/4" NPT - 3/4" BSP 2750/2900
S/A24202-15	DLFC 3/4" NPT - 3/4" BSP 2750/2900
S/A24202-20	DLFC 3/4" NPT - 3/4" BSP 2750/2900
S/A24202-25	DLFC 3/4" NPT - 3/4" BSP 2750/2900
S/A24202-9	DLFC 3/4" NPT - 3/4" BSP 2750/2900
S/A24216-100	Timer 3240 2900/2910/3900 100 m ³
S/A24216-1200	Timer 3240 2900/2910/3900 1200 m ³
S/A24216-20	Timer 3240 2900/2910/3900 20 m ³
S/A24216-200	Timer 3240 2900/2910/3900 200 m ³
S/A24216-240	Timer 3240 2900/2910/3900 240 m ³
S/A24216-375	Timer 3240 2900/2910/3900 375 m ³
S/A24216-40	Timer 3240 2900/2910/3900 40 m ³
S/A24216-75	Timer 3240 2900/2910/3900 75 m ³
S/A24253-0.25	BV 1600 assy 2750/2900/2910
S/A24253-0.50	BV 1600 assy 2750/2900/2910
S/A24253-1	BV 1600 assy 2750/2900/2910
S/A24267-02	Drive cam assy 2510/2750/2850
S/A24267-03	Drive cam assy 2910 DF
P/N24419-10	Bypass handle red
S/A24509-02	Mixing assy 4600 HW
S/A24510	End plug assy UF white
S/A24510-20	End plug assy 6665 UF green
S/A24518	End plug assy
S/A24526	BV 1600 assy 9000/9100
S/A24528	Pgm wheel assy 90min 9000/9100

S/A24543	Meter assy 3/4" 90°
S/A24545	Kit meter cable assy 4600/5600 8 & 40 m ³ i mm.
P/N24575	Tube holder
P/N24650	Harness interlock
P/N24651	Harness interlock
P/N24664	Harness interlock
S/A24678	O-ring kit resid meter
S/A24679	O-ring kit resid inj
S/A24680	Inj cover w/ pressure regulator
P/N24685	Simplex connector
P/N24724	Control knob label silver
S/A24981	Repair kit BV 1700
S/A25079	Meter body assy 3/4" & antibackflow
S/A25171-1.2	DLFC 1" NPT - 3/4" BSP assy 1.2 gpm
S/A25171-1.5	DLFC 1" NPT - 3/4" BSP assy 1.5 gpm
S/A25171-2	DLFC 1" NPT - 3/4" BSP assy 2 gpm
S/A25171-2.4	DLFC 1" NPT - 3/4" BSP assy 2.4 gpm
S/A25171-3	DLFC 1" NPT - 3/4" BSP assy 3 gpm
S/A25171-4	DLFC 1" NPT - 3/4" BSP assy 4 gpm
S/A25171-5	DLFC 1" NPT - 3/4" BSP assy 5 gpm
S/A25171-7	DLFC 1" NPT - 3/4" BSP assy 7 gpm
P/N25175	Screw THM 8x65
P/N25176	Washer
P/N25177	Screw TCHM 6x18
S/A25500-0.25	BLFC assy 0.25 gpm 1600 indus
S/A25500-0.50	BLFC assy 0.50 gpm 1600 indus
S/A25500-1	BLFC assy 1 gpm 1600 indus
P/N25545	Reduction 2" to 1 1/2"
P/N25603	Chlorinator light harness 6665
S/A25686	BV44 w/o tube
S/A25707	Piston rod assy
S/A25708	Piston rod assy 5600 UF
S/A25736-0.12	Brine cam assy 4600/5600 DF FR
S/A25736-0.25	Brine cam assy 4600/5600 DF FR
S/A25736-0.50	Brine cam assy 4600/5600 DF FR
S/A25736-1	Brine cam assy 4600/5600 DF FR
P/N25826	Wire Harness
P/N25827	Harness duplex A
P/N25828	Harness duplex B
P/N25829	Harness 3240
P/N25831	Harness plug duplex B
P/N25833	Harness duplex A adapt
P/N25834	Harness duplex B adapt
P/N25835	Interlock harness duplex A
S/A25868	Drive gear upper 9000 assy
S/A25870	Drive gear lower 9000 assy
S/A25871	Meter assy 3/4" plastic
S/A25872	Meter assy 3/4" w/ antibackflow

S/A26007-10	Eco bypass assy 8 m ³ & red handle
S/A26021	Mixing plug assy brass
S/A26070-0.12	Brine cam assy 4600/5600 DF i mm
S/A26070-0.25	Brine cam assy 4600/5600 DF i mm
S/A26070-0.50	Brine cam assy 4600/5600 DF i mm
S/A26070-1	Brine cam assy 4600/5600 DF i mm
P/N26110	Inj label resid
S/A26116-0.12	Brine cam assy 4600/5600 DF FR i mm
S/A26116-0.25	Brine cam assy 4600/5600 DF FR i mm
S/A26116-0.50	Brine cam assy 4600/5600 DF FR i mm
S/A26116-1	Brine cam assy 4600/5600 DF FR i mm
S/A26124	Brine cam assy UF 6665/6765 - old version
S/A26125	Conversion kit 6600UF to 6665
S/A26147-10	DLFC 1" assy 2510/5000 10gpm
S/A26147-12	DLFC 1" assy 2510/5000 12 gpm
S/A26147-15	DLFC 1" assy 2510/5000 15gpm
S/A26147-8	DLFC 1" assy 2510/5000 8gpm
S/A26147-9	DLFC 1" assy 2510/5000 9gpm
S/A26149-0.12	BLFC kit assy 1600
S/A26149-0.25	BLFC kit assy 1600
S/A26149-0.50	BLFC kit assy 1600
S/A26149-1	BLFC kit assy 1600
S/A26157-10	Eco bypass assy 40 m ³ & red handle
S/A26163-0.12	BLFC kit assy w/ elbow 3/8"
S/A26163-0.25	BLFC kit assy w/ elbow 3/8"
S/A26163-0.50	BLFC kit assy w/ elbow 3/8"
S/A26163-1	BLFC kit assy w/ elbow 3/8"
S/A26207	DLFC retainer & O-ring assy
S/A26219-4	Inj assy 1800 3150/3900 UF # 4
S/A26219-5	Inj assy 1800 3150/3900 UF # 5
S/A26219-6	Inj assy 1800 3150/3900 UF # 6
S/A26219-7	Inj assy 1800 3150/3900 UF # 7
S/A26219-8	Inj assy 1800 3150/3900 UF # 8
S/A26219-9	Inj assy 1800 3150/3900 UF # 9
S/A26494-01	Kit piston assy 2850 NBP filter
S/A26494-02	Kit piston assy 2850 NBP 1600
S/A26494-03	Kit piston assy 2850 NBP 1700/1710
S/A26495-01	Kit piston assy 2750 NBP filter
S/A26495-02	Kit piston assy 2750 NBP 1600
S/A26495-03	Kit piston assy 2750 NBP 1700/1710
P/N26502	Screw M6 x 25
S/A26562	Union filter assy
S/A26583	Cover RM assy black
S/A26588-1200	PH RM duplex # 6 & 2910
S/A26588-200	PH RM duplex # 6 & 2910
S/A26588-240	PH RM duplex # 6 & 2910
S/A26588-375	PH RM duplex # 6 & 2910
S/A26588-40	PH RM duplex # 6 & 2910

S/A26588-75	PH RM duplex # 6 & 2910
P/N26644	Green light 5600LP 24V
P/N26646	Red light 5600LP 24V
S/A26652-4	BV 1800 assy 3900 UF
S/A26652-5	BV 1800 assy 3900 UF
S/A26652-6	BV 1800 assy 3900 UF
S/A26652-7	BV 1800 assy 3900 UF
S/A26652-8	BV 1800 assy 3900 UF
S/A26652-9	BV 1800 assy 3900 UF
S/A26660	Timer 3231 duplex #7 2750/2850/3150 24V
S/A26674-0.25	BLFC assy 0.25 gpm 1650 2510
S/A26674-0.50	BLFC assy 0.50 gpm 1650 2510
S/A26674-1	BLFC assy 1 gpm 1650 2510
S/A26754	BV 1800 assy 3150/3900
S/A26755-10	Inj assy 1800 3150/3900 DF
S/A26755-4	Inj assy 1800 3150/3900 DF
S/A26755-5	Inj assy 1800 3150/3900 DF
S/A26755-6	Inj assy 1800 3150/3900 DF
S/A26755-7	Inj assy 1800 3150/3900 DF
S/A26755-8	Inj assy 1800 3150/3900 DF
S/A26755-9	Inj assy 1800 3150/3900 DF
S/A26780	Timer motor assy 24V/50Hz 1 RPM
S/A26782	Top distrib 1" & pin wide slots
S/A26825-01	Motor assy 24V 2910 adapt duplex A #7
S/A26825-03	Motor assy 230V 2910 adapt duplex A #7
S/A26826-01	Motor assy 24V 2910 adapt duplex B #7
S/A26826-03	Motor assy 230V 2910 adapt duplex B #7
S/A26861	Piston assy 2750/2900 upper UF
S/A26877	Timer motor assy 24V/60Hz 1/30 RPM
S/A26954	Meter assy 3/4" 8 m ³ 2750 HW
S/A26958	BLFC plug assy
P/N27002	Label shaft pos picto 9000/9500
S/A27012-01	Kit piston assy 2510 NBP filter
S/A27012-02	Kit piston assy 2510 NBP 1650
S/A27017	Pivot clamp 2510/4200
S/A27054-20	PH RM simplex mech 20 m ³
S/A27054-75	PH RM simplex mech 75 m ³
S/A27074	Circuit board & rubber button SE
S/A27077-01	Piston assy 4600SE/SXT DF HW
S/A27095	Meter cable 9000 eco bypass
S/A27121	Elbow 3/8" x3/8" resid male
S/A27125-100	Timer 3245 duplex 2750/2850/3150 100 m ³
S/A27125-20	Timer 3245 duplex 2750/2850/3150 20 m ³
S/A27125-200	Timer 3245 duplex 2750/2850/3150 200 m ³
S/A27125-375	Timer 3245 duplex 2750/2850/3150 375 m ³
S/A27125-40	Timer 3245 duplex 2750/2850/3150 40 m ³
S/A27125-75	Timer 3245 duplex 2750/2850/3150 75 m ³
S/A27126-100	PH RM duplex #7 2750

S/A27126-20	PH RM duplex #7 2750
S/A27126-200	PH RM duplex #7 2750
S/A27126-375	PH RM duplex #7 2750
S/A27126-40	PH RM duplex #7 2750
S/A27126-75	PH RM duplex #7 2750
S/A27164	Front label 5600 eco picto w/o light
S/A27165	Front label 5600 TC picto w/o light
S/A27167	Harness power SE
S/A27182	Adjusting disk assy 8 m ³ black label
S/A27183	Adjusting disk assy 20 m ³
S/A27184	Adjusting disk assy 40 m ³
S/A27185	Adjusting disk assy 100 m ³
S/A27186	Adjusting disk assy 200 m ³
S/A27195	Adjusting disk assy 75 m ³
S/A27197	Adjusting disk assy 40 m ³ i mm white label
S/A27198	Adjusting disk assy 240 m ³
S/A27199	Adjusting disk assy 375 m ³
S/A27200	Adjusting disk assy 1200 m ³
S/A27293	Manual 2910 multilingualual
S/A27727	Timer ET RM
S/A27789-75	PH RM triplex 2900/2910
S/A27790-1200	PH RM triplex 3900 mech
S/A27790-240	PH RM triplex 3900 mech
P/N27800	front label ET picto DF
S/A27821	Adjusting disk assy 8 m ³ blue label
S/A27822	Pgm wheel assy 8 m ³ blue label
S/A27836	Repair kit BV 1800
S/A27882	Bracket motor adapt assy 1 microswitch
S/A27886	front panel assy elec 5600 SE DF
S/A27919	Chlorinator nut
S/A27932	Timer 3235 2900/2910/3900 #6
S/A27935	Chlorinator assy w/ BLFC adapt 3/8"
S/A27937	Adapt chlorinator assy
S/A27938	Meter assy 3/4" elec w/ antibackflow
S/A27941	Kit touch panel board assy 6600/6665
S/A27943	Front panel assy 6600 w/o circuit board
P/N27981	Nipple 1 1/2"
S/A27995	Meter assy 3/8" elec w/ antibackflow
S/A28010	Harness power duplex RM
P/N28011	Home/step jumper duplex RM
S/A28012	Wire fuse duplex RM
S/A28013	Harness relay duplex RM
S/A28051	front label 6700 picto var brining
P/N28109	Brine tube 1700 9500 copper
S/A28141	O-ring kit tube 9500
S/A28164	Drive cam assy 2900/2910 lower
S/A28174	Retrofit kit 9000
P/N28189	front label 5600 eco picto w/ lights

S/A28226-01	Cover front panel & label SE DF
S/A28226-02	Cover front panel & label SE UF
S/A28226-03	Cover front panel & label SE filter
S/A28226-06	Cover front panel & label SE UF 9000
S/A28230	Brine cam salt label 0,5-1,8 kg
S/A28231	Brine cam salt label 1-3,5 kg
S/A28232	Brine cam salt label 1,5-7 kg
S/A28243-07	Tube connector 9100 assy up to 7" tank
S/A28243-09	Tube connector 9100 assy up to 9" tank
S/A28243-12	Tube connector 9100 assy up to 12" tank
S/A28243-16	Tube connector 9100 assy up to 16" tank
S/A28248	Relay & harness 2750 duplex 24V
S/A28281	Harness pulse timer 3230 3150/3900
S/A28339	S&S kit 3150/3900 upper HW
S/A28348	front label et picto UF
S/A28352	VB 3900 adapt & plug
S/A28357	Kit accessories 1600 7700
S/A28359	Kit microswitch auxiliary 9000/9100/9500
S/A28388-1.5	BLFC assy 1" 1800 1.5 gpm
S/A28388-10	BLFC assy 1" 1800 10 gpm
S/A28388-15	BLFC assy 1" 1800 15 gpm
S/A28388-2	BLFC assy 1" 1800 2 gpm
S/A28388-20	BLFC assy 1" 1800 20 gpm
S/A28388-3	BLFC assy 1" 1800 3 gpm
S/A28388-3.5	BLFC assy 1" 1800 3.5 gpm
S/A28388-5	BLFC assy 1" 1800 5 gpm
S/A28388-7	BLFC assy 1" 1800 7 gpm
S/A28389	Kit brine cam & pin DF
S/A28429	End plug assy 2900/2910
S/A28430	End plug assy 2900/2910 NBP
S/A28447	VB 9100 w/ mixing & distrib adapt
S/A28461-14	Inline meter assy 1 1/2" BSP
P/N40027	Brine tube 1650 2510 plastic
P/N40078-01	End plug O-ring
P/N40368	O-ring 160 SM flange
P/N40376	Timer button SE
P/N40388	Drive motor adapt 24V 50/60Hz
P/N40409	Harness motor
P/N40541	Spacer 7700
P/N40678	Ring 9100 yoke retainer
P/N40945	Clip drain retaining 7700
P/N40946	Clip brine retaining
P/N40951	O-ring 7700
P/N41424	Piston rod 2910
P/N41447	Brine tube 1710 2910 UF plastic
P/N41500	O-ring inj 9100
P/N41547	O-ring 1710
S/A60014	Body assy SBV 2310

S/A60068-30	New float assy 2310
S/A60113-01	Piston assy 3150 NBP DF
S/A60734	Pressure regulator assy 3150/3900
S/A61562-10	Connector assy 1 1/2" BSP brass QC
S/ABR10229	Inj cover gasket
S/ABR15132	Triple cam 9000/9100 DF
S/ABR15135	Drive gear 9000/9100/9500
S/ABR15155	Inj plug 4600/5600 assy
S/ABR15452	Meter cover assy plastic 90°
S/ABR16123	Nut brass
S/ABR16395-021	End plug assy NBP std & HW
S/ABR16460	Brine tube 2850/2900/2910 plastic
S/ABR16959	Brine tube 9500 plastic
S/ABR17772	Seal 4600 HW
S/ABR19791-02	Turbine meter cable elec 0.750 m & remote
S/ABR40283	Circuit board SE
S/ABR41056	Nut assy 1/2" 1710
S/ABR41616	Nut 2" brass
S/ABR42138	Label keypad assy NXT
S/ABR42278	End cap plastic 9000/9100
S/ABR42933-10	Main drive gear 5600 SE/6600/6700
P/NBR43011-01	Seal resid & Twin
P/NBR43091	Triple cam 9000/9100 UF
P/NBR61692	Bracket support assy 6700
P/NBU10269	Holding nut
P/NBU10913-0000	Inj nozzle white
S/ABU11206	Gasket fitting
S/ABU11972	Bypass plug
S/ABU11978	Bypass side cover top
S/ABU11982-01	O-ring 560 CD
S/ABU11986	Bypass side cover bottom
S/ABU14749-20	VB 2750 DF
S/ABU15228	Return spring
S/ABU15277	Reducer coupling 2" to 1" DLFC 2"
S/ABU16394-01	O-ring 560 CD
S/ABU16436	Piston rod 2850
S/ABU16800	O-ring
S/ABU19304-00	Back plate 3150/3900 upper & lower
S/ABU19367	Cover designer screw 12.7 mm
S/ABU26955	O-ring repair kit for plastic bypass
S/ABU26968	front label TC picto w/ lights
S/ABU26970	Tape strip label 4600/5600 eco green
S/ABU26971	Tape stripe 5600 TC
S/ABU27092	Meter cable 4600 HW
S/ABU27131-01	Drive cam assy 2910 UF
S/ABU27196	Adjusting disk assy 8 m ³ i mm
S/ABU27297	Manual 4600/5600 multilingual A5
S/ABU27299	Manual SE multilingual

S/ABU27300	Manual 9000/9100/9500 multilingual
S/ABU27301	Manual 2510/2750/2850 multilingual
S/ABU27302	Manual et multilingual
S/ABU27303	Manual 3150/3900 multilingual
S/ABU27358	Manual 7700SXTmultilingual
S/ABU27365	Manual SXTmultilingual
S/ABU27370	Manual NXT multilingual
S/ABU27787	PH RM triplex 2900/2910
S/ABU27793	front label SE DF
S/ABU27794	front label SE UF
S/ABU27797	front label 6700 picto DF
S/ABU27798	front label 6700/6765 picto UF
S/ABU27799	front label 6765DVGW/6766 picto
S/ABU27801	front label et UF 2750/2900
S/ABU27803	front label et picto RM
S/ABU27887	front panel assy 5600 SE UF picto
S/ABU27976	Bracket terminal assy for ET valves
S/ABU28009	Harness low voltage duplex RM
P/NBU28103	O-ring tube 9500 small
P/NBU28104	O-ring tube 9500 large
S/ABU28111	Backplate hinged 2510/2750/2850/2910
S/ABU28233	Brine cam salt label 3 - 14 kg
S/ABU28234	Brine cam salt label 6 - 28 kg
S/ABU28318	Retrofit kit meter 9000SE
S/ABU28319	Kit 9000
S/ABU28321	Kit 9100
S/ABU28404	Kit inj O-ring 9100
S/ABU28408	Inj body 5600 black
S/ABU28426	BV repair kit 1710/2750/2850/2910
S/ABU28490	Front panel assy elec 5600 SE DB
S/ABU28511	Top distrib 1" 7700/9100/2510
S/ABU28511-01	Top distrib 1" 7700/2510
S/ABU28516-01	VB assy 3150
S/ABU28516-02	VB assy 3150 NBP
S/ABU28518-08	VB assy 4600SE/SXT filter
S/ABU28518-09	VB assy 4600se w/ mixing
S/ABU28518-10	VB assy 4600SE/SXT HW mixing
S/ABU28589-6	Inj assy 1710 2850
S/ABU28589-7	Inj assy 1710 2850
S/ABU28613	Repair kit BV 1710 9500
S/ABU28647	Brine cam 2750/2900/2910 UF
S/ABU28670	Kit microswitch elec resid
S/ABU28672	Kit microswitch 2510/2750/2850
S/ABU28673	Kit microswitch 2510/2750/2850 filter
S/ABU28674	Kit microswitch 3900
S/ABU28684	Kit S&S plastic 2850
S/ABU28685	Kit S&S plastic upper 9500
S/ABU28686	Kit S&S plastic lower 9500

P/NBU28703	Back plate 5000 microswitch auxiliary
P/NBU28724	Retrofit kit NXT
P/NBU28732	DLFC kit assy 1 1/4"
P/NBU28733	Retrofit kit SXT
P/NBU28734	Retrofit kit 7700 SXT
P/NBU28763	Kit accessories 7700 filter
P/NBU28764	Top distrib 32 mm 7700
P/NBU28780	Label shaft pos picto 9000/9500 UF
S/ABU28793-0	Kit PVC injector #0
S/ABU28793-1	Kit PVC injector #1
S/ABU28793-2	Kit PVC injector #2
S/ABU28793-3	Kit PVC injector #3
S/ABU28808	Spacer disk end plug 9500
S/ABU28824-0.12	BLFC assy 6665/6765 0.125 gpm vs14
S/ABU28824-0.25	BLFC assy 6665/6765 0.250 gpm vs14
S/ABU28824-0.50	BLFC assy 6665/6765 0.500 gpm vs14
S/ABU28825-0.12	Kit chlorine cell 6665/6765 w/BLFC 0.125
S/ABU28825-0.25	Kit chlorine cell 6665/6765 w/BLFC 0.250
S/ABU28825-0.50	Kit chlorine cell 6665/6765 w/BLFC 0.500
S/ABU28830	Manual 6600/6665/6700/6765 multilingualual
S/ABU28882	Adapter chlorine cell 6665/6765
S/ABU40952	O-ring end plug 7700
S/ABU41692	Cable kit NXT
S/ABU61929-01	End cap 9500 assy



07



HYDROPNEUMATIC VALVES AND SIATA VALVES

Cast iron hydropneumatic valves | Siata valves | Siata accessories | Siata timer | Spare siata

1. CAST IRON HYDROPNEUMATIC VALVES

TWO WAYS HYDROPNEUMATIC VALVE NO/NC	220
ACCESSORIES FOR HYDROPNEUMATIC VALVE	220
SPARE	221
SHUTTER	221
PIN	221
NBR MEMBRANE	221
GASKET BUNA	221

2. SIATA VALVES

VALVE 132	222
QUICK JOINT CONNECTIONS FOR V132 & V240	223
VALVE 230	224
THREADED CONNECTIONS FOR V132 & V240	224
250 VALVE	225
CONNECTIONS FOR V360	226
360 VALVE	227
CONNECTIONS FOR V360	227
PROFILTER VALVES AND 3 WAY VALVES	228
V351 VALVE	228
V363 VALVE	229
3 WAYS VALVE 50 MM	230
3 WAYS VALVE 63 MM	230
SEA WATER PROFILTER VALVE AND 3 WAY VALVE	231
V351 SW VALVE	231
V363 SW VALVE	231
3 WAYS SW VALVE 63 MM	231
CONNECTIONS FOR V350, V351 E 3V-50	231
CONNECTIONS FOR V363 E 3V-63	231
CONNECTIONS FOR PROFILTER SEA WATER	231

3. SIATA ACCESORIES

BY PASS	232
CONNECTIONS FOR BYPASS	232
WATER METER	232
VARIOUS ACCESSORIES	233

4. SIATA TIMER

BASE LINE SIATA TIMER	234
------------------------------------	------------

SFE	234
SFE-EV	234
AQUAIONIC	235
TIMER FOR PROFILTER VALVES	235

5. SPARES SIATA

V132 V230 V240 SPARE PARTS	236
V250 V260 SPARE PARTS	238
V360 SPARE PARTS	239
V350 V363 SPARE PARTS	240
SFE SPARE PARTS	241
SFE-EV TIMER SPARE PARTS	242
MISCELLANEOUS	243
V132 V230 V240 SPARE PARTS	243
V250 V260 SPARE PARTS	243
V360 SPARE PARTS	243
SFE TIMER SPARE PARTS	243
OLD TIMER SPARE PARTS	244
ACCESSORIES SPARE PARTS	245
ELECTRONIC BOARD	245
ALIMENTATION - CONNECTIONS	245
BOXES MECHANIZED TIMERS	246
OTHER	247

1. CAST IRON HYDROPNEUMATIC VALVE

TWO WAYS HYDROPNEUMATIC VALVE NO/NC

Way valve membrane type with inclined seat with integral passage for each type of fluid with operation normally open or normally closed

The valve allows the interception of non-aggressive fluids.

The opening or closing command can take place either manually or automatically by simply intercepting the engine fluid by means of a pilot valve.

Manual control: can be implemented by three-way ball valve 1/4" - 1/2".

Automatic Command: can be implemented by three-way pilot solenoid valve

Control fluid: The same fluid can be used from intercept. Another fluid can be used as long as it is not aggressive or compressed air. For the correct operation of the valve it is necessary that the motor or control fluid has a pressure at least equal to or greater than that of the fluid to be intercepted.



Code	Description	€
41204	Cast-iron hydropneumatic membrane valve - NA 3/4"	
41205	Cast-iron hydropneumatic membrane valve - NA 1"	
41206	Cast-iron hydropneumatic membrane valve - NA 1" 1/4	
41207	Cast-iron hydropneumatic membrane valve - NA 1" 1/2	
41208	Cast-iron hydropneumatic membrane valve - NA 2"	
41209	Cast-iron hydropneumatic membrane valve - NA 2" 1/2	
41210	Cast-iron hydropneumatic membrane valve - NA 3"	
41211	Cast-iron hydropneumatic membrane valve - NA DN 80	
41212	Cast-iron hydropneumatic membrane valve - NA DN 100	
42204	Cast-iron hydropneumatic membrane valve - NC 3/4"	
42205	Cast-iron hydropneumatic membrane valve - NC 1"	
42206	Cast-iron hydropneumatic membrane valve - NC 1" 1/4	
42207	Cast-iron hydropneumatic membrane valve - NC 1" 1/2	
42208	Cast-iron hydropneumatic membrane valve - NC 2"	
42209	Cast-iron hydropneumatic membrane valve - NC 2" 1/2	
42210	Cast-iron hydropneumatic membrane valve - NC 3"	
42211	Cast-iron hydropneumatic membrane valve - NC DN 80	
42212	Cast-iron hydropneumatic membrane valve - NC DN 100	

ACCESSORIES FOR HYDROPNEUMATIC VALVE

Code	Description	€
61204	Flow restrictors LP2 for hydropneumatic valve Ø 3/4" - 1" 1/2	
61205	Flow restrictors LP5 for hydropneumatic valve Ø 2" - 3"	
61206	Flow restrictors LP6 for hydropneumatic valve DN 80-100	

SPARES

SHUTTERS

Code	Description	€
62204NA	Shutter for hydropneumatic valve NA 3/4" - 1"	
62205NA	Shutter for hydropneumatic valve NA 1" 1/4 - 1" 1/2	
62206NA	Shutter for hydropneumatic valve NA 2"	
62207NA	Shutter for hydropneumatic valve NA 2" 1/2	
62208NA	Shutter for hydropneumatic valve NA 3"	
62209NA	Shutter for hydropneumatic valve NA DN 80	
62210NA	Shutter for hydropneumatic valve NA DN 100	
62254NC	Shutter for hydropneumatic valve NC 3/4" - 1"	
62255NC	Shutter for hydropneumatic valve NC 1" 1/4 - 1" 1/2	
62256NC	Shutter for hydropneumatic valve NC 2"	
62257NC	Shutter for hydropneumatic valve NC 2" 1/2	
62258NC	Shutter for hydropneumatic valve NC 3"	
62259NC	Shutter for hydropneumatic valve NC DN 80	€
62260NC	Shutter for hydropneumatic valve NC DN 100	

PIN

Code	Description	€
62304NA	Pin SS304 for shutter hydropneumatic valves NA 3/4" - 1"	
62305NA	Pin SS304 for shutter hydropneumatic valves NA 1 1/4"-1 1/2"	
62306NA	Pin SS304 for shutter hydropneumatic valves NA 2"	
62307NA	Pin SS304 for shutter hydropneumatic valves NA 2"1/2 - 3"	
62308NA	Pin SS304 for shutter hydropneumatic valves NA DN80	
62309NA	Pin SS304 for shutter hydropneumatic valves NA DN100	
62304NC	Pin SS304 for shutter hydropneumatic valves NC 3/4" - 1"	
62305NC	Pin SS304 for shutter hydropneumatic valves NC 1 1/4"-1 1/2"	
62306NC	Pin SS304 for shutter hydropneumatic valves NC 2"	
62307NC	Pin SS304 for shutter hydropneumatic valves NC 2"1/2 - 3"	
62308NC	Pin SS304 for shutter hydropneumatic valves NC DN80	
62309NC	Pin SS304 for shutter hydropneumatic valves NC DN100	

NBR MEMBRANE

Code	Description	€
63204	Membrane for hydropneumatic valve 3/4" - 1"	
63205	Membrana per valvole idropneumatica 1"1/4 - 1"1/2	
63206	Membrana per valvole idropneumatica 2"	
63207	Membrana per valvole idropneumatica 2"1/2 - 3"	
63208	Membrane for hydropneumatic valve DN 80	
63209	Membrane for hydropneumatic valve DN 100	

GASKET BUNA

Code	Description	€
64204	Gasket for hydropneumatic valve 3/4" - 1"	
64205	Gasket for hydropneumatic valve 1"1/4 - 1"1/2	
64206	Gasket for hydropneumatic valve 2"	
64207	Gasket for hydropneumatic valve 2"1/2 - 3"	
64208	Gasket for hydropneumatic valve DN 80	
64209	Gasket for hydropneumatic valve DN 100	

2. SIATA VALVES



132 VALVE

Valve for softening, filtration, demineralization applications.

Technical features

- Tank connection 2 "1/2
- Working pressure Maximum 8.7 bar
- Flow rate at 1 bar of ΔP - 6 m³ / h
- Typical tanks sizes from 7 " to 18"
- Quantity of regenerable resin from 15 to 150 liters

Connections IN/OUT

- Model with quick connections - Siata connectors code 2265-xxx
- Threaded model - 2 "BSP male

Accessories included

- Upper filter - Code 1001-32I
- Lower filter - Code 1002-D32

With in/out quick joint connections

Code	Description	€
V132A05	Valve for Softening	
V132F05	Valve for filter	
V132T05	Valve for softening with built-in turbine	



With in/out quick joint connections and 5 connections

Code	Description	€
V132E0505	Duplex valve 5 connections	
V132ET0505	Duplex valve 5 connection with turbine	



For demineralization with in/out quick joint connections

Code	Description	€
V132D0405	Anionic valve body assy + probe	
V132D0505	Cationic valve body assy	



QUICK JOINT CONNECTIONS FOR V132 & V240 VALVE 230

Code	Description	€
2265-3L/05	ABS - 1" elbow weld-on connection kit	
2265-A/05	NYLON - 3/4" fem. Thread fitting kit	
2265-B/05	NYLON - 1" fem.thread fitting kit	
2265-C/05	NYLON - 132/240 (1 1/4") threading kit	
2265-D/05	ABS - 1" weld-on fitting	
2265-GB/05	NYLON - 33.5 mm. Female fitting	
2265-H/05	NYLON - 132/240 valve ext. Threading (1" socket union)	
2265-I/05	NYLON - 132/240 2"1/1/4" socket threading kit	
2265-K/05	NYLON - 1 1/2" female threaded connector kit assembly	

230 VALVE

Valve for softening, filtration, demineralization applications.

Technical features

- Tank Attack 4 "
- Working pressure Maximum 8.7 bar
- Flow rate at 1 bar of ΔP - 8 m³ / h
- Typical cylinder sizes from 14 "to 21"
- Quantity of regenerable resin from 80 to 200 liters

Connections IN/OUT

- Threaded model - 2 "BSP male

Accessories included

- Upper filter - Code 1005-A / 05 for Softening
- Lower Filter - Code 1006-A / 05 for Softening
- Upper filter - Code 1005-F / 05 for Filtration
- Lower Filter - Code 1006-F / 05 for Filtration
- Upper filter - Code 1005-D / 05 for Demineralization
- Lower Filter - Code 1006-D / 05 for Demineralization

With twin pilot

Code	Description	€
V230A05	Valve for Softening	
V230F05	Valve for filter	
V230T05	Valve for softening with built-in turbine	



With external connections

Code	Description	€
V230E05	Duplex valve 5 connections	
V230ET0505	Duplex valve 5 connections with turbine	



For demineralization

Code	Description	€
V230D0505	Demineralization valve 5 connections	



THREADED CONNECTIONS FOR V132 230

Code	Description	€
494-B/05	2"-1 1/4" PVC connection assembly	
494-C/05	2" D. 40 PVC connection assembly	
494-F/05	2"- 1 1/2" brass connection kit service kit	
494-S/05	1 1/2" - 1 1/4" brass connection assembly	
494-T/05	2" G - 1"1/4" NPT connection assembly	

250 VALVE

Valve for softening applications, demineralization for head assembly.

NOTE!

This family of valves is born with the ability to supply water always slightly mixed during service. If you want completely treated water, you must opt for the valve version "without By-pass in service".

Technical features

- Tank connection 4 "
- Working pressure Maximum 6 bar
- Flow rate at 1 bar of ΔP - 20 m³ / h
- Typical cylinder sizes from 21 "to 30"
- Quantity of regenerable resin from 100 to 300 liters

Connections for inlet / outlet pipes

- Threaded model - 2 "1/4 BSP male

Accessories included

- Upper filter - Code 5200-A / 05 for Softening
- Lower filter - Code 5201-A / 05 for Softening
- Upper filter - Code 5200-D / 05 for Demineralization
- Lower filter - Code 5201-D / 05 for Demineralization

With Unstable valve

Code	Description	€
V250A05	Softening valve body assembly	



Version without By-pass during service

Code	Description	€
V250ANB05	Valve body assembly NO BY-PASS	



For demineralization

Code	Description	€
V250DNB05	DEMI valve body assembly NO BY-PASS	



CONNECTIONS FOR V250

Code	Description	€
494-A/05	PVC Connection 2 1/4" Ø 50 side valve weld-on kit	
494-G/05	brass Connection 2" 1/4 - 2" side valve kit	
494-H/05	PVC Connection 2 1/4" - 1 1/2" side valve kit	
494-P/05	brass Connection 2" 1/4 - 1" 1/2 side valve kit	

360 VALVE

Valve for softening, demineralization applications side mounting.

Technical features

- Cylinder connection: Flanged with Siata 364-xx flanges
- Inlet / outlet connection: Flanged with Siata 364-xx flanges
- Working pressure Maximum 6 bar
- Flow rate at 1 bar of ΔP - 38 m³ / h
- Typical cylinder sizes from 24 "to 48"
- Quantity of regenerable resin from 300 to 1000 liters

Code	Description	€
V360A0505	Softening valve body assy with 5 conn.	
V360F0405	Filter valve body assembly	
V360D0405	Anionic valve body assembly	
V360D0505	Cationic valve body assembly	



CONNECTIONS FOR V360

Code	Description	€
364-A/05	1 1/2" Female threaded flange	
364-B/05	2" Female threaded flange	
364-C/05	2 1/2" Female threaded flange	
364-D/05	3" Female threaded flange	
364-E01/05	50-mm. weld-on flange	
364-F01/05	63-mm. ABS weld-on flange.	
364-G01/05	75-mm. ABS weld-on flange	
364-N01/05	60.4 mm. ABS weld-on flange	
364-P01/05	3" ABS NPT weld-on flange (89,3 mm.)	
364-Q01/05	3" ABS NPT weld-on flange (90,2 mm.)	

PROFILTER VALVES AND 3 WAY VALVES

351 VALVE

Valve for Filtration applications Top mounted.

Technical features

- Tanks Attack 4 "
- Inlet / outlet connection 2 "1/4 BSP male
- 2 "1/4 BSP male drain connection
- Working pressure Maximum 6 bar
- Maximum piloting pressure 3.5 bar
- Flow rate at 1 bar of ΔP - 22 m³ / h
- Backwash flow rate at 1 bar of ΔP - 22 m³ / h

Note: This valve automatically closes the service at the beginning of the washing cycle

Note: Connections not included

Version only backwash

Code	Description	€
V351FBWFE05	Filter valve (50 mm) top mounted only backwash	



Version with rinse

Code	Description	€
V351FFE05	Top Filter valve (50 mm) top mounted	



363 VALVE

Valve for filtration applications side-mounted.

Technical features

- Tank connection: 2 "3/4 BSP male
- Inlet / outlet connection: 2 "3/4 BSP male
- Drain connection: 2 "3/4 BSP male
- Working pressure Maximum 6 bar
- Maximum piloting pressure 3.5 bar
- Flow rate at 1 bar of ΔP - 38 m³ / h
- Backwash flow rate at 1 bar of ΔP - 40 m³ / h

Note: This valve automatically closes the service at the beginning of the washing cycle

Note: Connections not included

Version only backwash

Code	Description	€
V363FBWFE05	Filter valve (63 mm) only backwash	
V363FBW105	Filter valve (63 mm) only backwash with security spring	

Version with rinse

Code	Description	€
V363FFE05	Filter valve (63 mm) only backwash with security springs	
V363FFE205	Filter valve (63 mm) with security spring	



WAYS VALVE 50 MM

3-way valve (diversion).

Technical features

- 2 1/4" BSP male connection
- Working pressure Maximum 6 bar
- Maximum piloting pressure 3.5 bar
- Flow rate at 1 bar of ΔP - 42 m³ / h with 90 ° flow

Note: Connectios not included

Code	Description	€
3V50FE05	3V-50FE/05 (50 mm)	
3V50FE105	3V-50FE1/05 (50mm) with safety spring	



WAYS VALVE 63 MM

Technical features

- 2 "connection 3/4" BSP Male
- Working pressure Maximum 6 bar
- Maximum piloting pressure 3.5 bar
- Flow rate at 1 bar of ΔP - 72 m³ / h with 90 ° flow

Note: Connections not included

Diversion valve

Code	Description	€
3V63FE05	3V-63FE/05 (63 mm)	
3V63FE105	3V-63FE1/05 (63mm) with safety spring	



SEA WATER PROFILTER VALVES AND 3 WAY VALVES

VALVE V351 SW

Code	Description	€
V351FFE06	V351FFE06 top filter valve (50 mm)	

VALVE V363 SW

Code	Description	€
V363FFE06	V363FFE06 filter valve (63 mm)	

WAY VALVE 63 MM SW

Code	Description	€
3V63FE06	3V63FE06 3V-63FE/05 (63 MM)	

CONNECTIONS FOR V350, V351 E 3V-50

Code	Description	€
494-A/05	PVC Connection 2 1/4" Ø 50 side valve weld-on kit	
494-G/05	Brass Connection 2" 1/4 - 2" side valve kit	
494-H/05	PVC Connection 2 1/4" - 1 1/2" side valve kit	
494-P/05	Brass Connection 2" 1/4 - 1" 1/2 side valve kit	



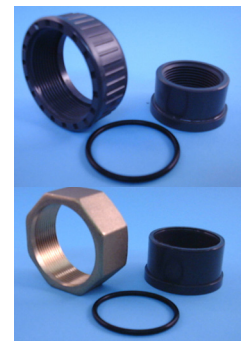
CONNECTIONS FOR V363 E 3V-63

Code	Description	€
494-I/05	2"-1 1/4" PVC Side valve connection weld-on	
494-I1/05	2"3/4 Brass - 63 mm PVC connection side valve	
494-I2/05	2"3/4 Brass - 2"PVC connection side valve kit	
494-R/05	2 3/4"-2" PVC connection side valve kit	
494-U/05	2" 3/4 -2" NPT PVC connection side valve kit	



CONNECTIONS FOR PROFILTER SEA WATER

Code	Description	€
494-A/05	PVC Connection 2 1/4" Ø 50 side valve weld-on kit	
494-H/05	PVC Connection 2 1/4" - 1 1/2" side valve kit	
494-I/05	2"-1 1/4" PVC Side valve connection weld-on kit	
494-I1/05	2"3/4 Brass - 63 mm PVC connection side valve kit	
494-I2/05	2"3/4 Brass - 2"PVC connection side valve kit	
494-R/05	2 3/4"-2" PVC connection side valve kit	
494-U/05	2" 3/4 -2" NPT PVC connection side valve kit	



3. SIATA ACCESORIES

BY PASS

The Siata bypasses allow plant maintenance to be carried out without blocking the use.

This allows easier maintenance, reducing intervention times by not requiring the disassembly of the pipes from the fittings. These exist in multiple versions, so that they can adapt to the most different installation situations.

Code	Description	€
BP-D/08	By-pass with mixer without unstable valve	
BP-DP/06	By-pass with proportional mixer and unstable valve and faucets	
BP-DP/08	By-pass with mixer without unstable valve and faucets	
BP-FD/05	By-pass for filtration	
BP-FDP/05	By-pass for filtration and faucets	
BP-FR/05	By-pass remote for filtration	
BP-R/06	By-pass remote proportional mixer and unstable valve	
BP-RP/06	By-pass remote with unstable valve and faucets	

CONNECTIONS FOR BYPASS

Code	Description	€
K-490/05	1" 1/2 female – 3/4" male Adapter (kit 2 pz)	
K-491/05	1" 1/2 female – 1" male Adapter (kit 2 pz)	
494-L/05	Kit raccordo ottone 1 1/2" - 1 1/4" (1 pz)	



WATER METERS

Code	Description	€
2296/05	G 1" 1/2 turbine meter	
2297-2M/05	G 3/4" (2 magnetic fields) turbine meter	
2297/05	G 3/4" (4910990) turbine meter	



VARIOUS ACCESSORIES

Code	Description	€
2161/05	Pin valve	
2162-A/05	NaOH (black) control one-way valve	
2162-K1/05	Viton FPM antiacid (Hcl) control one-way valve	
2163/05	Conductivity probe	
563-V/05	Viton made O'ring for control one-way valve	
590-A/05	3/8" – 3/8" MM (for V132 valve) chlorine producer	
590-B/05	3/8" – 3/8" FM (for V132 valve) chlorine producer	
BR1-100/05	Safety brine valve BR100	
2184/05	Interface Aquaionic series single	

4. SIATA TIMER

BASE LINE SIATA TIMER



SFE

Code	Description	€
SFE-BK0/05	SFE controller black twin pilots	
SFE-BK0/06	SFE meter controller black twin pilots	
SFE-BK0C/05	SFE controller black twin pilots w/chlorine drive	
SFE-BK0C/06	SFE meter controller black twin pilots w/chlorine drive	
SFE-BK201/05	2 pilots SFE controller black	
SFE-BK301/05	3 pilots SFE controller black	
SFE304/05	3 pilots SFE controller for 5 single filter valves	
SFE-BK409/05	4 pilots SFE controller	



SFE-EV

Code	Description	€
SFV0/05	SFE-EV controller twin pilots	
SFV0/06	SFE-EV meter controller twin pilots (*)	
SFV0C/05	SFE-EV controller twin pilots w/ chlorine drive	
SFV0C/06	SFE-EV meter controller twin pilots w/ chlorine drive (*)	
SFV215/05	SFE-EV controller 2 pilots	
SFV328/05	SFE-EV controller 3 pilots	
SFVDPX502/05	SFE-EV PRO Duplex Std outlet shut-off single effect valves	
SFVDPX604/05	SFE-EV PRO Duplex outlet shut-off w/double effect valves	
SFVDPX702/05	SFE-EV PRO Duplex Std w/ suction shut-off and 3 way valve for alternance	
SFVDPX710/05	SFE-EV PRO Duplex softening for 3 way valve system	



AQUAIONIC

Timer for automatic regeneration of demineralization systems. Can be used with 2 or 3 Siata valves. Allows continuous monitoring of conductivity.

Technical features

- 220V supply voltage on the transformer
- 50-60 Hz supply frequency from program

Start of regeneration

- With conductivity set point
- Immediate volumetric via Siata Turbine counter or Reed
- Through external pulse (Remote Starter)
- Manual

Signals available in the 3 DIN sockets

- Impulse of End-of-cycle
- Inhibition of Start regeneration
- Input Hall effect counter
- Input Reed counter
- Remote Starter
- Conductivity probe
- Regeneration in progress signal (Open Collector)
- Alarm



Code	Description	€
AI5-02/05	5-pilots demineralization controller	
AI7-02/05	7-pilots demineralization controller	
AI7-02/08	7- pilots demineralization controller 9 stop	

TIMER FOR PROFILTER VALVES

Timer for automatic regeneration with cams designed specifically for piloting systems with Profilter series valves. Can be used with one or more valves. The characteristics of each timer refer to those of the electronics family.

Code	Description	€
SFE101/05	1 pilot SFE for Profilter backwash (BW)	
SFE210/05	2 pilots SFE for Profilter valves (BW+RR)	
SFE410/05	4 pilots SFE for 2 Profilter valves parallel	

5. SPARES SIATA

V132 V230 V240 SPARE PARTS

Code	Description	€
2256-K01/05	Valve body service kit V132	
2256-K02/05	Valve body service kit V132 volumetric	
2258-K01/05	Valve body kit V230 fe	
2258-K02/05	Valve body kit V230 fe volumetric	
2222/05	Internal turbine assembly	
2231-B/05	Injector assy - blue	
2231-F/05	Injector for filter valves	
2231-G/05	Injector assy - grey	
2231-M/05	Injector assy - brown	
2231-N/05	Injector assy - black	
2231-R/05	Injector assy - red	
18-K/05	Injector screen	
66/05	Nut + tube sleeve - kit 1 pc	
66-K/05	Nut + tube sleeve - kit 100 pcs	
K1-31	Twin pilot drain tubing kit - 10 pcs	
2250/05	Twin pilot assembly for valves V132/V230/V240	
2250-N/05	Twin pilot assembly for valves V132/V230/V240 - black version	
2252-1/05	External pilots connections assy for valves V132/V230/V240	
2252-1N/05	External pilots connections assy for valves V132/V230/V240 - black version	
105-PORL/05	Quick connection elbow - kit 4 pcs	
105-AS1/05	Quick connection elbow 1/8" threaded - kit 4 pcs	
K-23/05	1/8" cap with O-ring - kit 10 pcs	
K-23-N/05	1/8" cap with O-ring - kit 10 pcs - black version	
22-AK/05	Twin pilot manifod assy	
22-ANK/05	Twin pilot manifod assy - black version	
22-BK/05	Twin pilot manifod assy with 1/8" connection	
22-BNK/05	Twin pilot manifod assy with 1/8" connection - black version	
22-CK/05	Short manifold	
22-CNK/05	Short manifold - black version	
22-DK/05	Short collector with insert and screw - kit	
22-DNK/05	Short collector with insert and screw - kit - black version	
24509-01	Mixing assy	
K-2224-A/05	Turbine sensor holder nut - kit 10 pcs	
K-70-1	Flow control ø3-mm. & 320 l/h (#70-1) - kit 10 pcs	
K-70-2	Flow control ø3.5-mm. & 480 l/h (#70-2) - kit 10 pcs	
K-70-3	Flow control ø4-mm. & 700 l/h (#70-3) - kit 10 pcs	
K-70-4	Flow control ø5-mm. & 950 l/h (#70-4) - kit 10 pcs	
K-70-5	Flow control ø6-mm. & 1450 l/h (#70-5) - kit 10 pcs	
K1-2249/05	Drain hose elbow for twin pilots valves - kit 5 pcs	
K1-2249-N/05	Drain hose elbow for twin pilots valves - black version - kit 5 pcs	
K1-2249-C/05	Drain hose elbow for external connection valves - kit 5 pcs	
K1-2249-CN/05	Drain hose elbow for externa connection valves - black version - kit 5 pcs	
K1-2249-A/05	Drain connection 1" BSP male - kit 5 pcs	
K1-2249-AN/05	Drain connection 1" BSP male - kit 5 pcs - black version	
2230/05	Pistons w/ seals & spacers assy	
2230-D/05	Pistons w/ seals & spacers assy for demineralization cationic	

2230-OUT/05	Outlet piston w/ seals & spacers assy
2230-DOU/05	Outlet piston w/ seals & spacers assy for demineralization cationic
2230-IN/05	Inlet piston w/ seals & spacers assy
2230-DIN/05	Inlet piston w/ seals & spacers assy for demineralization cationic
1918/05	Inlet piston assy
1918-C/05	Outlet piston assy
1915/05	Valve cap assy
1915-N/05	Valve cap assy - black version
K1-1518/05	Seals & spacers pack closure nut - kit 10 pcs
K1-14	Short spacer - kit 10 pcs
K1-44	Internal O-rings - kit 10pcs
K1-45	External O-rings - kit 10 pcs
K1-13	Seals holder ring - kit 10 pcs
K1-15	Medium lenght spacer - kit 10 pcs
K1-16	Longer spacer - kit 10 pcs
1002-D32	Bottom strainer (ø 32.mm) for valve V132
1001-321	Upper strainer for valve V132
K-10026	Backwash flow control kit fo valves V132 & V240
K-10027	Backwash flow control washers kit
K-10028	Driver replica connection
K-9-S/05	Drain connection lock pin - kit 10 pcs
K-9/05	Inlet/outlet connection lock pin - kit 10 pcs
K-46-1/05	Rise pipe O-ring for valve V132 - kit 10 pcs
K1-6300-62	Tank adapter O-ring for V132 - kit 10 pcs
1006-A/05	Bottom strainer (ø 0.3 mm) for valve V230 (standard)
1006-F/05	Bottom strainer (ø 0,8 mm) for valve V230 (for filtration)
1006-D/05	Bottom strainer for valve V230 (for demineralization)
1005-A/05	Upper strainer (ø 0.3mm) for valve V230 (standard)
1005-F/05	Upper strainer (ø 0.8mm) for valve V230 (for filtration)
1005-D/05	Upper strainer for valve V230 (for demineralization)
5174-K/05	Rise pipe O-ring for valves V230 & 250 - kit 10 pcs
5173-PK/05	Tank adapter O-ring for valvs V230 & 250 - kit 10 pcs
K1-104	Timer fixing screws - kit 10 pcs
32-GR/05	Small piston for twin pilot assy - corrected for valve V132
106-K/05	Manifold screws - kit 10 pcs
137-B1/05	Inlet/outlet O-ring for valve V230 - kit 2 pcs
2257-K01/05	Valve body service kit V240 time clock with quick connections
2257-K03/05	Valve body service kit V240 time clock with threaded connections
2257-K04/05	Valve body service kit V240 volumetric with threaded connections
K-41/05	Piston O-rings - kit 10 pcs
K-102-L1/05	Short manifold screws - kit 10 pcs
590-A/05	Chlorine cell remote mount
590-B/05	Chlorine cell direct mount

V250 V260 SPARE PARTS

Code	Description	€
5121-M	V250 outlet body (internals not included)	
5145-BC1/05	Outlet body assembled kit (internal parts included)	
5121-ML/05	V250 outlet body + cap (internals not included)	
5120-M	V250 inlet body (internals not included)	
5145-AC1/05	Inlet body assembled kit (internal parts included)	
5120-ML/05	V250 inlet body + cap (internals not included)	
5110-BC/07	Outlet body seals and spacers kit	
5110-BC/08	Outlet body seals kit for demineralization	
5110-AC/07	Inlet body seals and spacers kit	
5110-AC/08	Inlet body seals kit for demineralization	
5141-1/05	Piston kit	
2237-2/05	Internal parts kit	
5130-1/05	Cap spare parts	
5191-1	Controller bracket	
5100-250A/06	Backwash valve kit	
5100-250/05	Backwash valve v250 complete - before 2007	
5100-250A/05	Backwash valve v250 complete double effect - before 2007	
5180-P/06	Inlet/outlet manifold - after 2007	
5180-P/05	V250 in/out body manifold - before 2007	
5160/05	V260 by-pass valve kit	
6110/05	Drain + flow carrier kit	
2265-I/05	V260 drain connection 2" male-1 1/4" female kit	
K-9-S/05	Drain connection lock pin - kit 10 pcs	
K-70-345	Kit flow control ø 4-5-6mm. - 9pcs (3 x 3pcs)	
5150-B1/05	Blue injector kit	
5150-N1/05	Black injector kit	
5150-F1/05	Filtration injector kit	
66/05	Nut + tube sleeve - kit 1 pc	
66-K/05	Nut + tube sleeve - kit 100 pcs	
106-K/05	Injector's driver self tapping - kit 10 pcs	
18-K/05	Injector's filter - kit 10 pcs	
5152-K/05	Injector cap fixer nut - kit 10 pcs	
5154-K/05	Safety threads kit	
5170-F/05	Tank adapter safety locker - kit 2 pcs	
K-5174-1	O-ring v250 adapter to valve - kit 10pcs	
5173-PK/05	Tank adapter external O-ring - kit 10 pcs	
5174-K/05	Tank adapter internal O-ring - kit 10 pcs	
5170-A/05	Tank adapter kit	
5200-A/05	Top filter (softening) kit	
5200-F/05	Top filter (filtration) kit	
5200-D/05	Top filter (demineralization) kit	
5201-A/05	Softening bottom filter kit	
5201-F/05	Filtration bottom filter kit	
5201-D/05	Demineralization bottom filter kit	
5154-K/05	Safety threads kit	
K-403	Kit piston O-ring 6325 nbr 70Sh (ld 81,92 x Cd 3,53)	
K1-5111/05	V250-v260 circlip - kit 10 pcs	
5185/05	V260 body connection kit	
5120-MF	V260 inlet valve body	
5145-ACF1/05	Inlet body assembled with internals	

5120-MFL/05	Inlet valve body + cap
5121-MF	V260 outlet valve body
5145-BCF1/05	Outlet body assembled with internals
5121-MFL/05	Outlet valve body + cap
5100-260/05	V260 backwash valve S.E.kit

V360 SPARE PARTS

Code	Description	€
K-10100	V360 blue - outlet valve body kit	
K-10101	V360 black - outlet valve body kit	
K-10102	V360 blue - inlet valve body kit	
K-10103	V360 black - inlet valve body kit	
K-10107	V360 blue - inlet filter valve body kit	
K-10108	V360 black - inlet filter valve body kit	
1958/05	V360 - long piston kit	
1958-C/05	V360 filter - short piston kit	
2270/05	V360 blue - outlet complete assy	
2270-F/05	V360 filter blue - outlet complete assly	
2270BK/05	V360 black - outlet complete assy	
2270BK-F/05	V360 filter black - outlet complete assy	
2275-B/05	V360 blue - inlet complete assy - white inj	
2275-R/05	V360 blue - inlet complete assy - red inj	
2275-N/05	V360 blue - inlet complete assy - black inj	
2275-G/05	V360 blue - inlet complete assy - grey inj	
2275BK-B/05	V360 black - inlet complete assy - white inj	
2275BK-R/05	V360 black - inlet complete assy - red inj	
2275BK-N/05	V360 black- inlet complete assy - black inj	
2275BK-G/05	V360 black- inlet complete assy - grey inj	
2275-F/05	V360 filter blue - inlet complete assy	
2275BK-F/05	V360 filter black - inlet complete assy	
2235/05	V360 - complete internal components assy kit	
2235-F/05	V360 filter - spare kit pistons	
K-10082	V360 - inlet seals and spacer assy kit	
K-10109	V360 filter - inlet seals and spacer assy kit	
K-10083	V360 - outlet seals and spacer assy kit	
K-10112	V360 filter - outlet seals and spacer assy kit	
1955/05	V360 - cap assy kit	
2236-B/05	V360 blue - blue injector kit	
2236BK-B/05	V360 black - white injector kit	
2236-R/05	V360 blue - red injector kit	
2236BK-R/05	V360 black - red injector kit	
2236-N/05	V360 blue - black injector kit	
2236BK-N/05	V360 black - black injector kit	
2236-G/05	V360 blue - grey injector kit	
2236BK-G/05	V360 black - grey injector kit	
K-10104	V360 - in/out bodies connection bolts kit	
K1-47	O-ring #47 10 pcs kit	

V350 V363 SPARE PARTS

Code	Description	€
350-106/05	Kit main piston V350FE V350BWFE	
350-106904/05	Kit main piston V350FE V350BWFE Sea Water	
351-106/05	Kit main piston V363FE V363BWFE	
351-106904/05	Kit main piston V350FE V363BWFE Sea Water	
350-105/05	Kit lower cylinder for main piston w/seals V350	
351-105/05	Kit lower cylinder for main piston w/seals V363	
350-107/05	Kit upper cylinder V350 main piston & V350 V363 3V-50FE 3V-63FE rinse block	
351-107/05	Kit upper cylinder for main piston V363	
351-107904/05	Kit upper cylinder for main piston - Sea Water	
350-108/05	Kit tie tension road V350FE	
350-110/05	Kit tie tension road V350BWFE	
350-111/05	Kit tie tension road 3V 50FE	
351-108/05	Kit tie tension road V363FE	
351-110/05	Kit tie tension road V363BWFE	
351-111/05	Kit tie tension road 3V 63FE	
351-103/05	Kit closure screw head V350 main piston & V350 V363 3V-50FE 3V-63FE rinse block	
351-104/05	Kit closure screw head for main piston V363	
350-5/05	Kit closure head w/O-ring V350 main piston & V350 V363 3V-50FE 3V-63FE rinse block	
350-5N/05	Kit closure head w/O-ring V350 main piston & V350 V363 3V-50FE 3V-63FE rinse block black	
351-5/05	Kit closure head for main piston w/O-ring V363	
351-5N/05	Kit closure head for main piston w/O-ring - black version V363	
350-4L/05	Kit block guide for main piston w/O-ring V350	
351-4L/05	Kit block guide for main piston w/O-ring V363	
350-4NL/05	Kit block guide for main piston w/O-ring - black version V350	
351-4NL/05	Kit block guide for main piston w/O-ring - black version V363	
350-1/05	Kit in/out single block w/O-rings V350	
351-1FE/05	Kit in/out single block w/O-rings V363	
350-1N/05	Kit in/out single block w/O-rings - black version V350	
351-1FEN/05	Kit in/out single block w/O-rings - black version V363	
350-101/05	Kit lower small cylinder for rinse block V350 3V 50FE	
351-101/05	Kit lower small cylinder for rinse block V363 3V 63FE	
350-107/05	Kit upper cylinder V350 main piston & V350 V363 3V-50FE 3V-63FE rinse block	
350-102/05	Kit piston for rinse block V350 3V 50FE	
350-102904/05	Kit piston stainless steal (aisi-904) for rinse block - Sea Water V350 3V 50FE	
351-102/05	Kit piston for rinse block V363 3V 63FE	
351-102904/05	Kit piston stainless steal (aisi-904) for rinse block - Sea Water V363 3V 63FE	
350-5/05	Kit closure head w/O-ring V350 main piston & V350 V363 3V-50FE 3V-63FE rinse block	
350-5N/05	Kit closure head w/O-ring V350 main piston & V350 V363 3V-50FE 3V-63FE rinse block black	
351-103/05	Kit closure screw head V350 main piston & V350 V363 3V-50FE 3V-63FE rinse block	
350-109/05	Kit piston guide axis for rinse block V350 3V 50FE	
351-109/05	Kit piston guide axis for rinse block V363 FE 3V 63FE	
351-3FE/05	Kit bottom open flange w/O-rings V363 FE 3V 63FE	
K350-3/05	Kit bottom open flange w/O-rings V350 3V 50FE	
350-3N	Kit bottom open flange w/O-rings - black version V350 3V 50FE	
351-3FEN	Kit bottom open flange w/O-rings - black version V363FE 3V 63FE	
350-2L/05	Kit rinse block body w/O-ring V350 3V 50FE	
350-2NL/05	Kit rinse block body w/O-ring - black version V350 3V 50FE	
351-2FE/05	Kit rinse block body w/O-ring V363FE 3V 63FE	

SFE SPARE PARTS

Code	Description	€
856-SFE-K1	SFE controller front plate kit with standard lable	
K-7930-24	Electronic board SFE standard w/ chloride driver	
K-7930-23	Electronic board SFE standard	
94-SR7K/05	Kit motor. 1g/1 12V 50 Hz	
K-10117	SFE back connectorr kit w/ internal wiring	
K-10110	Kit meter cable for back connector	
K-10111	Chloride cell cable for back connector	
k-10113	SFE back connector cover cap - kit 10 pcs	
K-10009	Transformer standard 230/12 VAC 600mA	
K-90	Cable lock clip - kit 10 pcs	
2229/05	Twin pilot cam kit	
K-10114	Kit SFE standard box - blue version	
K-10115	Kit SFE standard box - black version	
K88-L2/05	Kit aux and homing for microswitch with blue support	
K88-BKL2/05	Kit aux and homing for microswitch with black support	
K-10118	Microswitch red harness kit	
K-10147	Kit blue spacer 10 pcs	
K-10145	Kit black spacer 10 pcs	
K-10148	Kit blue spacer w/ chamfer 10 pcs	
K-10146	Kit black spacer w/ chamfer pcs	
2253-AM/05	Kit external pilot with blind holes (1th pilot) - blue version	
2253-AMN/05	Kit external pilot with blind holes (1th pilot) - black version	
2253-BM/05	Kit external pilot with clearance holes - blue version	
2253-BMN/05	Kit external pilot with clearance holes - black version	
468-K2	Tie rods & nuts kit for 2 pilot camshaft	
468-K3	Tie rods & nuts kit for 3 pilot camshaft	
468-K4	Tie rods & nuts kit for 4 pilot camshaft	
433-KBM/05	Camshaft backplate kit - blue version	
433-KNM/05	Camshaft backplate kit - black version	
2221-2/05	Kit cam 201 - 2 pilots standard	
2221-2FBW/05	Kit cam 210 - 2 pilots for profilter	
2221-3CU/05	Kit cam 301 - 3 pilots outlet shut-off	
2221-3CA/05	Kit cam 303 - 3 pilots suction shut-off no refill	
2221-4AU/05	Kit cam 409 - 4 pilots outlet + suction shut-off	
2221-4FBW/05	Kit cam 410 - 4 pilots for 2 filters sequential regeneration	
K-114-DX	Spring for standard motor - kit 10 pcs	
K-92-F	Kit microswitch 10 pcs	
K-90-XP	Kit cable holder #90-XP 10 pcs	
K-118	Screw #118 - kit 25 pcs	
K1-120	Screw #120 - kit 10 pcs	

SFE-EV TIMER SPARE PARTS

Code	Description	€
K-10047	Kit motherboard for SFE-EV w/ flat cable	
K-10025/01	Kit electronic board flat-SFE-EV w/frame & screws	
K-10025-C/01	Kit electronic board SFE-EV chlorine w/frame & screws	
K-10145/01	Kit electronic board SFE-EV Viridion w/frame & screws	
K-10145-C/01	Kit electronic board SFE-EV Viridion chlorine w/frame & screws	
K-10048	Kit interface board SFE-EV w/o flat cable	
94-SR7K/05	Kit motor. 1g/1 12V 50Hz	
K-10001	Assy cam driver	
K-10003	Black bracket assy	
2221-215/05	Kit assy external pilot w/215 cam	
2221-328/05	Cam 3 pilots w/gear	
2229-1/05	Cam asimetric kit Viridion TP	
K-10008	Back cover with spacer and screw assy	
K-10009	Transformer 230/11,5 VAC 0,6 with strain	
88-NL2/05	Microswitch with black blocking plate	
K-10004	Brine valve assy 1 gpm	
K-10002/01	Black box w/cover standard	
K-10002/02	Kit black box with cover Viridion	
433-KNM/05	Camshaft black backplate kit	
2253-BMN/05	Kit pilot halfway position quick connection - black	
2253-AMN/05	Kit ext pilot black with blind holes (1st pilot)	
468-K2	Coupling bar for 2 external drivers	
468-K3	Coupling bar for 3 external drivers	
K-10146	Kit for SFE-EV TP + conductivity probe	
K-10147	Kit for SFE-EV external pilot + conductivity probe	
K-10148	Kit SFE-EV Viridion conductivity harness 500mm	
K-10110	Kit meter cable 50cm for back connector	
K-10111	Chloride cell cable for back connector	

MISCELLANEOUS

V132 V230 V240 SPARE PARTS

Code	Description	€
2258-D/05	O-rings kit for V132 demi	
2258/05	O-rings kit for V132	
2260/05	O-rings kit for V240	
2264/05	Kit compass guide V132/V240/V230	
K1-47	O-ring (79.70 mm x 5.34 mm) - 10pcs	

V250 V260 SPARE PARTS

Code	Description	€
2261-1/05	V250 complete O-ring set (softening and filtration)	
2261-2/05	V250 complete O-ring set (demineralization)	
105-ASG1/06	Bayonet quick coupling (100 pieces) kit	
52-AK/05	O-ring 52-A (10 pieces) kit	
135-K/05	Injector O-rings (100 pieces) kit	
5153-A/05	Injector cap kit	
2265-D/05	Fitting kit 1" ABS SIATA for V260 separated bodies	
K1-5113	V250-V260 internal spacer O-ring (10pcs)	
K1-402	V250-V260 external O-ring kit (10pcs)	

V360 SPARE PARTS

Code	Description	€
2262/05	Seal kit O-rings V360 valve	
K-10105	V360 - cap lock circlip 10 pcs kit	
K-10106	V360 - cap lock spring 10 pcs kit	
200-K/05	Quick connection cartridge 20 pcs kit	
K1-45	External O-rings - kit 10 pcs	
K-10149	Kit stem elbow for tube 6 mm - 4 pcs	

SFE TIMER SPARE PARTS

Code	Description	€
92-KIT/05	Kit aux microswitch with adjustable break-away disk	
202-M	Cap for pilot QC 6mm	
32/05	Small piston for pilot	
96-2M	Kit power cord cable 2m.	

OLD TIMER SPARE PARTS

Code	Description	€
81-A/05	Kit standard box assembly for timer (microswitch not included)	
94-SR7K/05	Kit motor. 1g/1 12V 50Hz	
K88-L2/05	Kit aux and homing microswitch blue	
2253-AM/05	Kit terminal pilot quick connection 6mm.	
2253-BM/05	Kit pilot through quick connection 6mm.	
K-10148	Kit blue spacer w/chamfer 10 pcs	
K-10147	Kit blue spacer 10 pcs	
468-K2	Tie rods & nuts kit for 2 pilot camshaft	
468-K3	Tie rods & nuts kit for 3 pilot camshaft	
468-K4	Tie rods & nuts kit for 4 pilot camshaft	
468-K5	Tie rods & nuts kit for 5 pilot camshaft	
468-K6	Tie rods & nuts kit for 6 pilot camshaft	
468-K7	Tie rods & nuts kit for 7 pilot camshaft	
468-K8	Tie rods & nuts kit for 8 pilot camshaft	
433-KBM/05	Camshaft blue backplate kit	
2221-2/05	Kit cam 201 - 2 pilots standard	
2221-2FBW/05	Kit cam 210 - 2 pilots for profilter	
2221-3CU/05	Kit cam 301 - 3 pilots outlet shut-off	
2221-3CA/05	Kit cam 303 - 3 pilots suction shut-off no refill	
2221-4AU/05	Kit cam 409 - 4 pilots outlet + suction shut-off	
2221-4FBW/05	Kit cam 410 - 4 pilots for 2 filters sequential regeneration	
2221-4S/05	Kit cam 4 pilots as sketch (on demand)	
2221-5A/05	Kit cam for Aquacubic - 5 pilots duplex	
2221-5VS/05	Kit cam 5 pilots v. s. closing aspiration	
2221-6I/05	Kit cam 6 pilots ionic	
2221-6S/05	Kit cam 6 pilots as sketch	
2221-7B/05	Kit cam for Aquaionic - 7 pilots	
2221-7B9/05	Kit cam 7 pilots Ionic - 9 stop	
2221-7S/05	Kit cam 7 pilots as sketch	
2229/05	Kit cam program timer new pilot	
K1-101	Cam fixing screw for V132-V230-V240 controller	
K-89	Controller cam drive socket - kit 10pcs	
K1-104	Controller mounting screw for V132-V230-V240 - kit 10 pcs	
K-114-DX	Standard motor spring - kit 10 pcs	
K-92-F	Microswitch - kit 10 pcs	

ACCESSORIES SPARE PARTS

Code	Description	€
133-T	Antiacid check-valve 16 mm glass-ball	
136-K	L-shaped anti-acid red connector	
1548-ASS/05	Connection elbow assembly for brine	
2216/05	Device of filling temporized for brine	
5160-A/05	Bypass non-return service valve kit	
549-F/05	Lateral flanged bypass hole ø 1/4"	

ELECTRONIC BOARD

Code	Description	€
866-STEK/05	Kit electronic board for STE	
869-K/05	Kit electronic board XP controller complete	
869-MCLK/05	Kit electronic board XP mode chlorine comp.	
869-MK/05	Kit electronic board XP mode complete	
871-ACEK/05	Kit electronic board Aquacubic with 1 DIN plug	
871-SPK/05	Kit electronic board Aquacubic with 3 DIN plug	
872-9SK/05	Kit electronic board Aquaionic 9 stops	
872-E2K/05	Kit electronic board Aquaionic standard	
873-ATK/05	Kit electronic board Aquatimer with 1 DIN plug	
873-SPK/05	Kit electronic board Aquatimer with 3 DIN plugs	
875-11K/05	Kit electronic board hydraulic distributor single	
875-16K/05	Kit electronic board hydraulic distributor duplex	

ALIMENTATION - CONNECTIONS

Code	Description	€
95-STC1	Transformer 230V --> 11.5V / 6 VAC 0.6 A (for chlorine production)	
95-STD1	Transformer 230V --> 11.5V / VAC 0.6 A	
96-2M	Alimentation cable 2m double-isolated	
2223-140/05	Turbine water meter cable - lenght 140cm	
2223-2M/05	Turbine water meter cable - lenght 200cm	
2223-4M/05	Turbine water meter cable - lenght 4m	
2223-50/05	Turbine water meter cable - lenght 50cm	
2223-70/05	Turbine water meter cable - lenght 70cm	
2223-D50/05	Turbine water meter cable with DIN connection 50cm	
2223-D70/05	Turbine water meter cable with DIN connection 70cm	
2223-D140/05	Turbine water meter cable connection DIN 140cm	
861-AK/05	Kit connection DIN plug A (180)	
861-ASS/05	Assembly connecting DIN 180+270+360	
861-ASS/06	All DIN plug spare parts	
861-BK/05	Kit connection DIN plug B (270)	
861-CK/05	Kit connection DIN plug C (360)	
861-DK/06	Kit connection DIN plug D	
867	Electronic P.C.B. battery	

BOXES MECHANIZED TIMERS

Code	Description	€
BOX-2P/05	2-pilots mechanized box	
BOX-2P/06	2-pilots mechanized box without transformer	
BOX-3P/05	3-pilots mechanized box with outlet closing	
BOX-3P/08	3-pilots mechanized box 2 microswitch with cable	
BOX-5P/06	5-pilots mechanized box for cubic duplex	
BOX-7P/05	7-pilots mechanized box for DEMI (demineralization)	
BOX-7P/06	7-pilots mechanized box for DEMI (demineralization) w/ 2m cable	

OTHER

Code	Description	€
111-C	ST & SP controller blank cover plate	
32/05	Stem Teflon pilot for external timer	
470	Bracket support timer for valve V360	
5190	Controller holder assembly for valve V260	
5191-1K/05	Controller bracket for valve V250	
82	Clear cover for controller box	
K-90-XP	Cable holder #90-XP - kit 10 pcs	
K-202-M	Rapid closure pipe of Ø 6mm (red) - kit 10 pcs	





08



RUNXIN, AUTOTROL, CANATURE VALVE VALVE

Runxin valve | Autotrol valve | Canature valve | Manual valve

1. RUNXIN

RUNXIN VALVES	251
F79 VOLUMETRIC SOFTENING VALVE	252
F69 VOLUMETRIC SOFTENING VALVE	252
F63 VOLUMETRIC SOFTENING VALVE	253
F68 VOLUMETRIC SOFTENING VALVE	253
F65 VOLUMETRIC SOFTENING VALVE	254
F82 VOLUMETRIC SOFTENING VALVE	254
F67 FILTER VALVE	255
F75 FILTER VALVE	255
F73 DUPLEX VALVE	256
BY-PASS	256
RUNXIN SPARE	257

2. AUTOTROL

AUTOTROL VALVES	258
AUTOTROL 255 WITH ACCESSORIES	258
ACCESSORIES	259
SPARE 255 LOGIX VALVE BODY	259
SPARE 255 LOGIX TIMER	261
SPARE 255 MECHANIC VALVE BODY	261
SPARE 255 MECHANICS TIMER	261

3. CANATURE

BNT650 VALVE	262
BNT265F VALVE	262
BNT750 VALVE	263
BNT185 VALVE	263
BNT5850 SE- DF VALVE	264
BNT950F VALVE	264
SPARE CANATURE	265

4. MANUAL VALVE

IN/OUT VALVE	266
VALVES WITH MANUAL BACKWASH	266

1. RUNXIN



RUNXIN VALVE

RUNXIN is the most advanced and largest manufacturer of multi-port valves for water treatment both for filter applications and for softening applications.

The technology used is patented in more than 20 countries, certified according to CE and RoHS and consists of the famous high precision ceramic discs that have made Runxin famous all over the world for hot water mixers.

Unlike traditional valves with piston or cam-type structure, the Runxin valve operating principle is based on two very high precision ceramic discs produced by Runxin itself.

One disk is kept fixed while the other rotates 360° above allowing the passage of water and thus inducing the various phases of valve operation.

The valve, thanks to the advanced technology of the electronic control unit, then allows the management of the operating times, the operating mode (time / volume) and the acquisition of the various operating signals.

Blind hole
Passage to Water Inlet
Passage to Bottom Strainer
Passage to Brine Line Connector
Passage to Drain Outlet
Passage to Top Strainer
Blind hole
Moving Disk

Passage to Injector
Passage to Water Outlet
6B
6D
6C
6G
6A
6B
Passage to Bottom Strainer
Fixed Disk

RUNXIN

RUNXIN valve structure is , for adopting hermetical head faces fixed rotation to realize channel opening and closing, as well as flow direction changing. Signal collection points set on a plan circle easily realize to control automatically and five working positions couldn't be repeated.



F79 VOLUMETRIC SOFTENING VALVE

Valve for Softening, in equicurrent / counter-current choice. Construction in plastic material. The head is of electronic type for the management of the start and the regeneration cycle. This is supplied with a volumetric meter and mixing screw.

Technical features

- Service @ 1bar dP - 2.0 m³ / h
- Tank connection: 2 "1/2 8 NPSM
- Inlet / outlet connections: 3/4 "
- Operating pressure min 1.5 - max 6.0 Bar
- Operating temperature min 5 ° C - max 50 ° C
- Supply voltage: 230 VAC
- Supply frequency: 50 Hz
- Valve body material: Noryl®
- Water softener: 6 "-12"

Accessories included

- Distributor pipe Ø 27 x 1160 mm - Code ARI00364
- Top distributor Ø 27 Code ARI00345
- Bottom distributor Ø 27 Code ARI00355
- Air Check 3/8" - Code FLA18168
- Elbow 3/8" - code PI0312S



Code	Description	€
VTMF7900	Valve F79B-LCD volume 3/4" UF/DF with accessories	

F69 VOLUMETRIC SOFTENING VALVE

Valve for Softening with service in equicurrent and regeneration in countercurrent.

Construction in plastic material. The head is of electronic type for the management of the start and the regeneration cycle. The start of the regeneration is delayed volumetric with the possibility of forcing with interval 0-30 days.

Technical features

- Service @ 1bar dP - 2.0 m³ / h
- Tank connection: 2 "1/2 8 NPSM
- Inlet / outlet connections: 3/4 "
- Operating pressure min 1.5 - max 6.0 Bar
- Operating temperature min 5 ° C - max 50 ° C
- Supply voltage: 230 VAC
- Supply frequency: 50 Hz
- Valve body material: Noryl®
- Water softener: 6 "-12"

Accessories included

- Distributor pipe Ø 27 x 1160 mm - Code ARI00364
- Top distributor Ø 27 Code ARI00345
- Bottom distributor Ø 27 Code ARI00355
- Air Check 3/8" - Code FLA18168
- Elbow 3/8" - code PI0312S



Code	Description	€
VTMF6900	Valve F69P3Y/F70B Volume 3/4" UF with By-pass and accessories	

F63 VOLUMETRIC SOFTENING VALVE

Softening in equicurrent both for the service and for regeneration.
Construction in plastic material. The head is of electronic type for the management of the start and the regeneration cycle. The start of the regeneration is delayed volumetric with the possibility of forcing with interval 0-30 days.

Technical features

- Service @ 1bar dP - 4.0 m³ / h
- Tank connection: 2 "1/2 8 NPSM
- Inlet / outlet connections: 1 "
- Operating pressure min 1.5 - max 6.0 Bar
- Operating temperature min 5 ° C - max 50 ° C
- Supply voltage: 230 VAC
- Supply frequency: 50 Hz
- Valve body material: Noryl®
- Water softener: 6 "-18"

Accessories included

- Distributor pipe Ø 27 x 1160 mm - Code ARI00364
- Top distributor Ø 27 Code ARI00345
- Bottom distributor Ø 27 Code ARI00355
- Air Check 3/8" - Code FLA18168
- Elbow 3/8" - code PI0312S

Completa di accessori

Code	Description	€
VTMF6324	Valve F63C3/F70A volume 1" DF with accessories	
VTMF6345	Valve F63P3Y/F70C volume 1" DF with By-pass and accessories	



F68 VOLUMETRIC SOFTENING VALVE

Valve for Softening with service in equicurrent and regeneration in countercurrent.

Construction in plastic material. The head is of electronic type for the management of the start and the regeneration cycle. The start of the regeneration is delayed volumetric with the possibility of forcing with interval 0-30 days

Technical features

- Service @ 1bar dP - 4.0 m³ / h
- Tank connection: 2 "1/2 8 NPSM
- Inlet / outlet connections: 1 "
- Operating pressure min 1.5 - max 6.0 Bar
- Operating temperature min 5 ° C - max 50 ° C
- Supply voltage: 230 VAC
- Supply frequency: 50 Hz
- Valve body material: Noryl®
- Water softener: 6 "-18"

Accessories included

- Distributor pipe Ø 27 x 1160 mm - Code ARI00364
- Top distributor Ø 27 Code ARI00345
- Bottom distributor Ø 27 Code ARI00355
- Air Check 3/8" - Code FLA18168
- Elbow 3/8" - code PI0312S

Code	Description	€
VTMF6824	Valve F68C3/F70A volume 1" UF with accessories	
VTMF6840	Valve F68P3Y/F70C volume 1" UF with By-pass and accessories	



F65 CHRONO SOFTENING VALVE

Valve for Softening in equicurrent both for the service and for the regeneration.

Construction in plastic material. The head is of electronic type for the management of the start and the regeneration cycle. The start of regeneration is chronometric.

Technical features

- Service @ 1bar dP - 2.0 m³ / h
- Tank connection: 2 "1/2 8 NPSM
- Inlet / outlet connections: 3/4 "
- Operating pressure min 1.5 - max 6.0 Bar
- Operating temperature min 5 ° C - max 50 ° C
- Supply voltage: 230 VAC
- Supply frequency: 50 Hz
- Valve body material: Noryl®
- Water softener: 6 "-12"



Accessories included

- Distributor pipe Ø 27 x 1160 mm - Code ARI00364
- Top distributor Ø 27 Code ARI00345
- Bottom distributor Ø 27 Code ARI00355
- Air Check 3/8" - Code FLA18168
- Elbow 3/8" - code PI0312S

Code	Description	€
VTMF6500	Valve F65B1 crono 3/4" DF with accessories	

F82 VOLUMETRIC SOFTENING VALVE

Valve for Softening, in equicurrent / counter-current choice. Both for the service and for the regeneration. Construction in plastic material. The head is of electronic type for the management of the start and the regeneration cycle. This is supplied with a volumetric meter and mixing screw.

Technical features

- Service @ 1bar dP - 4.0 m³ / h
- Tank connection: 2 "1/2 8 NPSM
- Inlet / outlet connections: 1 "
- Operating pressure min 1.5 - max 6.0 Bar
- Operating temperature min 5 ° C - max 50 ° C
- Supply voltage: 230 VAC
- Supply frequency: 50 Hz
- Valve body material: Noryl®
- Water softener: 6 "-18"



Accessories included

- Distributor pipe Ø 27 x 1160 mm - Code ARI00364
- Top distributor Ø 27 Code ARI00345
- Bottom distributor Ø 27 Code ARI00355
- Air Check 3/8" - Code FLA18168
- Elbow 3/8" - code PI0312S

Code	Description	€
VTMF8200	Valve F82B-LCD/F70C volume 1" UF/DF with By-pass and accessories	

F67 FILTER VALVE

Chronometric type filtration valve. Construction in plastic material. The head is of the electronic type for managing the operating / regeneration cycles.

Technical features

- Service @ 1bar dP - 4.0 m³ / h
- Tank connection: 2 "1/2 8 NPSM
- Inlet / outlet connections: 1 "
- Operating pressure min 1.5 - max 6.0 Bar
- Operating temperature min 5 ° C - max 50 ° C
- Supply voltage: 230 VAC
- Supply frequency: 50 Hz
- Valve body material: Noryl®
- Water softener: 6 "-14"

Accessories included

- TubDistributor pipe Ø 27 x 1160 mm - Code ARI00364
- Top distributor Ø 27 Code ARI00345
- Bottom distributor Ø 27 Code ARI00355



Code	Description	€
VTMF6700	Valve F67B 1" filter with accessories	

F75 FILTER VALVE

Chronometric Filtration Valve. Construction in plastic material. The head is of the electronic type for managing the operating / regeneration cycles

Technical features

- Service @ 1bar dP - 10.0 m³ / h
- Tank connection: 4" 8 UN
- Inlet / outlet connections: 2"
- Operating pressure min 1.5 - max 6.0 Bar
- Operating temperature min 5 ° C - max 50 ° C
- Supply voltage: 230 VAC
- Supply frequency: 50 Hz
- Valve body material: Noryl®
- Water softener: 16 "-24"

Accessories included

- Distributor pipe Ø 50 x 1660 mm - Code FLA21148-01
- Bottom distributor Ø 27 Code FLA18396
- Top distributor KIT-8



Code	Description	€
VTMF7520	Valve F75A 2" filter with accessories	

F73 DUPLEX VALVE

Valve for Softening. 1 valve for 2 tanks. Volumetric alternating with electronic type head, for the management of operating / regeneration cycles.

Technical features

- Service @ 1bar dP – 3.5 m³ / h
- Tank connection: 2 "1/2 8 NPSM
- Inlet / outlet connections: 1"
- Operating pressure min 1.5 - max 6.0 Bar
- Operating temperature min 5 ° C - max 50 ° C
- Supply voltage: 230 VAC
- Supply frequency: 50 Hz
- Valve body material: Noryl®
- Water softener: 8 "-14"

Accessories included

- Distributor pipe Ø 27 x 1160 mm - Code ARI00364
- Top distributor Ø 27 Code ARI00345
- Bottom distributor Ø 27 Code ARI00355
- Air Check 3/8" - Code FLA18168
- Elbow 3/8" - code PI0312S



Code	Description	€
VTMF7300	Valve F73A Duplex 1" UF/DF with accessories	

BY-PASS

Code	Description	€
VTMF7000	By-pass F70A for valves F63 e F68	
VTMF7010	By-pass F70B for valves F65 e F69	
VTMF7030	By-pass F70C for valve F63-F68-F82 square connections	
VTMF7031	By-pass F70C for valve F63-F68-F82 straight connections	
VTMF7020	By-pass F70D for valve F79 square connections	
VTMF7021	By-pass F70D for valve F79 straight connections	



SPARE RUNXIN

Code	Description	€
VTMF6000	Transformer for Valve TMF-EU 220/12 DC 1A	
VTMF6010	Counter turbine for F79 valve	
VTMF6012	3/4 "connection O-ring counter for F79 valve	
VTMF6014	3/4 "connection for F79 valve	
VTMF6015	3/4 "connection (inlet nipple) for F79 valve	
VTMF6020	Injector body for F79 valve	
VTMF6022	F79 valve body O-ring	
VTMF6024	Injector body cover for F79 valve	
VTMF6026	Screw for F79 valve	
VTMF6028	Injector cap seal for F79 valve	
VTMF6029	Injector cap for F79 valve	
VTMF6030	Electronic control board for F79 valve	
VTMF6032	Electronic positioning board for F79	
VTMF6035	Electronic display board for F79 valve	
VTMF6036	F63C / F68C valve motor	
VTMF6040	Smoked valve cover for F79 valve	
VTMF6045	Kit O-ring tank - BLFC rubber holder - nut 3/8	
VTMF6050	Clips for suction fitting Valve F79	
VTMF6052	Quick suction connector with BLFC x Valve F79	
VTMF6058	Liter counter magnetic sensor F79 valve	
VTMF606301	Adjustment kit for 6 " tank (injector and DLFC)	
VTMF606302	Adjustment kit for 7 "tank (injector and DLFC)	
VTMF606303	Adjustment kit for 8 "tank (injector and DLFC)	
VTMF606304	Adjustment kit for 9 "tank (injector and DLFC)	
VTMF606305	Adjustment kit for 10 "tank (injector and DLFC)	
VTMF606306	Adjustment kit for 12 "tank (injector and DLFC)	
VTMF606307	Adjustment kit for 13 "tank (injector and DLFC)	
VTMF606308	Adjustment kit for 14 "tank (injector and DLFC)	
VTMF606309	Adjustment kit for 16 "tank (injector and DLFC)	
VTMF6064	Quick injector body kit Compl.di O-ring Valve F79	
VTMF6068	By-pass connection fittings without turbine	
VTMF6074	Clamps for by-pass	
VTMF6075	Clamps for By-pass F70C	
VTMF6086	Mixing screw for F79 valve	
VTMF6087	Mixing screw for F82 valve	
VTMF6088	BLFC for F79 valve	
VTMF6090	F82B valve turbine	

2. AUTOTROL

AUTOTROL VALVES

AUTOTROL 255 WITH ACCESSORIES

Valve for typically residential applications. Construction in plastic material (Noryl®). Available with mechanical or electronic controller for managing the start and stop regeneration cycle.

Technical features

- Working capacity 1 bar dP - 3.5 m³ / h
- Backwash flow 1.7 bar dP - 1.5 m³ / h
- Cylinder connection: 2 "½ 8 NPSM
- Inlet / outlet connections: 1 "
- Operating pressure min 1.4 bar - 8.3 bar max
- Operating temperature min 2 ° C - max 38 ° C
- Supply voltage: 230 VAC
- Supply frequency: 50 Hz
- Valve body material: Noryl®
- Softening tank: 6 "-14"

Accessories included in the supply

- Distributor Pipe Ø 27 x 1160 mm - Code ARI00364
- Under-valve diffuser Ø 27 - Code ARI00345
- Bottom diffuser Ø 27 - Code ARI00355
- 1 "brass mixer tap kit - Code AU100056
- Nut with integrated ogive - Code JP61D06P
- Elbow end Ø3 / 8 "x¼" - Code JP70YL06P04
- Cover for 255 series 400 valve - Code 3019870
- Cover for 255 series 700 valve - Code 1236246



Timer 460

Code	Description	€
------	-------------	---

AU100032	Valve 255/460 TC time with accessories	
----------	--	--



Timer 740

Code	Description	€
------	-------------	---

AU100036	Valve 255/740 Logix time with accessories	
----------	---	--

Timer 742

Code	Description	€
------	-------------	---

AU100015	Valve 255/742 Logix time with accessories	
----------	---	--

Timer 760

Code	Description	€
------	-------------	---

AU100038	Valve 255/760 Logix volume with accessories	
----------	---	--

Timer 762

Code	Description	€
------	-------------	---

AU100017	Valve 255/762 Logix volume with accessories	
----------	---	--



ACCESSORIES

Code	Description	€
AU100056	1" Brass Mixer fitting Kit for Autotrol 255	
AU100055	1" Plastic By-pass fitting 256 for Autotrol 255	
AU100062	Plastic kit fitting 3/4" for Autotrol 255	
AU100064	Plastic kit fitting 1" for Autotrol 255	
1040769	Plastic by-pass 256 for Autotrol 255	
1244336	Chlorine generator for Logix 255/268	
AU100072	1" Brass connection fitting kit for Autotrol 263/268 complete of plastic ringni	
1000814	Transformer 220 V - 12 V	



SPARE 255 LOGIX VALVE BODY

Code	Description	€
1244650	255 valve assy, w/o flow controls	
1033784	255 tank adapter new style	
1010154	O-ring EP	
1232370	O-ring EP	
1235340	Top plate, 255 valve, 700/860 series	
1235341	Spring, one piece, 255 valve	
1236246	Cover, valve, 255/Performa, 700/860	
1267672	Slim line cover 255 700/800	

1001404	O-ring group: tank adapter
1040459	O-ring group: piping boss
1001986	13/16" rubber insert (optional)
1000250	Valve disk kit – standard/sev
1239760	Blending Valve Kit 400 & 700 Series
1031402	Multilingual language locking bar
1234170	Locking bar screw - no. 8-9/16"
1235353	Cam 255/700-860 series valve, std, black
1238861	Motor + cable 700 series controller, 12V 50/60 Hz
1000226	Screen/cap assy w/ O-ring
1035730	"E" injector (high efficiency) - yellow (6" dia. vessels)
1035731	"F" injector (high efficiency) - peach (7" dia. vessels)
1035732	"G" injector (high efficiency) - tan (8" dia. vessels)
1035733	"H" injector (high efficiency) - Lt purple (9" dia. vessels)
1035734	"J" injector (high efficiency) - Lt blue (10" dia. vessels)
1035735	"K" injector (high efficiency) - pink (12" dia. vessels)
1035736	"L" injector (high efficiency) - orange (13-14" dia. vessels)
1000269	injector cap with O-ring
1000209	No. 7 (1.2 gpm; 4.5 lpm)
1000210	No. 8 (1.6 gpm; 6.1 lpm)
1000211	No. 9 (2.0 gpm; 7.6 lpm)
1000212	No. 10 (2.5 gpm; 9.5 lpm)
1000213	No. 12 (3.5 gpm; 13.2 lpm)
1000214	No. 13 (4.1 gpm; 15.5 lpm) no ball
1000215	No. 14 (4.8 gpm; 18.2 lpm) no ball
1243510	Regenerant refill controller, .33 gpm no ball
1032416	Air check kit 1" male
1032417	Air check kit 1/4" male (std)
1235373	Module, sensor, photo interrupter
3029962	Motor locking pin (white)
1030502	Ball, flow control internal up to no 12 included
1033066	New to old style air check adapter
1244336	Chlorine generator kit, 0.33 gpm
1266065	Cord, long, chlorine generator
1242411	Extension cord 50 cm for cabinets (motor, opt. sens., turbine wires)
1235446	Turbine cable, Logix, short
1239711	Switch kit, front mount, 0.1 Amp
1239752	Switch kit, front mount, 5 Amp
1239753	Switch kit, top plate mount, 0.1 Amp
1239754	Switch kit, top plate mount, 5 Amp

SPARE 255 MECHANIC VALVE BODY

Code	Description	€
1242147	Logix 740 C controller - picto	
1242165	Logix 760 C controller - picto	
1242159	Logix 742 C controller - picto	
1265830	Logix 762 C controller - picto	

SPARE 255 LOGIX VALVE BODY

Code	Description	€
1000232	Valve assy w/o flow controls	
1031950	Camshaft standard one piece	
1033025	Camshaft extra salt/long rinse segmented	
1033026	Camshaft long rinse segmented	
1032969	Camshaft water saver segmented	
1031391	Timer locking pin	
1000226	Screen/cap assy with O-ring	
1000209	No. 7 (1.2 gpm; 4.5 lpm)	
1000210	No. 8 (1.6 gpm; 6.1 lpm)	
1000211	No. 9 (2.0 gpm; 7.6 lpm)	
1000212	No. 10 (2.5 gpm; 9.5 lpm)	
1000213	No. 12 (3.5 gpm; 13.2 lpm)	
1000214	No. 13 (4.1 gpm; 15.5 lpm)	
1000215	No. 14 (4.8 gpm; 18.2 lpm)	
1030502	Flow control ball	
1034261	Brine refill control 1 to 10 lbs salt	
1034263	Brine refill control 1 to 19 lbs salt	
1032970	A injector - white	
1032971	B injector - blue	
1032972	C injector - red	
1000269	Injector cap with O-ring	
1033784	Tank adapter assy	
1032417	Air check kit	
1010154	O-ring EP	
1010428	O-ring 1 x 1-3/8 x 3/16 (1" riser tube)	
1031402	Multilingual language locking bar	
1234170	Top plate screw no 8 x 9/16"	
1001580	Spring, valve discs	
3019871	Top plate 255 singlespring	
1033066	New to old air check adapter	
1001404	O-ring set	
1040459	O-ring set	
1001986	13/16 rubber insert (optional)	
1000250	Standard/sev valve discs for 255	
1239760	Blending Valve Kit 400 & 700 Series	
3019873	Lever, locking cam, 255	

SPARE 255 MECHANICS TIMER

Code	Description	€
4000610	460TC control 12V/50Hz 118 grey symbol	
4000611	460TC control 12V/50Hz 59 grey symbol	
1030007	460i timer	

3. CANATURE VALVE

Canature

BNT650VALVE

The classic mechanical time valve from the extremely simple operation. The duration of the cycles is fixed and the regeneration interval is set. Ideal for economic installations. The valve includes 4 adjustment kits for different tank diameters.



Technical features

- Service 4,500 L / h
- Tank connection: 2-1 / 2 "NPSM
- Inlet / outlet connections: 1 "
- Working pressure 1.4-8.4 Bar
- Operating temperature min 1 ° C - max 42 ° C
- Supply voltage: 230 VAC
- Supply frequency: 50 Hz
- Valve body material: Noryl®
- Tank: up to 16 "

Code	Description	€
BNT650C	Valve BNT650 without by connections 1" with accessories	

BNT265F VALVE

Electronic valve with removable display. The valve has a bypass. The easy to read display shows the time, the type of regeneration set and the remaining capacity during operation.

Possibility to set timed regeneration, immediate volumetric, delayed or mixed volumetric. The cycles are adjustable as a duration.



Technical features

- Service 4,500 L / h
- Tank connection: 2-1 / 2 "NPSM
- Inlet / outlet connections: 1 "
- Working pressure 1.4-8.4 Bar
- Operating temperature min 1 ° C - max 42 ° C
- Supply voltage: 230 VAC
- Supply frequency: 50 Hz
- Valve body material: Noryl®
- Tank: up to 16 "

Code	Description	€
BNT265FC	Valve BNT265F volume remote timer with bypass 1" with accessories	

BNT750 VALVE

Extremely compact electronic valve. Simple programming that allows you to check every cycle of the regeneration by selecting it from the screen, thus avoiding waiting for the whole regeneration.

Possibility to set timed regeneration, immediate volumetric, delayed or mixed volumetric.

The cycles are adjustable as a duration. The valve is equipped with a bypass with integrated turbine to significantly reduce in-depth spaces.



Technical features

- Service 4,500 L / h
- Tank connection: 2-1 / 2 "NPSM
- Inlet / outlet connections: 1 "
- Working pressure 1.4-8.4 Bar
- Operating temperature min 1 ° C - max 42 ° C
- Supply voltage: 230 VAC
- Supply frequency: 50 Hz
- Valve body material: Noryl®
- Tank: up to 16 "

Code	Description	€
BNT750FC	Valve BNT750F BLU volume with by pass connections 1" with accessories	

BNT185 VALVE

Electronic valve with a modern design and extremely simple programming. Positioning of the piston using an optical sensor.

The valve is equipped with a bypass with integrated turbine to significantly reduce in-depth spaces.

Possibility to set timed regeneration, immediate volumetric, delayed or mixed volumetric.

The cycles are adjustable as a duration.



Technical features

- Service 4,500 L / h
- Tank connection: 2-1 / 2 "NPSM
- Inlet / outlet connections: 1 "
- Working pressure 1.4-8.4 Bar
- Operating temperature min 1 ° C - max 42 ° C
- Supply voltage: 230 VAC
- Supply frequency: 50 Hz
- Valve body material: Noryl®
- Tank: up to 16 "

Code	Description	€
BNT185C	Valve BNT185 volume with by pass connections 1" with accessories	

BNT5850 SE- DF VALVE

Electronic valve with a large color display and extremely easy to program. Possibility to set timed regeneration, immediate volumetric, delayed or mixed volumetric.

The cycles are adjustable as a duration.

Possibility to select the holiday mode.

The valve is equipped with a bypass with integrated turbine



Technical features

- Service 4,500 L / h
- Tank connection: 2-1 / 2 "NPSM
- Inlet / outlet connections: 1 "
- Working pressure 1.4-8.4 Bar
- Operating temperature min 1 ° C - max 42 ° C
- Supply voltage: 230 VAC
- Supply frequency: 50 Hz
- Valve body material: Noryl®
- Tank: up to 16 "

Code	Description	€
BNT5850SEC	Valve BNT5850 SE DF volume with bypass connections 1" full display with accessories	

BNT950F VALVE

Electronic valve with color display and user-friendly programming via icons.

The 11 mc / hr flow rate and the possibility of treating up to 290 lt of resin make it an extremely interesting valve. Possibility to set timed regeneration, immediate volumetric, delayed or mixed volumetric. The cycles are adjustable as a duration.

You can set the vacation mode that allows you to wash the resin when the system is not used for a prolonged period.



Technical features

- Service 10.000 L/h
- Tank connection: 4 NPSM
- Inlet / outlet connections: 1 1/2
- Working pressure 1.4-8.4 Bar
- Operating temperature min 1 ° C - max 42 ° C
- Supply voltage: 230 VAC
- Supply frequency: 50 Hz
- Valve body material: Noryl®
- Tank: up to 24 "

Code	Description	€
BNT950FC	Valve BNT950F volume connections 1"1/2 with accessories	

SPARE CANATURE

Code	Description	€
BNT0200474	BNT75 piston (COMPL)	
BNT02170013M	Adaptor for valve	
BNT02170029	Seal & Spacer per BNT65/BNT185 BNT85/BNT85HE	
BNT02170030	Injector stem	
BNT02170047	Complete piston for BNT65	
BNT02170054	Complete piston for BNT65 e BNT85	
BNT02170101	Complete piston for BNT85SHE	
BNT02170102	Kit seal and spacer for BNT85HE	
BNT05005607	Injector body complete for BNT65 BNT185/BNT85/BNT85HE	
BNT05010004	Platen--B15	
BNT05010005	BNT75 driving gear (B06)	
BNT05010006	BNT75 driven gear (B18)	
BNT05010007	BNT75 idler gear (B11)	
BNT05010031	Meter cable	
BNT05010046	Meter strain relief (ATTACHE)	
BNT05010055	Transformer	
BNT05010057	BNT75 PC Board (B11)	
BNT05010065	Sensor pcb (B14)	
BNT05010071	BNT75 protection pcb (B03)	
BNT05030007	BNT85 Main Gear (B07)	
BNT05030008	BNT85 Brine Gear (B10)	
BNT05030009	BNT85 Drive Gear (B06)	
BNT05030010	Main board for BNT85	
BNT05030011B	Dislay board for BNT85	
BNT05031023	Dislay board for BNT85HE	
BNT05031025	PC board scheda principale per BNT85HE	
BNT05056076M	BLFC, 0.30GPM	
BNT05056169M	DLFC 6# FOR 11" tank	
BNT05056170M	DLFC 7#, FOR 12" tank	
BNT05056171M	DLFC 8#, FOR 13" tank	
BNT05056178M	BLFC 0.7GPM	
BNT05056180	Brine piston for BNT65/BNT185/BNT85/BNT85HE	
BNT05056186M	DLFC 2#, FOR 07" tank	
BNT05056188M	DLFC 4#, FOR 09" tank	
BNT05056189M	DLFC 5#, FOR 10" tank	
BNT05056510	Motor 12V/3W 2RPM per BNT65 BNT185/BNT85/BNT85HE	
BNT22050100B	Bypass with meter (A20)	
BNT30040079M	Grey injector for 6"&7"tank -A	
BNT30040080M	Grey injector for 6"&7"tank -B	
BNT30040081M	Purple injector, for 8" tank-A	
BNT30040082M	Purple injector, for 8" tank-B	
BNT30040083M	Red injector, for 9" tank - A	
BNT30040084M	Red injector, for 9" tank - B	
BNT30040085M	White injector for 10" tank -A	
BNT30040086M	White injector for 10" tank -B	

4. MANUAL VALVE

IN/OUT VALVE

Code	Description	€
ARI00098	IN/OUT head PVC 3/4" 2 ways without accessories	
ARI00101	IN/OUT head PVC 1" 2 ways without accessories	
ARI00099	IN/OUT head PVC 3/4" 2 ways with accessories	
ARI00103	IN/OUT head PVC 1" 2 ways with accessories	
D1220-01	1190FP In-Out Head W/Fill Port without accessories	
D1400	1191 In-Out Head without accessories	



VALVES WITH MANUAL BACKWASH

Code	Description	€
ARI00104	Manual valve PVC 1" with handle without accessories	
ARI00105	Manual valve PVC 1" with handle with accessories	
ARI00116	Manual valve F56D 2" IN/OUT - 1 1/2" Drain - 4" Top-Mount without accessories	
ARI00118	Manual valve F56D 2" IN/OUT - 1 1/2" Drain - 4" Top-Mount with accessories	
ARI00120	Manual valve F56D 2" IN/OUT - 1 1/2" Drain - Side-Mount without accessories	







09



PRESSURE TANKS AND DISTRIBUTION SYSTEMS

Pressure tanks | Distribution systems

POLYPROPYLENE REINFORCED WITH FIBERGLASS PRESSURE VESSELS IDROPRO	271
THREAD 2"½ - 8 -NPSM	271
THREAD 4" TOP - 8 -NPSM	273
THREAD 4" TOP/BOTTOM 8 -NPSM	273
FLANGE 6" TOP/BOTTOM	273
BASE FOR IDROPRO PRESSURE VESSEL	274
SS316 TANKS	274
DISTRIBUTION SYSTEMS	275
TOP MOUNTING DISTRIBUTION SYSTEM FOR PIPE Ø 50 6 ARMS	275
TOP MOUNTING DISTRIBUTION SYSTEM FOR PIPE Ø 63 6 ARMS	275
TOP MOUNTING DISTRIBUTION SYSTEM FOR PIPE Ø 63 8 ARMS	275
TOP MOUNTING DISTRIBUTION SYSTEM FOR PIPE Ø 90 8 ARMS	276
TOP MOUNTING DISTRIBUTION SYSTEM FOR PIPE Ø 90 16 ARMS	276
DISTRIBUTION SYSTEM FOR 4" TOP/BOTTOM THREAD - Ø 63	277
TOP/BOTTOM DISTRIBUTION RADIAL SYSTEM DISTRIBUTION SYSTEM FOR 6" TOP/BOTTOM M.	278
FLANGE	279
CLOSURE AND REDUCTION	279
PVC PIPE	279

POLYPROPYLENE REINFORCED WITH FIBERGLASS PRESSURE VESSELS IDROPRO

IdroPro

Technical features

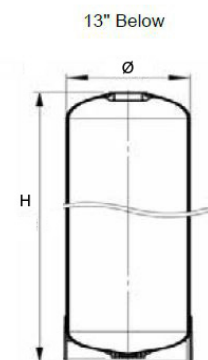
Internal liner in PE / FRP reinforced with fiberglass
 Minimum fatigue test 250,000 cycles between 0 and
 Operating pressure 0 - 10 bar
 Operating temperature 1 - 45 ° C

CONNECTION 2 "1/2 - 8 -NPSM

without base

(#) material on request not managed in stock

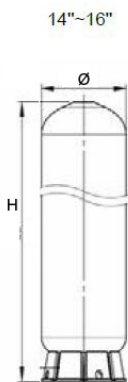
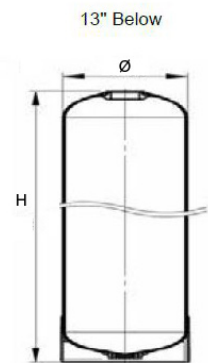
Code	Description	H total (mm)	Ø (mm)	Total volume (lt)	€
BOI0517BL/S	Pressure tank 5x17 without base (#)	425	123	3,8	
BOI0520BL/S	Pressure tank 5x20 without base (#)	515	123	4,5	
BOI0613BL/S	Pressure tank 6x13 without base	331	155	4,55	
BOI0617BL/S	Pressure tank 6x17 without base	432	155	6,25	
BOI0618BL/S	Pressure tank 6x18 without base (#)	458	155	6,8	
BOI0635BL/S	Pressure tank 6x35 without base (#)	891	155	14,1	
BOI0713BL/S	Pressure tank 7x13 without base	331	182	6,3	
BOI0717BL/S	Pressure tank 7x17 without base	432	182	8,5	
BOI0719BL/S	Pressure tank 7x19 without base (#)	484	182	9,7	
BOI0722BL/S	Pressure tank 7x22 without base (#)	562	182	11,4	
BOI0730BL/S	Pressure tank 7x30 without base (#)	763	182	15,8	
BOI0735BL/S	Pressure tank 7x35 without base	891	182	19,1	
BOI0815BL/S	Pressure tank 8x15 without base (#)	381	207	9,3	
BOI0817BL/S	Pressure tank 8x17 without base	432	207	10,5	
BOI0818BL/S	Pressure tank 8x18 without base (#)	458	207	11,5	
BOI0822BL/S	Pressure tank 8x22 without base	550	207	14,4	
BOI0824BL/S	Pressure tank 8x24 without base (#)	610	207	16,6	
BOI0830BL/S	Pressure tank 8x30 without base (#)	765	207	21	
BOI0835BL/S	Pressure tank 8x35 without base	891	207	23,6	
BOI0917BL/S	Pressure tank 9x17 without base	432	233	14	
BOI0924BL/S	Pressure tank 9x24 without base (#)	610	233	20,5	
BOI0935BL/S	Pressure tank 9x35 without base	891	233	31,6	
BOI1015BL/S	Pressure tank 10x15 without base (#)	381	259	14	
BOI1017BL/S	Pressure tank 10x17 without base	431	259	16,5	
BOI1024BL/S	Pressure tank 10x24 without base (#)	606	259	24,8	
BOI1026BL/S	Pressure tank 10x26 without base	661	259	27,3	
BOI1030BL/S	Pressure tank 10x30 without base (#)	763	259	32,3	
BOI1035BL/S	Pressure tank 10x35 without base	891	259	38,3	



With base

(#) material on request not managed in stock

Code	Description	H total (mm)	Ø (mm)	Total volume (lt)	€
BOI0517BL	Pressure tank 5x17 blu	425	123	3,8	
BOI0520BL	Pressure tank 5x20 blu	515	123	4,5	
BOI0613BL	Pressure tank 6x13 blu	336	155	4,55	
BOI0617BL	Pressure tank 6x17 blu	437	155	6,25	
BOI0618BL	Pressure tank 6x18 blu (#)	463	155	6,8	
BOI0635BL	Pressure tank 6x35 blu (#)	896	155	14,1	
BOI0713BL	Pressure tank 7x13 blu	335	182	6,3	
BOI0717BL	Pressure tank 7x17 blu	437	182	8,5	
BOI0719BL	Pressure tank 7x19 blu (#)	488	182	9,7	
BOI0722BL	Pressure tank 7x22 blu (#)	566	182	11,4	
BOI0730BL	Pressure tank 7x30 blu (#)	768	182	15,8	
BOI0735BL	Pressure tank 7x35 blu	896	182	19,1	
BOI0744BL	Pressure tank 7x44 blu	1123	182	24,3	
BOI0815BL	Pressure tank 8x15 blu (#)	385	207	9,3	
BOI0817BL	Pressure tank 8x17 blu	437	207	10,5	
BOI0818BL	Pressure tank 8x18 blu (#)	462	207	11,5	
BOI0822BL	Pressure tank 8x22 blu	555	207	14,4	
BOI0824BL	Pressure tank 8x24 blu	615	207	16,6	
BOI0830BL	Pressure tank 8x30 blu	770	207	21	
BOI0835BL	Pressure tank 8x35 blu	897	207	23,6	
BOI0844BL	Pressure tank 8x44 blu	1122	207	31,3	
BOI0917BL	Pressure tank 9x17 blu	439	233	14	
BOI0924BL	Pressure tank 9x24 blu	615	233	20,5	
BOI0935BL	Pressure tank 9X35 blu	898	233	31,6	
BOI0942BL	Pressure tank 9X42 blu	1074	233	38,5	
BOI0948BL	Pressure tank 9X48 blu	1228	233	44,6	
BOI1015BL	Pressure tank 10x15 blu (#)	384	259	14	
BOI1017BL	Pressure tank 10x17 blu	434	259	16,5	
BOI1024BL	Pressure tank 10x24 blu (#)	609	259	24,8	
BOI1026BL	Pressure tank 10x26 blu	664	259	27,3	
BOI1030BL	Pressure tank 10x30 blu (#)	765	259	32,3	
BOI1035BL	Pressure tank 10X35 blu	893	259	38,3	
BOI1040BL	Pressure tank 10X40 blu (#)	1022	259	44,7	
BOI1044BL	Pressure tank 10X44 blu	1121	259	48,8	
BOI1047BL	Pressure tank 10X47 blu	1198	259	53,2	
BOI1054BL	Pressure tank 10x54 blu	1381	259	61	
BOI1135BL	Pressure tank 11x35 blu	903	284	46,7	
BOI1144BL	Pressure tank 11x44 blu (#)	1130	284	59,8	
BOI1217BL	Pressure tank 12X17 blu	448	307	23,6	
BOI1248BL	Pressure tank 12X48 blu	1233	307	78.54	
BOI1252BL	Pressure tank 12X52 blu	1338	307	84.7	
BOI1344BL	Pressure tank 13x44 blu	1145	335	84,8	
BOI1354BL	Pressure tank 13x54 blu	1398	335	105,7	
BOI1452-2BL	Pressure tank 14x52 blu	1344	366	115	
BOI1465-2BL	Pressure tank 14x65 blu	1674	366	148	
BOI1624-2BL	Pressure tank 16x24 blu (#)	624	413	56,98	
BOI1636-2BL	Pressure tank 16x36 blu (#)	968	413	98,1	
BOI1644-2BL	Pressure tank 16x44 blu	1240	413	131,6	
BOI1652-2BL	Pressure tank 16x52 blu	1377	413	148,3	
BOI1665-2BL	Pressure tank 16x65 blu	1706	413	188,6	

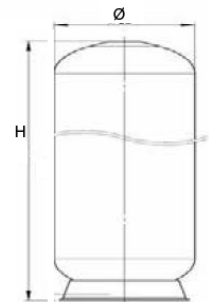
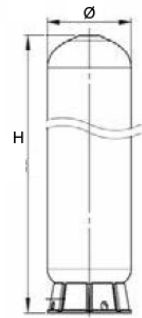


CONNECTIONS 4" - 8 -NPSM

With base

(#) materiale a richiesta non gestito a stock

Code	Description	H total (mm)	Ø (mm)	Total volume (lt)	€
BOI1344-4BL	Pressure tank 13x44 blu	1145	335	84,8	
BOI1354-4BL	Pressure tank 13x54 blu	1398	335	105,7	
BOI1452-4BL	Pressure tank 14x52 blu	1344	366	115	
BOI1465-4BL	Pressure tank 14x65 blu	1674	366	148	
BOI1624-4BL	Pressure tank 16x24 blu (#)	625	413	56,98	
BOI1636-4BL	Pressure tank 16x36 blu (#)	970	413	98,1	
BOI1644-4BL	Pressure tank 16x44 blu	1240	413	131,6	
BOI1652-4BL	Pressure tank 16x52 blu	1375	413	148,3	
BOI1665-4BL	Pressure tank 16x65 blu	1705	413	188,6	
BOI1836-4BL	Pressure tank 18x36 blu (#)	1000	495	138	
BOI1853-4BL	Pressure tank 18x53 blu	1432	495	211	
BOI1865-4BL	Pressure tank 18x65 blu	1722	495	257	
BOI2136-4BL	Pressure tank 21x36 blu (#)	1200	559	164	
BOI2153-4BL	Pressure tank 21x53 blu	1434	559	253	
BOI2162-4BL	Pressure tank 21x62 blu	1721	559	330	
BOI2438-4BL	Pressure tank 24x38 blu (#)	1036	618	216	
BOI2472-4BL	Pressure tank 24x72 blu	1918	618	494	

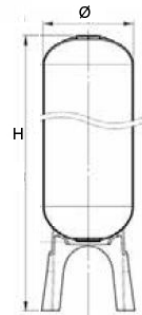


CONNECTIONS 4"-4" 8 -NPSM

With base

(#) material on request not managed in stock

Code	Description	H total (mm)	Ø (mm)	Total volume (lt)	€
BOI1865-4/4BL	Pressure tank 18x65 blu 4/4	2027	495	257	
BOI2162-4/4BL	Pressure tank 21x62 blu 4/4	2064	559	330	
BOI2438-4/4BL	Pressure tank 24x38 blu 4/4 (#)	1036	618	216	
BOI2472-4/4BL	Pressure tank 24x72 blu 4/4	2168	618	494	
BOI3072-4/4BL	Pressure tank 30x72 blu 4/4	2140	780	728	
BOI3672-4/4BL	Pressure tank 36x72 blu 4/4	2150	930	1020	

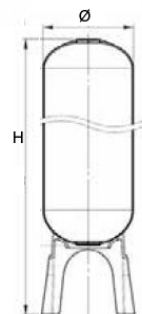


CONNECTIONS 6"-6" FLANGED

With base

(#) material on request not managed in stock

Code	Description	H total (mm)	Ø (mm)	Total volume (lt)	€
BOI3072-6/6BL	Pressure tank 30x72 blu	2200	780	734	
BOI3672-6/6BL	Pressure tank 36x72 blu	2200	930	1023	
BOI4272-6/6BL	Pressure tank 42x72 blu	2400	1110	1580	
BOI4872-6/6BL	Pressure tank 48x72 blu	2400	1230	1918	
BOI5872-6/6BL	Pressure tank 58x72 blu	2420	1500	2720	
BOI6367-6/6BL	Pressure tank 63x67 blu	2025	1598	2248	
BOI6386-6/6BL	Pressure tank 63x86 blu	2465	1598	3092	

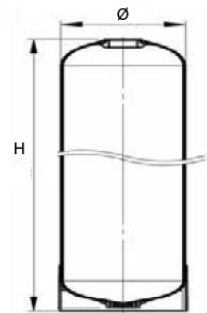


BASE FOR IDROPRO TANKS

Code	Description	€
BOI0500	Base for IDROPRO tank 5"	
BOI0600	Base for IDROPRO tank 6"	
BOI0700	Base for IDROPRO tank 7"	
BOI0800	Base for IDROPRO tank 8"	
BOI0900	Base for IDROPRO tank 9"	
BOI1000	Base for IDROPRO tank 10"	
BOI1100	Base for IDROPRO tank 11"	
BOI1200	Base for IDROPRO tank 12"	
BOI1300	Base for IDROPRO tank 13"	
BOI1400	Base for IDROPRO tank 14"	
BOI1600	Base for IDROPRO tank 16"	

PRESSURE VESSEL SS316 TANKS

Code	Description	H total (mm)	Ø (mm)	Total volume (lt)	€
BOAF0019	SS pressue tank 316L Ø 253	453	253	19	
BOAF0031	SS pressue tank 316L Ø 253	703	253	31	
BOAF0034	SS pressue tank 316L Ø 253	753	253	34	
BOAF0036	SS pressue tank 316L Ø 253	803	253	36	
BOAF0044	SS pressue tank 316L Ø 253	953	253	44	
BOAF0068	SS pressue tank 316L Ø 253	1453	253	68	
BOAF0081	SS pressue tank 316L Ø 253	1703	253	81	

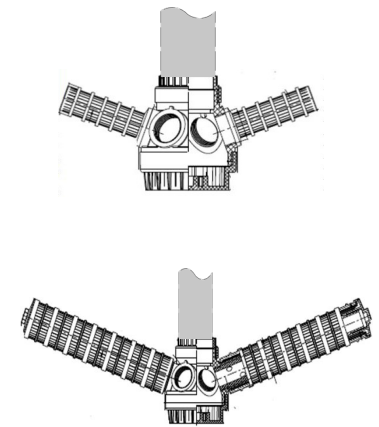


DISTRIBUTION SYSTEMS

TOP MOUNTING DISTRIBUTION SYSTEM FOR PIPE Ø 50 6 ARMS

(Pipe not included)

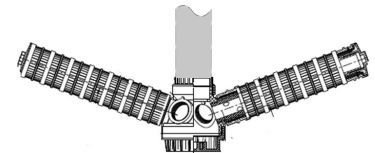
Code	Description	€
ARIDT514A	Top mounting distribution system 6 arms Ø 50 x 14" f = 0,25 mm	
ARIDT514F	Top mounting distribution system 6 arms Ø 50 x 14" f = 0,5 mm	
ARIDT516A	Top mounting distribution system 6 arms Ø 50 x 16" f = 0,25 mm	
ARIDT516F	Top mounting distribution system 6 arms Ø 50 x 16" f = 0,5 mm	
ARIDT518A	Top mounting distribution system 6 arms Ø 50 x 18" f = 0,25 mm	
ARIDT518F	Top mounting distribution system 6 arms Ø 50 x 18" f = 0,5 mm	
ARIDT521A	Top mounting distribution system 6 arms Ø 50 x 21" f = 0,25 mm	
ARIDT521F	Top mounting distribution system 6 arms Ø 50 x 21" f = 0,5 mm	
ARIDT524A	Top mounting distribution system 6 arms Ø 50 x 24" f = 0,25 mm	
ARIDT524F	Top mounting distribution system 6 arms Ø 50 x 24" f = 0,5 mm	
ARIDT530A	Top mounting distribution system 6 arms Ø 50 x 30" f = 0,25 mm	
ARIDT530F	Top mounting distribution system 6 arms Ø 50 x 30" f = 0,5 mm	
ARIDT536A	Top mounting distribution system 6 arms Ø 50 x 36" f = 0,25 mm	
ARIDT536F	Top mounting distribution system 6 arms Ø 50 x 36" f = 0,5 mm	
ARI00369	PVC pipe d.50 L 195 cm	



TOP MOUNTING DISTRIBUTION SYSTEM FOR PIPE Ø 63 6 ARMS

(Pipe not included)

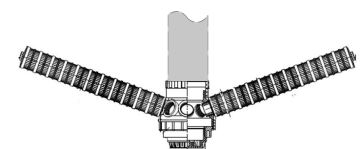
Code	Description	€
ARIDT621A	Top mounting distribution system 6 arms Ø 63 x 21" f = 0,25 mm	
ARIDT621F	Top mounting distribution system 6 arms Ø 63 x 21" f = 0,5 mm	
ARIDT624A	Top mounting distribution system 6 arms Ø 63 x 24" f = 0,25 mm	
ARIDT624F	Top mounting distribution system 6 arms Ø 63 x 24" f = 0,5 mm	
ARIDT630A	Top mounting distribution system 6 arms Ø 63 x 30" f = 0,25 mm	
ARIDT630F	Top mounting distribution system 6 arms Ø 63 x 30" f = 0,5 mm	
ARIDT636A	Top mounting distribution system 6 arms Ø 63 x 36" f = 0,25 mm	
ARIDT636F	Top mounting distribution system 6 arms Ø 63 x 36" f = 0,5 mm	
ARIDT642A	Top mounting distribution system 6 arms Ø 63 x 42" f = 0,25 mm	
ARIDT642F	Top mounting distribution system 6 arms Ø 63 x 42" f = 0,5 mm	
ARI00335	PVC pipe d.63 L 195 cm	



TOP MOUNTING DISTRIBUTION SYSTEM FOR PIPE Ø 63 8 ARMS

(Pipe not included)

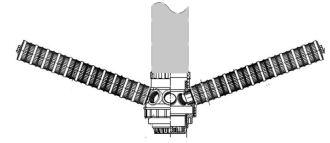
Code	Description	€
DWC11267-34	Top mounting distribution system 8 arms Ø 63 wo/pipe x 30" f=0,2 mm	
DWC11267-46	Top mounting distribution system 8 arms Ø 63 wo/pipe x 30" f=0,5 mm	
DWC11267-36	Top mounting distribution system 8 arms Ø 63 wo/pipe x 36" f=0,2 mm	
DWC11267-48	Top mounting distribution system 8 arms Ø 63 wo/pipe x 36" f=0,5 mm	
DWC11267-38	Top mounting distribution system 8 arms Ø 63 wo/pipe x 42" f=0,2 mm	
DWC11267-50	Top mounting distribution system 8 arms Ø 63 wo/pipe x 42" f=0,5 mm	
DWC11267-40	Top mounting distribution system 8 arms Ø 63 wo/pipe x 48" f=0,2 mm	
DWC11267-52	Top mounting distribution system 8 arms Ø 63 wo/pipe x 48" f=0,5 mm	
ARI00335	PVC pipe d.63 L 195 cm	



TOP MOUNTING DISTRIBUTION SYSTEM FOR PIPE Ø 90 8 ARMS

(Pipe not included)

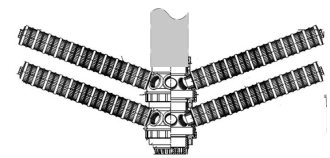
Code	Description	€
DWC11267-06	Top mounting distribution system 8 arms Ø 90 wo/pipe x 30" f=0,2 mm	
DWC11267-20	Top mounting distribution system 8 arms Ø 90 wo/pipe x 30" f=0,5 mm	
DWC11267-08	Top mounting distribution system 8 arms Ø 90 wo/pipe x 36" f=0,2 mm	
DWC11267-22	Top mounting distribution system 8 arms Ø 90 wo/pipe x 36" f=0,5 mm	
DWC11267-10	Top mounting distribution system 8 arms Ø 90 wo/pipe x 42" f=0,2 mm	
DWC11267-24	Top mounting distribution system 8 arms Ø 90 wo/pipe x 42" f=0,5 mm	
DWC11267-12	Top mounting distribution system 8 arms Ø 90 wo/pipe x 48" f=0,2 mm	
DWC11267-26	Top mounting distribution system 8 arms Ø 90 wo/pipe x 48" f=0,5 mm	
ARI00336	PVC pipe d.90 L 195 cm	



TOP MOUNTING DISTRIBUTION SYSTEM FOR PIPE Ø 90 16 ARMS

(Pipe not included)

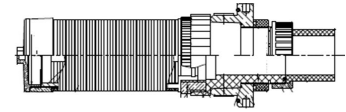
Code	Description	€
DWC11268-04	Top mounting distribution system 16 arms Ø 90 wo/pipe x 42" f=0,2 mm	
DWC11268-10	Top mounting distribution system 16 arms Ø 90 wo/pipe x 42" f=0,5 mm	
DWC11268-06	Top mounting distribution system 16 arms Ø 90 wo/pipe x 48" f=0,2 mm	
DWC11268-12	Top mounting distribution system 16 arms Ø 90 wo/pipe x 48" f=0,5 mm	
DWC11268-08	Top mounting distribution system 16 arms Ø 90 wo/pipe x 63" f=0,2 mm	
DWC11268-14	Top mounting distribution system 16 arms Ø 90 wo/pipe x 63" f=0,5 mm	
ARI00336	PVC pipe d.90 L 195 cm	



DISTRIBUTION SYSTEM FOR 4" TOP/BOTTOM THREAD - Ø 63

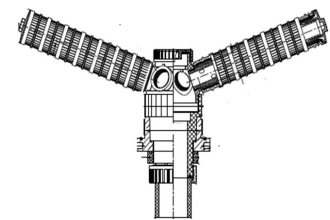
Top distributor

Code	Description	€
ARIDTA018	Upper stack system 4" for tank 14" - 36" f = 0,2 mm L=180mm	
ARIDTF018	Upper stack system 4" for tank 14" - 36" f = 0,5 mm L=180 mm	



Top/bottom distribution radial system

Code	Description	€
ARIDB18A	Top/bottom distribution radial system 4" 5 arms for tank 18" f = 0,25 mm	
ARIDB18F	Top/bottom distribution radial system 4" 5 arms for tank 18" f = 0,50 mm	
ARIDB21A	Top/bottom distribution radial system 4" 5 arms for tank 21" f = 0,25 mm	
ARIDB21F	Top/bottom distribution radial system 4" 5 arms for tank 21" f = 0,5 mm	
ARIDB24A	Top/bottom distribution radial system 4" 5 arms for tank 24" f = 0,25 mm	
ARIDB24F	Top/bottom distribution radial system 4" 5 arms for tank 24" f = 0,5 mm	
ARIDB30A	Top/bottom distribution radial system 4" 5 arms for tank 30" f = 0,25 mm	
ARIDB30F	Top/bottom distribution radial system 4" 5 arms for tank 30" f = 0,5 mm	
ARIDB36A	Top/bottom distribution radial system 4" 5 arms for tank 36" f = 0,25 mm	
ARIDB36F	Top/bottom distribution radial system 4" 5 arms for tank 36" f = 0,5 mm	



TOP/BOTTOM DISTRIBUTION RADIAL SYSTEM DISTRIBUTION SYSTEM FOR 6" TOP/BOTTOM

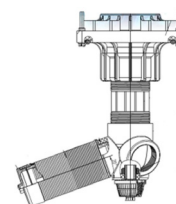
Top distributor

Code	Description	€
DWC10928	Upper stack system 6" flanged for pressure vessel 42" - 63" f=0,2 m	
DWC10928-02	Upper stack system 6" flanged for pressure vessel 42" - 63" f=0,5 m	
Code DWC10337 not included		



Upper stack system 3 arms

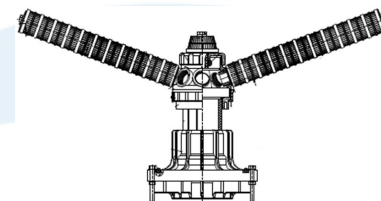
Code	Description	€
DWC10929	Upper stack system 6" flanged 3 arms for pressure vessel 42" - 63" f=0,2 m 3" BSPP	
DWC10929-02	Upper stack system 6" flanged 3 arms for pressure vessel 42" - 63" f=0,5 m 3" BSPP	
Code DWC10337 not included		



Top/bottom distribution radial system 8 arms

Code	Description	€
DWC11262-01	Top/bottom radial system for flange 6-3-3 8 arms for pressure vessel da 21" f=0,2 mm	
DWC11262-15	Top/bottom radial system for flange 6-3-3 8 arms for pressure vessel da 21" f=0,5 mm	
DWC11262-02	Top/bottom radial system for flange 6-3-3 8 arms for pressure vessel da 24" f=0,2 mm	
DWC11262-16	Top/bottom radial system for flange 6-3-3 8 arms for pressure vessel da 24" f=0,5 mm	
DWC11262-03	Top/bottom radial system for flange 6-3-3 8 arms for pressure vessel da 30" f=0,2 mm	
DWC11262-17	Top/bottom radial system for flange 6-3-3 8 arms for pressure vessel da 30" f=0,5 mm	
DWC11262-04	Top/bottom radial system for flange 6-3-3 8 arms for pressure vessel da 36" f=0,2 mm	
DWC11262-18	Top/bottom radial system for flange 6-3-3 8 arms for pressure vessel da 36" f=0,5 mm	
DWC11262-05	Top/bottom radial system for flange 6-3-3 8 arms for pressure vessel da 42" f=0,2 mm	
DWC11262-19	Top/bottom radial system for flange 6-3-3 8 arms for pressure vessel da 42" f=0,5 mm	
DWC11262-06	Top/bottom radial system for flange 6-3-3 8 arms for pressure vessel da 48" f=0,2 mm	
DWC11262-20	Top/bottom radial system for flange 6-3-3 8 arms for pressure vessel da 48" f=0,5 mm	
DWC11262-07	Top/bottom radial system for flange 6-3-3 8 arms for pressure vessel da 63" f=0,2 mm	
DWC11262-21	Top/bottom radial system for flange 6-3-3 8 arms for pressure vessel da 63" f=0,5 mm	

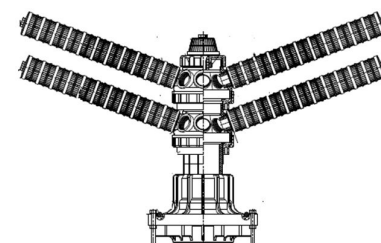
Code DWC10337 not included



Top/bottom distribution radial system 16 arms

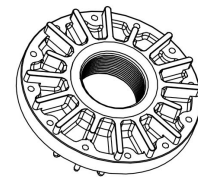
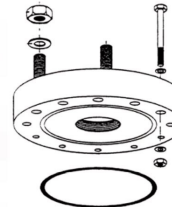
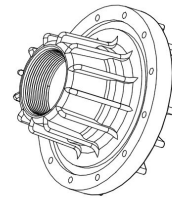
Code	Description	€
DWC11263-02	Top/bottom radial system for flange 6-3-3 16 arms for pressure vessel 42" f=0,2 mm	
DWC11263-08	Top/bottom radial system for flange 6-3-3 16 arms for pressure vessel 42" f=0,5 mm	
DWC11263-03	Top/bottom radial system for flange 6-3-3 16 arms for pressure vessel 48" f=0,2 mm	
DWC11263-09	Top/bottom radial system for flange 6-3-3 16 arms for pressure vessel 48" f=0,5 mm	
DWC11263-04	Top/bottom radial system for flange 6-3-3 16 arms for pressure vessel 63" f=0,2 mm	
DWC11263-10	Top/bottom radial system for flange 6-3-3 16 arms for pressure vessel 63" f=0,5 mm	

Code DWC10337 not included



FLANGE

Code	Description	€
DWC10337	Flange kit 6" 3"-3" seal and screw included	
DWC10339	Flange kit 6" 4"-3" seal and screw included Ø180,4 & Ø 107	
DWC10917	Blind flange kit 6" 4"-3" seal and screw included 180,4x9,8 mm	
DWC10228	Seal for flanged adaptor 6" Ø 180,4 x 9,8 mm	
DWC10310	Flange PVC 6"x DN80 Completed	
DWC10305	PVC 3" threaded pipe Lenght 200 mm	
DWC10306	Kit Counterflange DN80 x D.90	
DWC10320	Seal 233 Di. 181 x Dc. 7 mm Buna N	
ARI00417	Flange 6" x 4" seal included	
ARI00413	M8 stainless steel screws and nuts kit for 6 "flanges	
ARI00415	Blind flange 6" seal included	



CLOSURE AND REDUCTION

Code	Description	€
ARI00400	PVC threaded reduction 4" x 2"½ seal included	
ARI00410	PVC threaded reduction 6" x 4" seal included	
ARI00420	PVC threaded closure 2"½ seal included	
ARI00430	PVC threaded closure 4" seal included	
ARI00440	PVC threaded closure 6" seal included	

PVC PIPE

Code	Description	€
ARI00369	PVC pipe d.50 L 195 cm	
ARI00335	PVC pipe d.63 L 195 cm	
ARI00336	PVC pipe d.90 L 195 cm	



10



CABINETS, BRINE TANKS AND ACCESSORIES FOR SOFTENING

Cabinet and brine tanks | Accessories for softening

1. CABINET AND BRINE TANK

UNDER SINK CABINET	284
BINGO SERIES	284
MICRO WL SERIES	284
UNDER SERIES	284
CABINETS PEARL SERIES	285
SPARE PEARL SERIES	286
EUROPA CABINETS SERIES	287
MINIBOX EUROPA SERIES	287
MAXIBOX EUROPA SERIES	287
SPARE EUROPA SERIES	287
CABINETS DIAMANTE SERIES	288
MINIBOX DIAMANTE LUXURY SERIES	288
MAXIBOX DIAMANTE LUXURY SERIES	288
CABINETS EVOLUTION SERIES	289
MINIBOX EVOLUTION	289
MAXIBOX EVOLUTION	289
SPARE EVOLUTION SERIES	289
CABINETS CWS SERIES	290
CABINETS WL 10 SERIES	291
BRINE TANKS	292
BRINE TANKS WITHOUT ACCESSORIES	292
BRINE TANKS TSCAN SERIES WITH ACCESSORIES	292
BRINE TANKS WITH ACCESSORIES	292
TANKS FOR POTASSIUM PERMANGANATE	292
ACCESSORIES FOR CABINETS AND BRINE TANKS	293
SALT GRIDE FOR BRINE TANKS TSE	293
BRINE WELL	293
COVER	293

2. ACCESSORIES FOR SOFTENING

CHLORINE GENERATORS	294
UNIVERSAL MODEL	294
MODEL FOR CLACK VALVE	294
MODEL FOR AUTOTROL/RUNXIN/CANATURE VALVES	295
MODEL FOR RUNXIN VALVE	295
MODEL FOR AUTOTROL LOGIX VALVE	295
ACCESSORIES FOR CHLORINE GENERATORS	295

SALT LEVEL ALARM	296
SALT DETECT	296
SALT GUARD	296
ACCESSORIES FOR BRINE SUCTION FOR AUTOTROL	297
OVER FLOW	297
BRINE VALVE	297
DIFFUSER PIPES	298
DIFFUSERS	299
BOTTOM	299
TOP	299
TRANSPARENT TUBE FOR BRINE SUCTION	300
CLOSURE, REDUCTION AND EXTENSIONS	300
EXTENSIONS	300
REDUCTION	300
CLOSURE	300

1. CABINET AND BRINE TANK

UNDER SINK CABINET

BINGO SERIES

- Monobloc food-grade PE body
- Brine cover PP
- Overall dimensions WxDxH: 28x48x35.5 cm
- Tanks can be inserted from: 7"x 13"

Version with accessories includes:

- Brine well
- Brine well cap
- Overflow



Code	Description	€
CB100022	Cabinet BINGO white with cover empty without accessories	
CB100023	Cabinet BINGO white with cover with accessories	
CB100024	Cabinet BINGO white with cover with accessories and pressure tank 7x13	

MICRO WL SERIES

- Monobloc food grade HDPE body
- cab cover ABS
- Insertable 7 "x13" tanks
- Overall dimensions WxDxH: 20x36x36.5 cm



Code	Description	€
CB300713GB	MICRO WL cabinet grey/blu with pressure tank 7x13	
CB300713GN	MICRO WL cabinet grey/black with pressure tank 7x13	
CB300713WW	MICRO WL cabinet white/white with pressure tank 7x13	

UNDER SERIES

- Monobloc food-grade PE body
- Brine cap PP
- Overall dimensions WxDxH: 22.5x43.5x35.5
- Cylinders can be inserted from: 7 "x13



Code	Description	€
CB100020	Cabinet UNDER empty with cover	
CB100021	Cabinet UNDER with Pressure tank 7x13	

Accessories

Code	Description	€
CB100025	Salt cover for cabinet UNDER	

CABINETS PEARL SERIES

Cover designed to accommodate valves

- Clack Valve
- Autotrol 255 Logix
- Runxin
- Canature
- Fleck 5600

Version with accessories includes:

- Brine well
- Brine well cap
- Overflow

MINI PEARL SERIES

- Body in Food grade
- Cover in ABS
- Brine cover food-grade HDPE
- Overall dimensions WxDxH: 34x52,5x66 cm
- Tanks can be inserted from: 7x17 - 8x17 - 9x17 – 10x17

Code	Description	€
CBWP0717BA	Cab. MINI PEARL white/transparent blu with tank 07x17 and acc.	
CBWP0817BA	Cab. MINI PEARL white/transparent blu with tank 08x17 and acc.	
CBWP0917BA	Cab. MINI PEARL white/transparent blu with tank 09x17 and acc.	
CBWP1017BA	Cab. MINI PEARL white/transparent blu with tank 10x17 and acc.	
CBWP0717NN	Cab. MINI PEARL black/trasparent black with tank 07x17 and acc.	
CBWP0817NN	Cab. MINI PEARL black/trasparent black with tank 08x17 and acc.	
CBWP0917NN	Cab. MINI PEARL black/trasparent black with tank 09x17 and acc.	
CBWP1017NN	Cab. MINI PEARL black/trasparent black with tank 10x17 and acc.	
CBWP0717BT	Cab. MINI PEARL white/trasparent with tank 07x17 and acc.	
CBWP0817BT	Cab. MINI PEARL white/trasparent with tank 08x17 and acc.	
CBWP0917BT	Cab. MINI PEARL white/trasparent with tank 09x17 and acc.	
CBWP1017BT	Cab. MINI PEARL white/trasparent with tank 10x17 and acc.	



MAXI PEARL SERIES

- Overall dimensions WxDxH: 34x52,5x112,5 cm
- Tanks can be inserted from: 7x17 - 8x17 - 9x17 – 10x17

Code	Description	€
CBWP0735BA	Cab. MAXI PEARL white/transparent blue with tank 07x35 and acc.	
CBWP0835BA	Cab. MAXI PEARL white/transparent blue with tank 08x35 and acc.	
CBWP0935BA	Cab. MAXI PEARL white/transparent blue with tank 09x35 and acc.	
CBWP1035BA	Cab. MAXI PEARL white/transparent blue with tank 10x35 and acc.	
CBWP0735NN	Cab. MAXI PEARL black/transparent black with tank 07x35 and acc.	
CBWP0835NN	Cab. MAXI PEARL black/transparent black with tank 08x35 and acc.	
CBWP0935NN	Cab. MAXI PEARL black/transparent black with tank 09x35 and acc.	
CBWP1035NN	Cab. MAXI PEARL black/transparent black with tank 10x35 and acc.	
CBWP0735BT	Cab. MAXI PEARL white/transparent with tank 07x35 and acc.	
CBWP0835BT	Cab. MAXI PEARL white/transparent with tank 08x35 and acc.	
CBWP0935BT	Cab. MAXI PEARL white/transparent with tank 09x35 and acc.	
CBWP1035BT	Cab. MAXI PEARL white/transparent with tank 10x35 and acc.	

SPARE PEARL SERIES

Code	Description	€
CBWP00010A	Cover PEARL transparent blue	
CBWP00010N	Cover PEARL transparent black	
CBWP00010T	Cover PEARL transparent	
CBWP00015N	Salt cover black	

EUROPA CABINETS SERIES

Cover designed to accommodate valves

- Siata V132
- Fleck 4600/5000/5600/6600/6700
- Autotrol 255 Logix
- 1 "Clack Valve

Version with accessories includes:

- Brine well
- brine well cap
- Overflow

MINIBOX EUROPA SERIES

- Monobloc body in Food grade PE
- Cover in PP Food
- Brine cover food-grade PP
- Overall dimensions WxDxH: 32x48x65,5 cm
- Tanks can be inserted from: 7x17 - 8x17 - 9x17

Code	Description	€
CB100120	Cabinet MINIBOX EUROPA white - blue cover empty without accessories	
CB100130	Cabinet MINIBOX EUROPA white - blue cover with accessories	



MAXIBOX EUROPA SERIES

- Overall dimensions WxDxH: 32x48x112 cm
- Tanks can be inserted from: 7x35 - 8x35 - 9x35

Code	Description	€
CB100220	Cabinet MAXIBOX EUROPA white - blue cover empty without accessories	
CB100230	Cabinet MAXIBOX EUROPA white - blue cover with accessories	

SPARE EUROPA SERIES

Code	Description	€
CB100202	Salt cover black for Europa-Bingo-Evolution	
CB100018	Blue glass for Europa cover	
CB100018	Blue cover with glass for Europa cabinet	

CABINETS DIAMANTE SERIES

- Monobloc body in Food grade PE
- Cover in PP Food grade
- Brine cover PP food-grade

Cover designed to accommodate valves:

- 1 "Clack Valve
- Runxin and Canature
- Autotrol 255 Logix

Version with accessories includes:

- Brine well
- brine well cap
- Overflow

MINIBOX DIAMANTE LUXURY SERIES

- Overall dimensions WxDxH: 35x60,5,x67 cm
- Tanks can be inserted from: 7x17 - 8x17 - 9x17- 10x17



Open

Code	Description	€
CB102000	Cabinet MINIBOX DIAMANTE Luxury empty without accessories	
CB102001	Cabinet MINIBOX DIAMANTE Luxury with accessories	

MAXIBOX DIAMANTE LUXURY SERIES

- Monobloc body in Food grade PE
- Cover in PP Food grade
- Brine cover PP food-grade
- Overall dimensions WxDxH: 35x60,5,x112 cm
- Tanks can be inserted from: 7x35 - 8x35 - 9x35- 10x35



Code	Description	€
CB101000	Cabinet MAXIBOX DIAMANTE Luxury empty without accessories	
CB101001	Cabinet MAXIBOX DIAMANTE Luxury with accessories	

CABINETS EVOLUTION SERIES

- Monobloc body in Food grade PE
- Cover in PP Food grade
- Brine cover PP food-grade

Cover designed to accommodate valves:

- 1 "Clack Valve
- Runxin and Canature
- Autotrol 255 Logix Fleck residential

Version with accessories includes:

- Brine well
- brine well cap
- Overflow

MINIBOX EVOLUTION

- Overall dimensions WxDxH: 35x60,5x67 cm
- Tanks can be inserted from: 7x17 - 8x17 - 9x17- 10x17



Aperto

Code	Description	€
CB100830	Cabinet MINIBOX EVOLUTION Platinum open empty without accessories	
CB100831	Cabinet MINIBOX EVOLUTION Platinum open with accessories	



MAXIBOX EVOLUTION

- Overall dimensions WxDxH: 35x60,5x112 cm
- Tanks can be inserted from: 7x35 - 8x35 - 9x35- 10x35



Open

Code	Description	€
CB100920	Cabinet MAXIBOX EVOLUTION Platinum open empty without accessories	
CB100921	Cabinet MAXIBOX EVOLUTION Platinum open with accessories	



SPARE EVOLUTION SERIES

Code	Description	€
CB100599	Cover for cabinet EVOLUTION without glass	
CB100630	Glass for cabinet EVOLUTION	

CABINETS CWS SERIES

- Monobloc body in Food grade PE
- Sliding Carter valve cover

Valve cover designed to accommodate valves:

- 1 "Clack Valve
- Runxin and Canature valve
- Logix 255 Autotrol and Fleck residential valves

Version with accessories includes:

- Brine well
- Cap for brine well
- Overflow



Overall dimensions WxDxH: 18": 350x520x705cm - 35": 350x520x1130

Code	Description	€
CBCWS0018GG	Clack cabinet CWS18 MINI grey color with slide cover, brine well, SBV	
CBCWS0818GG	Clack cabinet CWS18 MINI grey color with slide cover, brine well, SBV and tank Ø 8"	
CBCWS0918GG	Clack cabinet CWS18 MINI grey color with slide cover, brine well, SBV and tank Ø 9"	
CBCWS1018GG	Clack cabinet CWS18 MINI grey color with slide cover, brine well, SBV and tank Ø 10"	
CBCWS0035GG	Clack cabinet CWS35 MAXI grey color with slide cover, brine well, SBV	
CBCWS0835GG	Clack cabinet CWS35 MAXI grey color with slide cover, brine well, SBV and tank Ø 8"	
CBCWS0935GG	Clack cabinet CWS35 MAXI grey color with slide cover, brine well, SBV and tank Ø 9"	
CBCWS1035GG	Clack cabinet CWS35 MAXI grey color with slide cover, brine well, SBV and tank Ø 10"	
CBCWS1135GG	Clack cabinet CWS35 MAXI grey color with slide cover, brine well, SBV and tank Ø 11"	

CABINETS WL 10 SERIES

- Monobloc body in Food grade PE
- Valve cover in food grade PP
- Brine cover in food grade PP

Valve cover designed to accommodate valves:

- 1 "Clack Valve
- Runxin and Canature valve
- Logix 255 Autotrol and Fleck residential valves

Version with accessories includes:

- Brine well
- Cap for brine well
- Overflow



Overall dimensions WxDxH: 17": 350X500X660 - 35": 350X500X1100

Code	Description	€
CB360817GNC	Cabinet WL10 Mini/Cover black with pressure tank 8 x 17 with accessories	
CB361017GNC	Cabinet WL10 Mini/Cover black with pressure tank 10 x 17 with accessories	
CB360835GNC	Cabinet WL10 Maxi/Cover black with pressure tank 8 x 35 with accessories	
CB361035GNC	Cabinet WL10 Maxi/Cover black with pressure tank 10 x 35 with accessories	



Overall dimensions WxDxH: 17": 350X500X660 - 35": 350X500X1100

Code	Description	€
CB360817GWAC	Cabinet WL10 Mini/Cover white with blu band with pressure vessel 8 x 17 with accessories	
CB361017GWAC	Cabinet WL10 Mini/Cover white with blu band with pressure vessel 10 x 17 with accessories	
CB360835GWAC	Cabinet WL10 Maxi/Cover white with blu band with pressure vessel 8 x 35 with accessories	
CB361035GWAC	Cabinet WL10 Maxi/Cover white with blu band with pressure vessel 10 x 35 with accessories	

BRINE TANKS WITHOUT ACCESSORIES

Code	Description	€
TSH00040	Brine tank round 40 lt. Ø 34 x h 45 empty	
TSH00075	Brine tank round 75 lt. Ø 34 x h.89 empty	
TSH00100	Brine tank round 100 lt. Ø 34 x h.105 empty	
TSE00040	Brine tank square 40 lt. 31x 31 x h.44 empty	
TSE00075	Brine tank square 75 lt. 31 x 31 x h.89 empty	
TSE00105	Brine tank 100 lt. Ø 47 x h.63 empty.	
TSE00150	Brine tank 150 lt. Ø 53 x h.75 empty	
TSE00200	Brine tank 200 lt. Ø 53 x h.100 empty	
TSE00300	Brine tank 300 lt. Ø 62 x h.106 empty.	
TSE00500	Brine tank 520 lt. Ø 86 x h.115 empty	
TSSD0500	Brine tank 500 lt. Ø 82 x h.107 empty	
TSSD0800	Brine tank 800 lt. Ø 100 x h.120 empty	
TSSD1000	Brine tank 1000 lt. Ø 116 x h.125 empty	
TSSD1500	Brine tank 1500 lt. Ø 122 x h.134 empty	



BRINE TANKS TSCAN SERIES WITH ACCESSORIES

Code	Description	€
TSCAN0070	Brine tank 70 lt d400 x h815 complete with brine well. brine cap, overflow	
TSCAN0100	Brine tank 100 lt d460 x h875 complete with brine well. brine cap, overflow	
TSCAN0145	Brine tank 145 lt d516 x h950 complete with brine well. brine cap, overflow	
TSCAN0200	Brine tank 200 lt d585 x h1040 complete with brine well. brine cap, overflow	
TSCAN0350	Brine tank 350 lt d740 x h1275 complete with brine well. brine cap, overflow	
TSCAN0500	Brine tank 500 lt d840 x h1335 complete with brine well. brine cap, overflow	
TSCAN0750	Brine tank 750 lt d960 x h1395 complete with brine well. brine cap, overflow	
TSCAN1000	Brine tank 1000 lt d1080 x h1460 complete with brine well. brine cap, overflow	
TSCAN1500	Brine tank 1500 lt d1240 x h1575 complete with brine well. brine cap, overflow	
TSCAN2000	Brine tank 2000 lt d1360 x h1690 complete with brine well. brine cap, overflow	



BRINE TANKS WITH ACCESSORIES

Code	Description	€
TSH00041	Brine tank round 40 lt. Ø 34 x h 45 complete with brine well. brine cap, overflow	
TSH00076	Brine tank round 75 lt. Ø 34 x h.89 complete with brine well. brine cap, overflow	
TSH00101	Brine tank round 100 lt. Ø 34 x h.105 complete with brine well. brine cap, overflow	
TSE00041	Brine tank square 40 lt. 31x 31 x h.44 complete with brine well. brine cap, overflow	
TSE00076	Brine tank square 75 lt. 31 x 31 x h.89 complete with brine well. brine cap, overflow	
TSE00106	Brine tank 100 lt. Ø 47 x h.63 complete with brine well. brine cap, overflow	
TSE00151	Brine tank 150 lt. Ø 53 x h.75 complete with brine well. brine cap, overflow	
TSE00201	Brine tank 200 lt. Ø 53 x h.100 complete with brine well. brine cap, overflow	
TSE00301	Brine tank 300 lt. Ø 62 x h.106 complete with brine well. brine cap, overflow	
TSE00501	Brine tank 520 lt. Ø 86 x h.115 complete with brine well. brine cap, overflow	
TSSD0501	Brine tank 500 lt. Ø 82 x h.107 complete with brine well. brine cap, overflow	
TSSD0801	Brine tank 800 lt. Ø 100 x h.120 complete with brine well. brine cap, overflow	
TSSD1001	Brine tank 1000 lt. Ø 116 x h.125 complete with brine well. brine cap, overflow	
TSSD1501	Brine tank 1500 lt. Ø 122 x h.134 complete with brine well. brine cap, overflow	



TANKS FOR POTASSIUM PERMANGANATE

Code	Description	€
FZA99351	Tank for potassium permanganate KMnO4 with floating valve	
FZA99352	Spare floating valve for permanganate brine tank	



ACCESSORIES FOR CABINETS AND BRINE TANKS

SALT GRID FOR BRINE TANKS TSE

Code	Description	€
ARI00250	Salt grid for brine tank 100 lt - h 90 mm	
ARI00260	Salt grid for brine tank 150 lt - h 220 mm	
ARI00270	Salt grid for brine tank 200 lt - h 220 mm	
ARI00280	Salt grid for brine tank sale 300 lt - h 300 mm	
ARI00290	Salt grid for brine tank sale 520 lt - h 400 mm	

BRINE WELL

Code	Description	€
ARICA709	Brine well Ø5 cm per h13" (cabinet Micro e Under)	
ARI00203	Brine well Ø10 cm h.58 cm for brine tank 100 lt TSE	
ARI00204	Brine well Ø10 cm h.100 cm for brine tank 100 lt TSH e 300 lt	
ARI00205	Brine well Ø10 cm h.70 cm for brine tank 150 lt and cabinet MIDI	
ARI00206	Brine well Ø10 cm h.93 cm for brine tank 200 lt	
ARI00210	Brine well Ø10 cm h.38 cm for brine tank 40 lt and cabinet MINI	
ARI00212	Brine well Ø10 cm h.80 cm for brine tank 75 lt and cabinet MAXI	
ARI00223	Brine well Ø16 cm for brine tank 520 lt TSE	
ARI00220	Brine well Ø20 cm h.80 cm for brine tank 500 lt TSCAB	
ARI00222	Brine well Ø20 cm h.125 cm for brine tank 1000 lt TSCAB	
ARI00240	Tappo tondo in plastica per pozzetto Ø10	
ARICA710	Molded brine well for cabinet H=17" brine cap included	
ARICA712	Molded brine well for cabinet H=35" brine cap included	
ARICA714	Molded brine well for cabinet H=44" brine cap included	



COVER

Code	Description	€
ARI00313	Blu cover for round brine tank TSH 40 - 75 - 100 lt	
ARI00314	Black cover for square brine tank TSE 40 - 75 lt	
ARI00312	White cover for round brine tank TSE 100 lt	
ARI00315	White cover for round brine tank TSE 150 - 200 lt	

2. ACCESSORIES FOR BRINE SUCTION FOR AUTOTROL VALVE

CHLORINE GENERATOR PROGEN

UNIVERSAL MODEL

Progen 3/8" Universal chlorine generator for disinfection resins complete with transformer and titanium electrode

Code	Description	€
------	-------------	---

ARI00570 PROGEN Chlorine Generator Kit 3/8" JA



Progen 1/2" Universal chlorine generator for disinfection resins complete with transformer and titanium electrode

Code	Description	€
------	-------------	---

ARI00571 PROGEN Chlorine Generator Kit 1/2" JACO



MODEL FOR CLACK VALVE

Chlorine generator for Clack valve complete with titanium electrode

Code	Description	€
------	-------------	---

ARI00572 PROGEN Chlorine Generator Kit Brine Elbow Clack



ARI00578 PROGEN internal Chlorine Generator for Clack kit 3/8" JACO

ARI00579 PROGEN external Chlorine Generator for Clack kit 3/8" JACO



MODEL FOR RUNXIN VALVE

Code	Description	€
ARI00577	Progen Runxin chlorine generator cell kit	



MODEL FOR LOGIX VALVE

Code	Description	€
ARI00573	WL Logix Style chlorine electrode kit	



CHLORINE GENERATOR SPARE PARTSZ KIT

Electrodes

Code	Description	€
ARI00570/5	Replacement electrode kit for chlorine producing cell	



Code	Description	€
ARI00574	PROGEN 3/8" Jaco Chlorine Generator replacement Kit	



ARI00575	PROGEN 1/2" Jaco Chlorine Generator replacement Kit	
----------	---	--



ARI00576	PROGEN Brine Elbow Clack Chlorine Generator replacement Kit	
----------	---	--



SALT LEVEL ALARM

SALT DETECT

This "salt level alarm" appliance has been specially designed for household and industrial water softeners.

This detection system, which can be fixed to the wall using double-sided Velcro and/or screws, contains the following components.

A small power supply box with integrated buzzer and LED indicator is connected to a sensor that tracks the salt level.

This all-in-one appliance fits in the palm of your hand.

There are two LED indicators: green lit up continuously without alarm and red flashing with alarm.

The buzzer can be set at high level, low level or off by means of a switch. (The LED indicators are always on).

When the alarm sounds, the water softener can be refilled up to above the minimum detection level that has been set by the fitter.

In other words, you do not need to fill up the salt tank completely if you do not have enough salt. A minimum quantity is enough to stop the alarm automatically.

The detection range is 14 cm to 120 cm (= 5.5 inches to 47 inches), which makes this appliance ideally suited for all types of salt tanks.

The detection level is set by keeping a teach function button pressed for 2 seconds, and is stored in the memory even in the event of a power cut.

In other words, you teach the system how far it has to look.

This appliance is available in 220V AC/CE version with exchangeable plug for the European countries, and also in 110V AC/UL + CUL version with American/Canadian plug.



Code	Description	€
ARI00601	Salt level alarm system appliance model Salt Detect -220V – 50Hz electrical supply	

SALT GUARD

This wireless salt level alarm was specially designed for domestic water softeners and uses a transmitter and receiver.

The transmitter is connected to a plastic wire that can be easily set at any level, and to a weight that rests on the salt.

As the weight begins to tighten the plastic wire, the transmitter is brought to a vertical position and sends a signal up to 80ft indoors (up to 25 metres indoors) to the receiver (fitted with a built-in magnet for hanging on the refrigerator, for instance), which in turn gives a light signal every 3 seconds.

Once the salt tank has been refilled, press the "reset" button on the receiver.

The batteries need to be replaced every year. (One set of batteries is included).



Code	Description	€
ARI00600	Salt Guard battery-powered wireless salt level alarm system	

ACCESSORIES FOR BRINE SUCTION FOR AUTOTROL VALVE

Code	Description	€
ARI00320	Net diffuser for brine suction for Autotrol valve without 3/8" tube	
ARI00330	D. 3/8 PVC riser tube l = 100 cm with net diffuser for brine suction for Autotrol	
ARI00331	D. 3/8 PVC riser tube l = 100 cm	

OVER FLOW

Code	Description	€
ARI00300	Overflow 3/8"rubber fitting complete with nut	
ARI00310	Overflow 1/2"rubber fitting complete with nut	

BRINE VALVE

Code	Description	€
BR1-100/05	Brine valve with flexible pole Siata BR1 100 cm pipe Ø 3/8"	
ARI00367	Floating Brine valve Clack 454 3/4"	
ARICA701	Floating Brine valve 3/8 H=13"	
ARICA700	Floating Brine valve 3/8 H=17"	
ARICA702	Floating Brine valve 3/8 H=35"	
ARICA704	Floating Brine valve 3/8 H=44"	
H4915	Fitting Kit 494 Brine Valve 1" Polytube Connection	
H4940	SBV CLACK 494 1" without Air Check	
H4950-60	Air check 1700 assy length 60	

DIFFUSER PIPES



21 mm

Code	Description	€
ARI00359	Rigid PVC riser tube thickness 1,5 mm x length 1,20 m - Ø external 21 mm	
ARI00360	Rigid PVC riser tube thickness 1,5 mm x length 1,50 m - Ø external 21 mm	

Ø 27 mm

Code	Description	€
ARI00364	Rigid PVC riser tube thickness 1,5 mm x length 1,16 m - Ø external 27 mm	
ARI00365	Rigid PVC riser tube thickness 1,5 mm x length 1,60 m - Ø external 27 mm	

Ø 32 mm

Code	Description	€
ARI00362	Rigid PVC riser tube thickness 1,5 mm x length 1,50 m - Ø external 32 mm	
ARI00361	Rigid PVC riser tube thickness 1,5 mm x length 1,95 m - Ø external 32 mm	

Ø 50 mm

Code	Description	€
ARI00369	Rigid PVC riser tube Ø est. 50 mm length 195 cm	

Ø 63 mm

Code	Description	€
ARI00335	Rigid PVC riser tube Ø est. 63 mm length 195 cm	

Ø 90 mm

Code	Description	€
ARI00336	Rigid PVC riser tube Ø est. 90 mm length 195 cm	

RISER TUBE WITH BOTTOM DIFFUSERS

Code	Description	€
ARICA720	Riser tube with bottom diffuser assy Ø est. 27 H=17"	
ARICA722	Riser tube with bottom diffuser assy Ø est. 27 H=35"	
ARICA724	Riser tube with bottom diffuser assy Ø est. 27 H=54"	
ARICA726	Riser tube with bottom diffuser assy Ø est. 27 H=65"	

DIFFUSER

BOTTOM

Ø 21 mm

Code	Description	€
ARI00350	Lower screen Ø21 - slots 0,25 mm D/8.7	
ARI00351	Lower screen Ø21 - slots 0,25 mm D/8.11	

Ø 27 mm

Code	Description	€
ARI00355	Lower screen Ø27 - slots 0,25 mm D/8.7	
ARI00352	Lower screen Ø27 - slots 0,25 mm D/8.11	
ARI00356	Lower screen Ø27 - slots 0,25 mm DS27	

Ø 32 mm

Code	Description	€
ARI00357	Lower screen Ø32 - slots 0,25 mm D/8.7	
ARI00353	Lower screen Ø32 - slots 0,25 mm D/8.11	
ARI00349	Lower screen Ø32 - slots 0,25 mm DS32	

TOP BAFFLE DIFFUSER

Code	Description	€
ARI00340	Undervalue screen - bayonet connection Ø 21 mm ADB	
ARI00345	Undervalue screen - bayonet connection Ø 27 mm ADB	
ARI00347	Undervalue screen – threaded connection Ø 32 mm ASF32	
ARI00348	Undervalue screen - bayonet connection Ø 32 mm ASB32	
D1199-05	Top baffle diffuser diam 63 for Clack QC	



TRANSPARENT TUBE FOR BRINE SUCTION

Available only in complete rolls.

Code	Description	€
OI022104	3/8" PE transparent tube for brine suction - 100m bobbin	
OI022103	1/2" PE transparent tube for brine suction - 100m bobbin	



CLOSURE, REDUCTION AND EXTENSIONS

EXTENSIONS

Code	Description	€
ARI00112	Prolunga M/F per bombola 2"1/2 h. 4 cm per RunXin	



REDUCTION

Code	Description	€
ARI00400	PVC threaded reduction 4" x 2"1/2 seal included	
ARI00410	PVC threaded reduction 6" x 4" seal included	



CLOSURE

Code	Description	€
ARI00420	PVC threaded closure 2"1/2 seal included	
ARI00430	PVC threaded closure 4" seal included	
ARI00440	PVC threaded closure 6" seal included	







11

REVERSE OSMOSIS EQUIPMENTS, ACCESSORIES AND SPARES

RO kit pre-assembled | Components for reverse osmosis | Tubes in plastic material

1. RO KIT PRE-ASSEMBLED

HOUSEHOLD SERIES	305
HRO 4 STAGES	305
OSMOBOX	305
RO-400-CR	306
ECO DIRECT	306
RO SLIM DIRECT	307
RO DIRECT	307
INDUSTRIAL SERIES	308
WRO SERIES	308
RECOMMENDED ACCESSORIES	308

2. COMPONENTS FOR REVERSE OSMOSIS

ACCESSORIES FOR RO PLANTS	309
INLINE FILTERS	309
PLASTIC CLIPS FOR RO	308
METAL BRACKETS	310
SHUT-OFF VALVES	310
FLOW RESTRICTOR	310
DRAIN CLAMP	310
ACCESSORIES AND SPARE FOR DOMESTIC RO	311
FAUCETS	311
BOOSTER PUMPS	313
PRESSURE SWITCHES	313
STORAGE TANKS FOR RO	314
SOLENOID VALVES	315
PIN VALVES	315
MANOMETER	316
FLOWMETERS	317
ROTARY VANE PUMPS	318
ELECTRIC MOTORS	319
CONTROL UNITS FOR RO	320

3. TUBES IN PLASTIC MATERIAL

FLEXIBLE HOSES	321
JOHN GUEST POLYETHYLENE TUBES	321

1. RO KIT PRE-ASSEMBLED

DOMESTIC SERIES

HRO 4 STAGES

Technical features:

Saline rejection approximately 98/99%, recovery ratio 15 - 20%. The HRO series reverse osmosis systems are specifically designed to be installed at the point of use under the kitchen sink, as they work completely automatically with pressure storage (NSF certified 3 gallon food plastic expansion tank) osmotic water and over sink tap. The plant includes: faucet, Shut-off valve, final activated carbon postfilter, drain clamp and water supply Kit.



Test condition:

TDS max 2,000 ppm; SDI max 5; P c.ca 2,5-3 bar; T 15 ° C c.ca.

Code	Description	€
OI20010	RO HRO 4 stage GAC in-line postfilter without UV 4 Lt/h	
OI20012	RO HRO 4 stage GAC in-line postfilter with booster pump and without UV 8 Lt/h	
OI20014	RO HRO 4 stage GAC in-line postfilter with UV 4 Lt/h	
OI20016	RO HRO 4 stage GAC in-line postfilter with booster pump and with UV 8 Lt/h	

OSMOBOX

Technical features:

Saline rejection approximately 98/99%, recovery ratio 15 - 20%.

OSMOBOX is a household reverse osmosis system that can be installed at the point of use under the sink. The system is compact and looks nice thanks to the use of a fairing that has the purpose of containing the components assembled inside. Its shape specifically designed to be placed under the base. The osmosis is complete with the pre-filtration system with both in-line sediments (cod. OI023014) and with carbon in-line (cod.OI023010), of the RO membrane, of an NSF-certified 3 gallon food plastic expansion tank, of an in-line post-filter cartridge (cod.OI023010), of a WLUV4W final UV sterilizer, and of a faucet. The system includes the pre-installed mixing kit, the Shut-off valve, the drain clamp, water supply Kit and anything else needed for correct installation.



Test condition:

TDS max 2,000 ppm; SDI max 5; P c.ca 2,5-3 bar; T 15 ° C c.ca.

Code	Description	€
OI20035	Undersink/under hoof RO- OSMO BOX 4 Lt/h	

RO-400-CR

The RO-400CR reverse osmosis system is specifically designed to be installed at the point of use under the kitchen sink, as it works completely automatically with direct production of osmotic water and a faucet.

The plant includes five treatment stages: 10" 5μ PP filter, 10" activated carbon filter, 10" 1μ PP filter (or CTO filter), 400 GPD reverse osmosis membrane, in-line granular activated carbon post filter.

Accessories included:

faucet, booster pump with drain clamp, water supply Kit.



Code	Description	€
OI20013	Undersink RO DIRECT 5 stage CR400 60 Lt/h	

ECO DIRECT

The ECO DIRECT equipment is a reverse osmosis system, with direct production, built inside a steel casing, able to refine the organoleptic and chemical characteristics of drinking water by reducing its salt content while guaranteeing safety from the bacteriological point of view. It can be installed both in homes working environments.

The equipment also mounts an anti-flooding probe that closes the feed solenoid valve if a water leak is detected.

Carbon Prefilter Ø 63 cod. OI23018

Accessories included in the supply:

n ° 1 Long Reach Chrome-plated Faucet cod. OI22021

n ° 1 drain bracket cod. OI22033

Fittings and pipes for installation



Code	Description	Production (l/h)	€
OI20053	Reverse Osmosis Plant with direct production ECO DIRECT 50 lt	50	
OI20038/G	Reverse Osmosis Plant with direct production ECO DIRECT 90 lt	90	

Code	System recovery	Pump	Dimension HxWxD (cm)
OI20053	30%	Booster	10x37,5x42
OI20038/G	30%	Rotary	10x37,5x42

RO SLIM DIRECT

The RO SLIM DIRECT equipment is a reverse osmosis system, with direct production, built inside a casing in painted sheet metal, able to refine the organoleptic and chemical characteristics of the drinking water by reducing its salt content while guaranteeing the bacteriological safety. It can be installed both in homes working environments.

The equipment is fitted with an electronic board with display, filter-out alarm, anti-flooding probe.

Number 2 membranes 2012 150gpd and rotary pump (RO slim direct 90 and RO slim gas direct 90).

RO slim direct 50 version with Booster pump and 100 gpd membranes.

RO slim GAS version with high capacity stainless saturator.

Carbon Prefilter Ø 63 cod.OI023018, Sediment Ø 63 cod.OI023020 (SLIM excluded (prefiltration excluded in RO slim GAS version).

Accessories included in the supply:

n ° 1 Chrome Tap Swan neck cod. OI021999 (two-way tap OI021998 on Slim Gas 90).

n ° 1 drain clamp cod. OI022033

Fittings and pipes for installation

For RO slim gas direct 90, CO2 tank, pressur reducer and prefiltering not included, to be ordered separately.



Code	Description	Production (l/h)	€
OI20056	Reverse Osmosis Plant with direct production RO SLIM DIRECT 50 lt	50	
OI20057	Reverse Osmosis Plant with direct production RO SLIM DIRECT 90 lt	90	
OI20058	Reverse Osmosis Plant with direct production RO SLIM GAS DIRECT 90 lt	90	

Code	System recovery	Membranes	Pump	Dimensions HxWxD cm
OI20056	30%	2 x 100gpd	Booster	10,5x42,5x40,5
OI20057	30%	2 x 150gpd	Vane	10,5x42,5x40,5
OI20058	30%	2 x 150gpd	Vane	10,5x42,5x40,5

RO DIRECT

The RO DIRECT equipment is a reverse osmosis system, with direct production, built inside a steel casing, able to refine the organoleptic and chemical characteristics of drinking water, reducing its salt content while guaranteeing safety from the bacteriological point of view.

It can be installed both in homes working environments.

The equipment is made in three different versions in order to satisfy the most different flow requirements.

The device is equipped with a digital control unit with display, anti-flooding, conductivity sensor and alarm.

RO-DIRECT 60-90 are equipped with 2 carbon prefilters cod. OI023010

Accessories included in the supply:

n ° 1 Long Reach Chrome-plated Faucet cod. OI022021

n ° 1 drain clamp cod. OI022033

Fittings and pipes for installation



Code	Description	Production (l/h)	€
OI20015	Reverse Osmosis Plant with direct production RO DIRECT 60 lt	60	
OI20023	Reverse Osmosis Plant with direct production RO DIRECT 90 lt	90	
OI20027	Reverse Osmosis Plant with direct production RO DIRECT 150 lt*	150	

* provide for pre-filtration not included

Code	System recovery	Pump	Dimensions HxWxD cm)	Membranes
OI20015	30%	Vane 200	40x14x41	2x100 GPD
OI20023	30%	Vane 300	40x14x41	2x180 GPD
OI20027	30%	Vane 400	40x14x41	2x400 GPD

INDUSTRIAL SERIES

WRO SERIES

The WRO series systems are compact and preassembled on a tubular stainless steel frame, complete with double cartridge prefiltration inside plastic housing, high pressure rotary pump in brass, minimum pressure switch and electric panel for operation fully automatic controlled by magnetic float level probe. For the reverse osmosis systems WRO 20, WRO 30 and WRO 50 calculate an absorption of 0.25 kW, while for the models WRO 70, WRO 140 and WRO 200 calculate an absorption of 0.57 kW. Only for the WRO 70, WRO 140 and WRO 200 models we recommend to include the flowmeter pair.



Controller RO LED

Code	Description	€
OI20110	RO system O/I WRO 30	
OI20120	RO system O/I WRO 50	
OI20130	RO system O/I WRO 70	
OI20140	RO system O/I WRO 140	
OI20150	RO system O/I WRO 200	

Controller RO DISPLAY

Code	Description	€
OI20110/1	RO system O/I WRO 30	
OI20120/1	RO system O/I WRO 50	
OI20130/1	RO system O/I WRO 70	
OI20140/1	RO system O/I WRO 140	
OI20150/1	RO system O/I WRO 200	



Code	Production (lt/hr)	Production (lt/day)	System recovery	Membrane rejection	Electrical absorption	Dimension HxWxD (cm)
OI20110	30	450	20%	96-98%	245 W	42x40x30
OI20120	50	750	35%	96-98%	245 W	42x40x30
OI20130	70	1050	20%	96-98%	560 W	101x47x40
OI20140	140	2100	35%	96-98%	560 W	101x47x40
OI20150	200	3000	45%	96-98%	560 W	101x47x40

RECOMMENDED ACCESSORIES

Code	Description	€
OI20210	Pair of flow meters for measuring and adjusting the quantity of permeate and waste, elbow connection	

2. COMPONENTS FOR RO PLANTS

ACCESSORIES FOR RO PLANTS

INLINE FILTERS

Ø 50 mm - Length 5"

Code	Description	€
OI023012	In line filter with granular activated carbon Ø=50 - 2" L= 6" conn. ¼" f	
OI023016	In line sediment filter 5 µ Ø = 50 - 2" L= 6" conn. ¼" f	



Ø 50 mm - Length 10" - box 25 pcs

Code	Description	€
OI023010	In line filter w. granular activated carbon Ø = 50 - 2" L= 10" conn. ¼" f	
OI023014	In line sediment filter 5 micron Ø = 50 - 2" L=10" conn. ¼" f	
OI023010A	WL In line filter w. granular activated carbon Ø= 50 - 2" L= 10" conn. ¼" f	
OI023014A	WL In line sediment filter 5 micron Ø = 50 - 2" L=10" conn. ¼" f	



Ø 63 mm - Length 12" - box 25 pcs

Code	Description	€
OI023018	In line filter w. granular activated carbon Ø = 63 - 2" ½ L= 12" conn. ¼" f	
OI023020	In line sediment filter 5 µ Ø = 63 - 2" ½ L=12" conn. ¼" f	
OI023018A	WL In line filter w. granular activated carbon Ø =63 - 2" ½ L= 12" conn. ¼" f	
OI023020A	WL In line sediment filter 5 µ Ø = 63 - 2" ½ L=12" conn. ¼" f	
OI023029	In line filter carbon block Ø =63 - 2" ½ L= 12" conn. ¼" f	



Double O-ring osmosis replacement cartridges

Code	Description	€
CX5027521	Extruded carbon block cartridge Ø48 h.265	
CX5027520	Extruded Carbon Block cartridge Ø48 h.270 for Culligan	
PP4827521	Melt Blown Cartridge PP 5m Ø48 h 265	
PP4827520	Melt Blown PP 5m cartridge d.48 h 270 for Culligan	



PLASTIC CLIPS FOR RO

Code	Description	€
OI023000	Single clip Ø50 in white PVC for in line filter - 2"	
OI023001	Single clip Ø 63 in white PVC for vessel 1812 - 2"½	
OI023009	Single clip Ø 90 in white PVC for vessel 3012 - 3"	
OI023007	Double clip Ø50-50 in white PVC for 2 vessels 1812 - 2" x 2"	
OI023002	Double clip Ø50-63 in white vessel 1812 - 2"½ x 2"	
OI023003	Double clip Ø63-63 in white PVC for 2 vessels 1812 - 2"½ x 2"½	
OI023004	White PVC clip for shut-off valve S3000B	



METAL BRACKETS

Code	Description	€
CP100106	Double clip white powder-coated	
CP100109	Triple bracket white powder-coated	
OI023008	Booster pump's bracket white powder-coated	



SHUT-OFF VALVES

Code	Description	€
OI022034	Automatic shut-off valve for RO w. Jaco fittings for tube Ø= 6 mm	
OI022035	Automatic shut-off valve for RO w. quick fitting for tube Ø= 1/4"	



FLOW RESTRICTORS

Cartridge with John Guest connector

Code	Description	€
OI024040	J.G quick fitting 6 x 1/8" permeate outlet with with check one-way valve and	
OI024042	J.G quick fitting 6 x 1/8" with incorporated 70 gpd FLOWRESTRICTOR cartridge	



Cartuccia

Code	Description	€
OI024041	Check one-way valve cartridge without fitting	
OI024047	50 gpd yellow Flow restrictor cartridge without connection	
OI024043	70 gpd yellow Flow restrictor cartridge without connection	
OI024048	100 gpd yellow Flow restrictor cartridge without connection	
OI024049	150 gpd yellow Flow restrictor cartridge without connection	
OI024050	200 gpd yellow Flow restrictor cartridge without connection	



Inline flow restrictor

Code	Description	€
OI024052	In line flow-restrictor pipe 1/4" 350 ml/min	
OI024053	In line flow-restrictor pipe 1/4" 800 ml/min	



DRAIN CLAMP

Code	Description	€
OI022033	Drain clamp for R.O. system	



ACCESSORIES AND SPARE FOR DOMESTIC RO

Code	Description	€
OI022070	Water supply Kit with remote T-connector 1/2" MF and 1/4" M ball valve for Ø 6Tube	
OI022077	Universal tap adapter ETA	
OI022081	Chrome-plated screw able swivel 1/4" single diverter DV-11-2BC with handle tap, universal adapter	
OI022083	Chrome-plated screw able swivel 1/4" single diverter DV-21-2BC with handle tap, universal adapter	
OITPG-100	Digital Tank pressure gauge for expansion tank	

FAUCETS

Chromed faucets

Code	Description	€
OI022007	Long reach 2 ways faucet single knob	
OI022008	Long reach 1 way faucet triple knob	
OI022009	Swan neck extraction tap 2 ways	

Long Reach colored

Code	Description	€
OI022021R	Long Reach red faucet	
OI022023	Long Reach white faucet	



3 ways mixers

Code	Description	€
OI022027	3-Way chrome-plated faucet with mixer	
OI022028	3-Way white faucet with mixer	
OI022046	3-Way black faucet with mixer	
OI022032	3-Way brown faucet with mixer	



BOOSTER PUMPS

Low Voltage Pumps

Code	Description	€
A1141	24 VDC BOOSTER pump mod. 8367 with transformer flow-rate 1,2 L/min	
A1142CE	220-24 VDC Trasformer for BOOSTER 8367-8385 pump	
OI022067	BOOSTER pump High Flow 36V with trasformer	
OI022868	Trasformer for BOOSTER pump 36 V High Flow	



230V pump

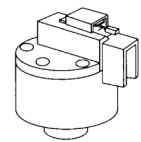
Code	Description	€
OI022059	BOOSTER pump -45-2200-A12 220VAC 50/60 Hz	



PRESSURE SWITCHES

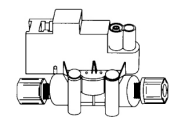
Minimal

Code	Description	€
A1042	1/4" female threaded remotepressure switch	
A1061	Pressure switch inline 1/4 "quick-release hose connection	



Maximum

Code	Description	€
A1052	Max. Pressure switch. 1/4" Tank Switch compression nuts, black	
A1062	Max. Pressure switch. 1/4" Tube Tank Switch, black	
A1067	Max. Pressure switch 63 diff. Pressure 0,5/0,8 bar - calibrated 2,0 bar	
PM/12X	Max. Pressure switch stainless steel 3/12 bar 1/4" f	



PRESSURIZED STORAGE TANKS FOR RO

Painted pressure storage tank

Code	Description	€
------	-------------	---

OI025056	NSF certified RO painted steel pressure storage tank white not inpectable. 14 gallons capacity	
----------	--	--



Plastic pressure storage tank

Code	Description	€
------	-------------	---

OI025055	White plastic pressure storage tank for RO 3 gallons	
----------	--	--

OI025053	White plastic pressure storage tank for RO 5 gallons	
----------	--	--



Tank tap

Code	Description	€
------	-------------	---

BV-100	Tank shut-off ball valve 1/4" (1/4" tube x 1/4" female thread)	
--------	--	--

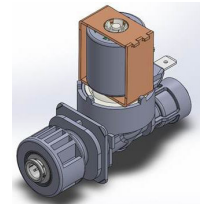


SOLENOID VALVES

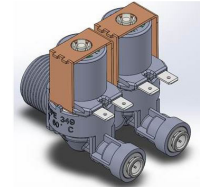
BEVCO solenoid valves

Code	Description	€
------	-------------	---

OI201970	2-way solenoid valve 6mm 24VDC *	
----------	----------------------------------	--



OI201971	Double solenoid valve GM "GM in 2x6mm out NC 24VDC	
----------	--	--



* Other voltages on request

Acetal resin

Code	Description	€
------	-------------	---

136002230V	2-way electro-valve normally closed Ø 3/4" M - 1/4" M 230 Vac with faston connections	
------------	---	--

3105BC24DC	2-way electro-valve normally closed serie Mini Ø 1/4" F-F 24 Vdc with faston connections	
------------	--	--

3105BC24AC	2-way electro-valve normally closed serie Mini Ø 1/4" F-F 24 Vac with faston connections	
------------	--	--

4105BC230V	2-way electro-valve normally closed serieNC Ø 3/8" F-F 230 Vac with faston connections	
------------	--	--

PR31A	Connector 70° wired with cable lenght 600 mm for electro valve with faston connections	
-------	--	--



Brass

Code	Description	€
------	-------------	---

OI201930	Ø 1/4" - 2-way electro-valve normally closed - with connector and solenoid 230V	
----------	---	--

OI201932	Ø 1/4" - 2-way electro-valve normally closed - with connector and solenoid 24V	
----------	--	--

OI201935	Ø 3/8" - 2-way electro-valve normally closed - with connector and solenoid 230V	
----------	---	--

OI201937	Ø 3/8" - 2-way electro-valve normally closed - with connector and solenoid 24V	
----------	--	--

OI201940	Ø 1/2" - 2-way electro-valve normally closed - with connector and solenoid 230V	
----------	---	--

OI201942	Ø 1/2" - 2-way electro-valve normally closed - with connector and solenoid 24V	
----------	--	--

OI201945	Ø 3/4" - 2-way electro-valve normally closed - with connector and solenoid 230V	
----------	---	--

OI201947	Ø 3/4" - 2-way electro-valve normally closed - with connector and solenoid 24V	
----------	--	--

OI201950	Ø 1" - 2-way electro-valve normally closed -with connector and solenoid 230V	
----------	--	--

OI201952	Ø 1" - 2-way electro-valve normally closed -with connector and solenoid 24V	
----------	---	--

OI201955	Ø 1 1/4" - 2-way electro-valve normally closed - with connector and solenoid 230V	
----------	---	--

OI201957	Ø 1 1/4" - 2-way electro-valve normally closed - with connector and solenoid 24V	
----------	--	--

OI201960	Ø 1 1/2" - 2-way electro-valve normally closed - with connector and solenoid 230V	
----------	---	--

OI201962	Ø 1 1/2" - 2-way electro-valve normally closed - with connector and solenoid 24V	
----------	--	--

OI201965	Ø 2" - 2-way electro-valve normally closed - with connector and solenoid 230V	
----------	---	--

OI201967	Ø 2" - 2-way electro-valve normally closed - with connector and solenoid 24V	
----------	--	--



PIN VALVES

Code	Description	€
------	-------------	---

OI201905	AISI 316 - Ø 3/8" Stainless steel needle valve	
----------	--	--

OI201910	AISI 316 - Ø 1/2" Stainless steel needle valve	
----------	--	--

OI201915	AISI 316 - Ø 3/4" Stainless steel needle valve	
----------	--	--

OI201920	AISI 316 - Ø 1" Stainless steel needle valve	
----------	--	--



MANOMETERS

ABS body

Code	Description	€
OI201870	ABS radial 1/4" conn. 0 - 6 bar manometer	



SS body

Code	Description	€
OI201873	Stainless steel rear 1/4" conn. oil-filled 0-10 bar manometer	
OI201874	Stainless steel rear 1/4" conn. oil-filled 0-25 bar manometer	
OI201875	Stainless steel radial 1/4" conn. oil-filled 0-10 bar manometer	
OI201872	Stainless steel radial 1/4" conn. oil-filled 0-25 bar manometer	
OI201876	Panel-mount stainless steel oil-filled 0-10 bar manometer	
OI201878	Panel-mount stainless steel oil-filled 0-25 bar manometer	
OI201880	Manometer Ø 40 panel mount conn. Ø 1/8" with bracket 0-6 bar	
OI201882	Manometer Ø 40 panel mount conn. Ø 1/8" with bracket 0-12 bar	



Bracket

Code	Description	€
OI201868	Rear conn. panel-mount manometers fixing bracket	

FLOWMETERS

For water

Code	Description	€
OI201810	Inline flowmeter R1 plexiglass 20-200 lt/hr, connections 1/2"	
OI201811	Inline flowmeter R1 plexiglass 20-300 lt/hr, connections 1/2"	
OI201812	Inline flowmeter R1 plexiglass 50-500 lt/hr, connections 1/2"	
OI201820	Inline flowmeter R2 plexiglass 40-600 lt/hr, connections 1/2"	
OI201821	Inline flowmeter R2 plexiglass 50-800 lt/hr, connections 1/2"	
OI201822	Inline flowmeter R2 plexiglass 120-1200 lt/hr, connections 3/4"	
OI201823	Inline flowmeter R2 plexiglass 100-1500 lt/hr, connections 3/4"	
OI201824	Inline flowmeter R2 plexiglass 200-2000 lt/hr, connections 1"	
OI201830	Inline flowmeter R3 plexiglass 200-3000 lt/hr, connections 1"	
OI201831	Inline flowmeter R3 plexiglass 200-4000 lt/hr, connections 1"	
OI201840	Inline flowmeter R4 plexiglass 200-4000 lt/hr, connections 1"1/4	
OI201841	Inline flowmeter R4 plexiglass 500-8000 lt/hr, connections 1"1/2	
OI201842	Inline flowmeter R4 plexiglass 1000-12000 lt/hr, connections 1"1/2	
OI201846	Inline flowmeter PL5 plexiglass 1-15 mc/hr, connections 2"1/2	
OI201845	Inline flowmeter PL5 plexiglass 2-20 mc/hr, connections 2"1/2	
OI201862	Inline flowmeter 40 - 400 lt/h rear connections 3/8" RG/I/S for O/I WRO	
OI201864	Inline flowmeter 40 - 400 lt/h rear connections 3/8" RG/I/S for O/I WRO with pin valve	



For Hcl and NaOH

Code	Description	€
OI201813	Inline flowmeter R1 plexiglass for HCl 20-120 lt/h, connections da 1/2"	
OI201814	Inline flowmeter R1 plexiglass for NaOH 20-120 lt/h, connections da 1/2"	
OI201805	Inline flowmeter R1 plexiglass for HCl 25-300 lt/h, connections da 1/2"	
OI201806	Inline flowmeter R1 plexiglass for NaOH 25-300 lt/h, connections da 1/2"	
OI201815	Inline flowmeter R1 plexiglass for HCl 40-400 lt/h, connections da 1/2"	
OI201816	Inline flowmeter R1 plexiglass for NaOH 40-400 lt/h, connections da 1/2"	
OI201828	Inline flowmeter R1 plexiglass for HCl 50-600 lt/h, connections da 1/2"	
OI201829	Inline flowmeter R1 plexiglass for NaOH 50-600 lt/h, connections da 1/2"	
OI201817	Inline flowmeter R1 plexiglass for HCl 100-1200 lt/h, connections da 1/2"	
OI201818	Inline flowmeter R1 plexiglass for NaOH 100-1200 lt/h, connections da 1/2"	



ROTARY VANE PUMPS

ROTARY VANE PUMPS

Code	Description	€
PO201807	3/8" conn. high pressure brass vane pump PO 100 L/h with by-pass	
PO201811	3/8" conn. high pressure brass vane pump PO 200 L/h with by-pass	
PO201806	3/8" conn. high pressure brass vane pump PO 300 L/h with by-pass	
PO201813	3/8" conn. high pressure brass vane pump PO 400 L/h with by-pass	
PO201821	1/2" conn. high pressure brass vane pump PO 600 L/h with by-pass	
PO201817	1/2" conn. high pressure brass vane pump PO 800 L/h with by-pass	
PO201819	1/2" conn. high pressure brass vane pump PO 1000 L/h with by-pass	



Brass pump without by-pass

Code	Description	€
PO201810	3/8" conn. high pressure brass vane pump PO 200 L/h	
PO201809	3/8" conn. high pressure brass vane pump PO 300 L/h	
PO201812	3/8" conn. high pressure brass vane pump PO 400 L/h	
PO201814	1/2" conn. high pressure brass vane pump PO 600 L/h	
PO201816	1/2" conn. high pressure brass vane pump PO 800 L/h	
PO201818	1/2" conn. high pressure brass vane pump PO 1000 L/h	



SS pump with by-pass

Code	Description	€
PO201911	3/8" conn. high pressure stainless steel vane pump PX 100 L/h with by-pass	
PO201910	3/8" conn. high pressure stainless steel vane pump PX 200 L/h with by-pass	
PO201913	3/8" conn. high pressure stainless steel vane pump PX 300 L/h with by-pass	
PO201912	3/8" conn. high pressure stainless steel vane pump PX 400 L/h with by-pass	
PO201919	1/2" conn. high pressure stainless steel vane pump PX 600 L/h with by-pass	
PO201916	1/2" conn. high pressure stainless steel vane pump PX 800 L/h with by-pass	
PO201918	1/2" conn. high pressure stainless steel vane pump PX 1000 L/h with by-pass	



SS pump without bypass

Code	Description	€
PO201921	3/8" conn. high pressure stainless steel vane pump PX 100 L/h	
PO201920	3/8" conn. high pressure stainless steel vane pump PX 200 L/h	
PO201923	3/8" conn. high pressure stainless steel vane pump PX 300 L/h	
PO201922	3/8" conn. high pressure stainless steel vane pump PX 400 L/h	
PO201924	1/2" conn. high pressure stainless steel vane pump PX 600 L/h	
PO201926	1/2" conn. high pressure stainless steel vane pump PX 800 L/h	
PO201928	1/2" conn. high pressure stainless steel vane pump PX 1000 L/h	



High pressure brass rotary pump magnetic drive

Code	Description	€
PO201820/1	3/8" conn. high pressure brass vane pump magnetic drive with by-pass	
PO201850	Magnetic coupling for magnetic drive pump	

ELECTRIC MOTORS

Electric self-cooling motor direct connection

Code	Description	€
MO201838	Electric self-cooling motor 220V - 50Hz direct conn. 150W (1/5 Hp)	
MO201840	Electric self-cooling motor 220V - 50Hz direct conn. 245W (1/3 Hp)	
MO201843	Electric self-cooling motor 220V - 50Hz direct conn. 560W (3/4 Hp)	
MO201837	Electric motor direct conn. 245W (spare for RODIRECT)	
MO201839/A	Electric motor direct conn. 180 W (spare for ECODIRECT)	
MO201847	Electric motor C042202 180 W water cooling	



Electric motor for high pressure brass blade pump magnetic drive

Code	Description	€
MO201544	Electric motor for high pressure brass blade pump magnetic drive 230V-50Hz, 90W	

Electric self-cooling motor

Code	Description	€
MO201546	Electric self-cooling motor 220V - 50Hz GR80 B3/B14 550W (3/4 Hp)	
MO201548	Electric self-cooling motor 220V - 50Hz GR80 B3/B14 750W (1 Hp)	

Joint and lantern

Code	Description	€
MO201553	Joint for motor MO201837	
MO201554	Joint B14 – M71	
MO201556	Lantern group M71	
MO201560	Joint B14 – M80	
MO201562	Lantern group M80	

CONTROL UNITS FOR RO

Code	Description	€
EASY-RO	Easy RO switchboard with graphical display, with CCK 5 probe, allows controlling small RO industrial systems. It's supplied with digital conductivity meter 0 – 2.000 μ S and membrane flow control device	
OI20015/1	WLRO switchboard with conductivity and water flooding probe. Allows controlling direct RO systems (point of use); Conductivity detection in μ S or mg/L; Back-light display. Filter exhaustion alarm system (time). Installed on RO DIRECT	



Code	Description	€
RO-D	RO DISPLAY switchboard with conductivity and water flooding probe. It's designed for small and medium RO systems control; displays conductivity and time of operation. Dimensions height 125 x width 175 x depth 80 mm	
RO-L	RO LED switchboard with conductivity and water flooding probe. It's designed for small and medium RO systems control; displays water quality through 3 led+1 indicator allarm. Dimensions height 125 x width 175 x depth 80 mm	
ROHP	Controller High Power for RO plant	
ROSHP	Controller Super High Power for RO plant	



Accessories for controller

Code	Description	€
OI20009	Conductivity probe K=5, \varnothing 3/8" without cable	
ARI00500/2	Cable for conductivity probe	

3. TUBES IN PLASTIC MATERIAL

FLEXIBLE HOSES

JOHN GUEST POLYETHYLENE TUBES

The John Guest range of plastic tubes is made of Linear Low Density Polyethylene for cold water applications.

This series of tubes offers applicability within a wide range of temperatures and pressures, excellent chemical compatibility, being made with non-contaminating material.

In addition, these are certified by the American NSF (NSF51 and NSF61 specifications), by the British drinking water authority WRAS. The raw material is FDA approved.



4 x 2,5

Code	Description	Lenght(m)	€
PEM004A	Tube PE blue 4 X 2,5 roll	100	
PEM004N	Tube PE black 4 X 2,5 roll	100	

6 x 4

Code	Description	Lenght(m)	€
PEM006A	Tube PE blue 6 X 4 roll	100	
PEM006N	Tube PE black 6 X 4 roll	100	

8 x 6

Code	Description	Lenght(m)	€
PEM008A	Tube PE blue 8 X 6 roll	100	
PEM008N	Tube PE black 8 X 6 roll	100	

10 x 7

Code	Description	Lenght(m)	€
PEM010A	Tube PE blue 10 X 7 roll	100	
PEM010N	Tube PE black 10 X 7 roll	100	

12 x 9

Code	Description	Lenght(m)	€
PEM012A	Tube PE blue 12 X 9 roll	100	
PEM012N	Tube PE black 12 X 9 roll	100	

15 x 11,5

Code	Description	Lenght(m)	€
PEM015A	Tube PE blue 15 X 11,5 roll	100	

1/4"

Code	Description	Lenght(m)	€
PEP014A	Tube PE blue 1/4" X 0.170" roll	152,4	
PEP014N	Tube PE black 1/4" X 0.170" roll	152,4	

5/16"

Code	Description	Lenght(m)	€
PEP516A	Tube PE blue 5/16" X 0.187" roll	152,4	
PEP516N	Tube PE black 5/16" X 0.187" roll	152,4	

3/8"

Code	Description	Lenght(m)	€
PEP038A	Tube PE blue 3/8" X 0.25" roll	152,4	
PEP038N	Tube PE black 3/8" X 0.25" roll	152,4	

1/2"

Code	Description	Lenght(m)	€
PEP012A	Tube PE blue 1/2" X 0.375" roll	76,2	
PEP012N	Tube PE black 1/2" X 0.375" roll	76,2	

TUBES IN POLYETHYLENE

Polyethylene flexible hoses in metric and inch sizes, for food and technological uses.
Available only in complete rolls.



6 x 4

Code	Description	Length (m)	€
OI022090	100 m. bobbin - PE 6 x 4 mm blue food-grade tube	100	
OI022092	100 m. bobbin - PE 6 x 4 mm transparent food-grade tube	100	
OI022094	100 m. bobbin - PE 6 x 4 mm white (soft) food-grade tube	100	
OI022095	100 m. bobbin - PE 6 x 4 mm black food-grade tube	100	

8 x 6

Code	Description	Length (m)	€
OI022097	100 m. bobbin - PE 8 x 6 mm transparent food-grade tube	100	
OI022098	100 m. bobbin - PE 8 x 6 mm black food-grade tube	100	

1/4"

Code	Description	Length (m)	€
OI022085	100 m. bobbin - PE 1/4" blue food-grade tube	100	
OI022088	100 m. bobbin - PE 1/4" transparent food-grade tube	100	
OI022102	101 m. bobbin - PE 1/4" black food-grade tube	100	

3/8"

Code	Description	Length (m)	€
OI022104	100 m. bobbin - PE 3/8" transparent tube for brine aspiration	100	

1/2"

Code	Description	Length (m)	€
OI022103	100 m. bobbin - PE 1/2" transparent tube for brine aspiration	100	





12



DOSING EQUIPMENTS AND ANALYSIS TOOLS

Quick Analysis Kits | Analysis tools | Dosing pumps | Tanks | Water meters

1. QUICK ANALYSIS KITS

QUICK ANALYSIS KITS	328
QUICK ANALYSIS KITS IPT	328
BLISTER-PACK LOW-COST QUICK ANALYSIS KITS KIT	329
KIT	329
TITRATION REAGENTS AND OTHER REAGENTS	329
INDICATOR REPLACEMENT 6-BOTTLES PACK	329
COLORIMETRIC REAGENTS 6-FIAL PACK	330
TITRANT REPLACEMENT 25 ML 6-FIAL PACK	330
TITRANT REPLACEMENT 250 ML 6-FIAL PACK	331
TEST TUBE	331

2. ANALYSIS TOOLS

ANALYSIS TOOLS	332
CONDUCTIVITY	332
PH-METERS	332
REDOX METER	333
DIGITAL THERMOMETER	333
SPARE	333
CONDUCTIVITY	334
CALIBRATION BUFFER	334

3. DOSING PUMPS

DLX SERIES	335
DLX-VFT/MBB DOSING PUMP	335
DLX-PH-RX-CL DOSING PUMP	335
PKX SERIES	336
PKX MA/A SERIES	336
ACCESSORIES	337
CABLES FOR PUMPS	337
PROBE	337
BUFFER SOLUTION	337
ELECTRODE HOLDER	337
FLOATING LEVEL SWITCH	337
SPARE	338
SPARE FOR DOSIG PUMP	338

4. POLYETHYLENE TANKS

POLYETHYLENE TANKS	339
---------------------------------	------------

5. WATER METERS

PULSE EMITTING WATER METERS	340
REED THREADED/FLANGED340
WOLTMANN FLANGED341
SPARE342

1. QUICK ANALYSIS KITS

QUICK ANALYSIS KITS

QUICK ANALYSIS KITS IPT

Code	Description	€
HI3810	Dissolved oxygen titration analysis kit (Winkler method).	
HI3810-100	Spare reagent Kit for 110 dissolved oxygen test	
KA300313	Hydrogen peroxide (0 - 25 ppm) kit	
KA001001	Acidity titration Kit	
KA001002	Alkalinity titration (1 grade f, p ed m) Kit	
KA001003	Alkalinity heaters t. (1 epm, p, m) kit	
KA001004	Alkalinity M titration (1 grade f) kit	
KA001005	Alkalinity p titration (1 epm) kit	
KA001006	Ammonia col. (Nessler) Kit	
KA001007	CO2 titration 0,5 F° Kit	
KA001008	Strong anions titration (1°F) Kit (to be used with 1001)	
KA001009	Calcium titration (1°F) Kit	
KA001010	O-tol. Col. (0,1 – 1,5 ppm) Kit	
KA001011	Chlorine DPD col. (0,1 – 1,5 ppm) Kit	
KA001012	Chloride titration (1°F) Kit	
KA001013	Chrome col. (0,05 – 1 ppm) Kit	
KA001014	Demineralisation col. (pH) Kit	
KA001015	Hardness titration (1°F) Kit	
KA001016	Iron col. (0,05 - 15 ppm) Kit	
KA001017	Phosphate col. (1 - 20 ppm) kit	
KA001018	Hydrazine col. (0,1 – 1,5 ppm) kit	
KA001019	Nitrites col. (0,05 - 15 ppm) Kit	
KA001020	PH 0 - 5 col. kit	
KA001021	PH 6,8 - 8,4 col. kit	
KA001022	PH kit 1 - 11 col. (universal)	
KA001024	Silica col. (0,25 – 8 ppm) Kit	
KA001025	Sulphite 2 ppm titration Kit	
KA001025.1	Sulphite 10 ppm titration Kit	
KA001026	Alkalinity titration (1 epm, m) kit	
KA001027	Boilers hardness titration (1°F) Kit	
KA001028	Nitrates col. (10 – 140 ppm) Kit	
KA001029	Hardness precipitation Kit	
KA001030	Phosphate col. (5 - 100 ppm) kit	
KA001031	Chlorimetric Chloride (0 – 80ppm) Kit	
KA001032	Residual hardness colour 0,5 - 3 ppm CaCO ₃) Kit	
KA001035	Molybdenum titration (10 ppm) Kit	
KA001039	Manganese col. (0,05 - 15 ppm) Kit	
KA006261	Soap solution 6X250	
KA300314	Arsenic 0.005-0.5 mg/l (1x100 tests) kit	



BLISTER-PACK LOW-COST QUICK ANALYSIS KITS

Code	Description	€
KA005001	Hardness 2 fl. Single Reagent 1'f titration Kit	
KA005006	Hardness 1 fl. Single Reagent 1'f titration Kit	
KA005010	Swimming Pool col (chlorine o-to e pH) Kit	
KA005011	Residual hardness titration Kit	
KA005030	pH 5 - 9,5 col. Kit	
KA005007	Hardness 1 fl. Single Reagent 1'Dh titration	



KIT

Code	Description	€
KA002001	Water test kits	
KA002002	Basic kit boiler kit	
KA002004	Simple boiler kit	
KA002006	Pools kit	

TITRATION REAGENTS AND OTHER REAGENTS

Code	Description	€
KA003203	Calcium A x 6	
KA003207	Chloride titrant A x 6	
KA003208	Chloride titrant B x 6	
KA003221	Sulphite AX6	
KA003222	Sulphite BX6	
KA003247	Hardness A x 6 (for boilers)	
KA003250	Hardness precipitate A x 6	
KA003251	Hardness precipitate B x 6	
KA003252	Hardness precipitate 1X250 A + 1X250 B	
KA003253	Hardness precipitate 2X250 A	
KA003254	Hardness precipitate 2X250 B	
KA003260	Soap solution 6X25	
KA003263	Molybdenum titrant A x 6	
KA003265	Molybdenum titrant B X 6	

INDICATOR REPLACEMENT 6-BOTTLES PACK

Code	Description	€
KA003001	Replacement calcium powder for art KA003001	
KA003002	Replacement hardness 15 ml indicator	
KA003003	Replacement m 15 ml indicator	
KA003004	Replacement p 15 ml indicator	
KA003005	Replacement pH 0 - 5 25 ml indicator for art. KA001020	
KA003006	Replacement pH 6,8 - 8,4 25 ml indicator for art. KA001021	
KA003007	Replacement pH 1 - 11 (Universal) 15 ml indicator for art. KA001022	
KA003008	Replacement pH 6,8 - 8,4 15 ml indicator for art. KA001023	

COLORIMETRIC REAGENTS 6-FIAL PACK

Code	Description	€
KA003201	Ammonia A	
KA003202	Ammonia B	
KA003204	Chorine o-tol	
KA003209	Chome A	
KA003210	Chome B	
KA003211	Iron	
KA003212	Residual hardness	
KA003213	Phosphate 1-20 ppm A	
KA003214	Phosphate 1-20 ppm B	
KA003215	Hydrazine	
KA003216	Nitrites	
KA003218	Silica A	
KA003219	Silica B	
KA003220	Silica C	
KA003239	Chorine DPD A	
KA003240	Chorine DPD B	
KA003241	Chorine DPD C	
KA003244	Nitrates	
KA003255	Chloride col.A	
KA003256	Chloride col.B	
KA003257	Phosphate 5-100 ppm A	
KA003258	Phosphate 5-100 ppm B	
KA003276	Manganese col. A	
KA003278	Manganese col. B	
KA003279	Manganese col. C	

TITRANT REPLACEMENT 25 ML 6-FIAL PACK

Code	Description	€
KA003101	Alkalinity titrant 1°F replacement	
KA003103	Alkalinity titrant 1 epm replacement	
KA003105	Acidity titrant 1°F replacement	
KA003107	Calcium titrant 1°F replacement	
KA003109	Chloride Titre 1°F replacement	
KA003111	Hardness titrant 1'f replacement	
KA003113	Sulphite titrant 2 ppm replacement	
KA003113.1	Sulphite titrant 10 ppm replacement	
KA003123	Molybdenum titrant 10 ppm replacement	

TITRANT REPLACEMENT 250 ML 6-FIAL PACK

Code	Description	€
KA003102	Alkalinity titrant 1°F replacement	
KA003104	Alkalinity titrant 1 epm replacement	
KA003106	Acidity titrant 1°F replacement	
KA003108	Calcium titrant 1°F replacement	
KA003110	Chloride titrant 1°F replacement	
KA003112	Hardness titrant 1°F replacement	
KA003114	Sulphite titrant 2 ppm replacement	
KA003114.1	Sulphite titrant 10 ppm replacement	
KA003124	Molybdenum titrant 10 ppm replacement	

TEST TUBE

Code	Description	€
KA003310	10 round test-tube 25 ml	
KA003312	12 round test-tube 10 ml	

2. ANALYSIS TOOLS

ANALYSIS TOOLS

CONDUCTIVITY

Code	Description	€
HI98129	COMBO - Pocket instrument for pH measurement – Conductivity - TDS - Temperature, automatic calibration, pH electrode replaceable	
HI98301	DiST 1 - Pocket instrument for the measurement of TDS scale 0 - 1999 ppm manual calibration, replaceable probe (conversion factor TDS 0.5)	
HI98302	DiST 2 - Pocket tool for the measurement of TDS scale 0 - 10.00 ppt (g / l) manual calibration, replaceable probe	
HI98303	DiST 3 - Pocket tool for conductivity measurement scale 0 - 1999 $\mu\text{S} / \text{cm}$ manual calibration, replaceable probe	
HI98304	DiST 4 - Pocket tool for conductivity measurement scale 0 - 1999 $\mu\text{S} / \text{cm}$ manual calibration, replaceable probe	
HI98309	UPW - Pocket tool for measuring conductivity in ultrapure water scale 0.000 - 1.999 $\mu\text{S} / \text{cm}$ (resolution 0.001 mS / cm)	
HI98311	Dist 5 - Pocket instrument watertight for the measurement of Conductivity scale 0 - 3999 $\mu\text{S} / \text{cm}$ - TDS - Temperature, automatic calibration, replaceable probe	
HI98312	Dist 6 - Pocket-sized watertight instrument for the measurement of Conductivity scale 0 - 20.00 mS / cm - TDS - Temperature, automatic calibration, replaceable probe	
OI022080	TDS METER - Pocket instrument for measuring TDS scale 10 - 1990 ppm manual calibration	



PH-METERS

Code	Description	€
HI98103	CHECKER - Pocket instrument for measuring pH scale 0.00 - 14.00, manual calibration, replaceable electrode	
HI98100	CHECKER - Pocket instrument for pH scale measurement 0.0 - 14.0, automatic calibration, replaceable electrode	
HI98107	pHep - Pocket instrument for pH measurement from 0.0 to 14.0, 2-point manual calibration	
HI98127	pHep 4 - Pocket-sized instrument watertight for the measurement of temperature - pH scale -2.0 - 16.0, automatic calibration	



REDOX METER

Code	Description	€
------	-------------	---

HI98120	Pocket tool watertight for potential measurement Redox - temperature, replaceable ORP electrode	
---------	--	--



HI98201	Pocket tool watertight for potential measurement Redox - temperature, replaceable ORP electrode	
---------	--	--



DIGITAL THERMOMETER

Code	Description	€
------	-------------	---

HI98509	Checktemp 1 C - Digital thermometer scale -50.0 +150.0 ° C complete with steel probe with 1 m cable	
---------	--	--



SPARE

Code	Description	€
------	-------------	---

HI73127	Replacement pH electrode for HI98127	
---------	--------------------------------------	--



CONDUCTIVITY

Code	Description	€
------	-------------	---

BLUCOND Conductivity with display, set point 10/400 complete with probe



CALIBRATION BUFFER

Code	Description	€
------	-------------	---

HI70004P	Calibration solution pH 4.01 conf. from 25 sachets of 20 ml	
HI70007P	Calibration solution pH 7.01 conf. from 25 sachets of 20 ml	
HI70010P	Calibration solution pH 10.01 conf. from 25 sachets of 20 ml	
HI70031P	Conductivity calibration solution 1413 μ S conf. from 25 sachets of 20 ml	
HI70032P	TDS calibration solution 1382 ppm conf. from 25 sachets of 20 ml	
HI70038P	TDS calibration solution 6.44 ppt conf. from 25 sachets of 20 ml	
HI7004L	PH calibration solution 4.01 500 ml bottle	
HI7007L	PH calibration solution 7.01 500 ml bottle	
HI7009L	PH calibration solution 9.18 500 ml bottle	
HI7010L	Calibration solution pH 10.01 500 ml bottle	
HI77400P	Solutions pH 4 and 7, pack of 5 + 5 sachets of 20 ml	



3. DOSING PUMPS

DLX SERIES

DLX-VFT/MBB DOSING PUMP

Operational functions:

Manual: manual regulation of the flow rate from 0 to 100%.

1xn: for each pulse received the pump supplies the number of injections selected by the operator.

1xn (M): for each pulse received, the pump supplies the number of injections selected by the operator.

If one or more impulses occur, during the dosing phase, these are considered and the pump supplies a number of injections equal to the product between the received contacts and the selected digit: n the pump supplies an injection of additive only when it has detected a number of pulses (contacts), corresponding to the selected digit.

TTL: Proportional by means of input pulses. Available in version without flow sensor (VFT/MB). Metering pump for wall mounting (DLX) or basement (DLXB).



Code	Description	€
ET10373	Pump DLX-VFT/MBB 1 lt/h-15 bar ; 2 lt/h - 10 bar ; 3 lt/h - 5 bar	
ET10374/S	Pump DLX-VFT/MBB 1 lt/h-15 bar ; 2 lt/h - 10 bar ; 3 lt/h - 5 bar with automatic purge	
ET10375	Pump DLX-VFT/MBB 5 lt/h - 7 bar ; 6 lt/h - 5 bar ; 8 lt/h - 2 bar	
ET10376	Pump DLX-VFT/MBB 8 lt/h - 10 bar ; 10 lt/h - 7 bar ; 12 lt/h - 3 bar	
ET10334	Pump DLX-VFT/MBB 15 lt/h - 4 bar	
ET10335	Pump DLX-VFT/MBB 20 lt/h - 3 bar	

DLX-PH-RX-CL DOSING PUMP

Dosing pump with built-in instrument for the control and regulation of pH, RX (mV) and Chlorine (ppm)

- Backlit LCD display
- ON / OFF operation - proportional
- Measurement range 0 ÷ 14pH; -1000mV ÷ + 1400mV; 0 ÷ 20ppm 4 ÷ 20mA output
- Input from pH electrode, RX (10 Tera Ohm)
- Probe gain adjustment 40 ÷ 80 mV / pH
- Manual / automatic temperature compensation 0 ÷ 100 ° C
- Set point hysteresis programming • Set point delay programming
- Measurement resolution: 0.01pH; ± 1mV; 0.1ppm; 0.1 ° C
- Metering pump for wall mounting (DLX) or basement (DLXB)
- Plastic case; IP 65 protection

The features vary depending on the model



Code	Description	€
ET10525	DLX-pH-Rx-Cl pump with built-in instrument 5 t/h - 7 bar	

PKX SERIES

PKX MA/A SERIES

The new range of electromagnetic dosing pumps is distinguished by its simplicity of use, high reliability and reduced overall dimensions. The PKX range, thanks to its characteristics and its versatility, is the ideal equipment for dosing chemical products in many sectors including: swimming pools, car washes, industrial water treatment, detergents, etc., etc.

- Metering pump for wall mounting (DLX) or basement (DLXB)

PKX MA-A & MA-AL

The flow rate is adjusted by varying the frequency, using a knob, with a 0-100% scale. The MA-AL version also incorporates the provision of level control. The appliance is equipped with a switch for switching on / off

PKX FT

Pump with proportional dosing to a voltage-free remote input signal (eg pulse transmitter counter). The proportionality can be of the type 1: 1 (F) or time (T), adjustable by knob from 0 to 60 seconds. A button selects the F or T mode.

Code	Description	€
ET10380	PKX-MA/A pump 1 lt / h - 5 bar	
ET10380L	PKX-MA/AL pump 1 lt / h - 5 bar with predisposition probe level	
ET10380FT	PKX-FT/A pump 1 lt / h - 5 bar for counter meter and predisposition probe level	
ET10385	PKX-MA/A pump 2 lt / h - 6 bar	
ET10385L	PKX-MA/AL pump 2 lt / h - 6 bar with predisposition probe level	
ET10385FT	PKX-FT/A pump 2 lt / h - 6 bar for counter meter and predisposition probe level	
ET10390	PKX-MA/A pump 5 lt / h - 5 bar	
ET10390L	PKX-MA/AL pump 5 lt / h - 5 bar with predisposition probe level	
ET10390FT	PKX-FT/A pump 5 lt / h - 5 bar for counter meter and predisposition probe level	



ACCESSORIES

CABLES FOR PUMPS

Code	Description	€
2.105.005	9 m coaxial cable for electrodes complete with BNC and connector	
2.105.007	15 m coaxial cable for electrodes complete with BNC and connector	
2.105.037	Double cable for proportional pumps (2m + 2m)	

PROBE

Code	Description	€
1ELT.005	PH Plastic Body Electrode with 5 mt cable	
1ELT.006	PH Plastic Body Electrode without cable	
1ELT.011	Redox Plastic Body Electrode with 5 mt cable	
1ELT.012	Redox Plastic Body Electrode without cable	



BUFFER SOLUTION

Bottles from 50 ml

Code	Description	€
20400598	Buffer solution Ph-4	
20400578	Buffer solution Ph-7	
20400579	Buffer solution Ph-9	
20400580	Buffer solution RX 468 mV	

ELECTRODE HOLDER

Code	Description	€
2143.001	Inline PVC electrode holder 1/2" GM	
DPS0001601	Inline SS electrode holder 1/2" GM	
2143.002	Submersible Electrode Holder 0,5 m	
2143.003	Submersible Electrode Holder 1 m	
2143.004	Submersible Electrode Holder 1,5 m	
2.PRS.001	PVC Electrodes Holder for a max of 2 probe	



FLOATING LEVEL SWITCH

Code	Description	€
ET10397SL	Level probe with connector and fixing bracket	
1ACS.001	Filter fixing bracket - level probe	

SPARE

SPARE FOR DOSIG PUMP

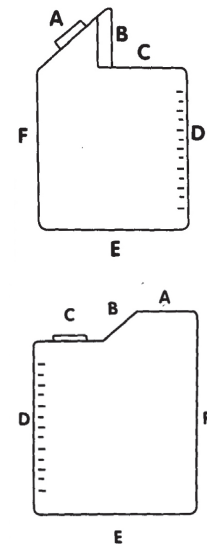
Code	Description	€
ET2083030	Pump body 2-15 lt / h, for DLX (B) also 1 lt / h, PP FPM - Viton	
ET2082702	Pump body with automatic purge 2-15 LT- Viton	
ET2083148	Pump body 20 lt / h PP FPM - Viton	
ET2084001	Standard PTFE diaphragm	
ET2142001	PP filter with FPM foot valve up to 20 lt / h	
ET2144009	Viton cylinder injection valve	
ET2061002	Standard kit with viton valve	
ET2061005	Standard kit EPDM valve	
ET4144016	TGL viton lip valve	
ET0002703	Silicone lip valve kit + pusher kit (20 pcs)	
ET4147001	Valve pusher	
ET0000101	Manual purge valve kit	
ETKRA0005701	Connector kit + Ring + O-Ring PP FPM (20 pcs)	



4. POLYETHYLENE TANKS

POLYETHYLENE TANKS

Code	Description	€
PD120V	PE tank for dosing station 120 lt with vertical wall for dosing pump	
PD100	PE tank for dosing station 100 lt	
PD250	PE tank for dosing station 250 lt	
PD500	PE tank for dosing station 500 lt	



Code	A (mm)	B (mm)	C (mm)	D (mm)	E (mm)	F (mm)	Ø Plug (mm)
PD120V	320	245	220	770	440	1010	140
PD100	230	50	210	600	460	640	140
PD250	325	45	265	825	595	870	140
PD500	330	80	390	1115	760	1185	215

5. WATER METERS

PULSE EMITTING WATER METERS

REED THREADED/FLANGED

Turbine meters with Reed type pulse emitter

Threaded version is supplied complete with coupling connections

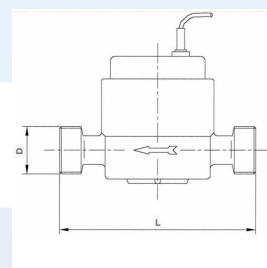
- Water temperature: 30 ° C
- Working pressure: 16 bar

STANDARD

Code	Description	€
1.CNT.028	Threaded Pulse Emitting Water Meters 1/2" K 0,25	
1.CNT.086	Threaded Pulse Emitting Water Meters 3/4" K 0,25	
1.CNT.087	Threaded Pulse Emitting Water Meters 3/4" K 1	
1.CNT.066	Threaded Pulse Emitting Water Meters 1 "K 0,25	
1.CNT.067	Threaded Pulse Emitting Water Meters 1" K 1	
1.CNT.065	Threaded Pulse Emitting Water Meters 1" K 10	
1.CNT.053	Threaded Pulse Emitting Water Meters 1"1/4 K 1	
1.CNT.054	Threaded Pulse Emitting Water Meters 1"1/4 K 10	
1.CNT.040	Threaded Pulse Emitting Water Meters 1"1/2 K 1	
1.CNT.042	Threaded Pulse Emitting Water Meters 1"1/2 K 10	
1.CNT.041	Threaded Pulse Emitting Water Meters 1"1/2 K 100	
1.CNT.000	Threaded Pulse Emitting Water Meters 2" K 1	



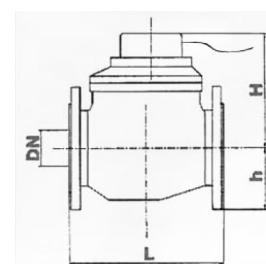
Caliber	Lenght L (mm)
1/2"	110
3/4 "	130
1"	260
1 1/4"	260
1 1/2"	300
2"	300



REED FLANGED

Code	Description	€
1.CNT.200	Flanged Pulse Emitting Water Meters DN50 K 1	
1.CNT.201	Flanged Pulse Emitting Water Meters DN50 K 10	
1.CNT.202	Flanged Pulse Emitting Water Meters DN50 K 100	

Caliber	Lenght L (mm)
DN 50	300



WOLTMANN FLANGED

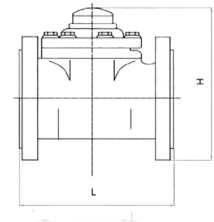
Woltmann type reel meters

- Water temperature: 30 ° C
- Working pressure: 16 bar

Code	Description	€
1.CNT.074	Flanged Pulse Emitting Water Meters DN50 K 100	
1.CNT.068	Flanged Pulse Emitting Water Meters DN65 K 100	
1.CNT.088	Flanged Pulse Emitting Water Meters DN80 K 100	
1.CNT.093	Flanged Pulse Emitting Water Meters DN100 K 100	
1.CNT.097	Flanged Pulse Emitting Water Meters DN125 K 100	
1.CNT.100	Flanged Pulse Emitting Water Meters DN150 K 1000	
1.CNT.150	Flanged Pulse Emitting Water Meters DN200 K 1000	



Co-de	Caliber	Lenght L (mm)	Depth (mm)	Lenght (mm)	Weight (kg)
1.CNT.074	DN 50	200	175	250	12
1.CNT.068	DN 65	200	185	255	13
1.CNT.088	DN 80	225	200	265	15
1.CNT.093	DN 100	250	220	275	19
1.CNT.097	DN 125	250	245	285	22
1.CNT.100	DN 150	300	285	375	47
1.CNT.150	DN 200	350	345	400	48



SPARE

Code	Description	€
WRE0003	Reed contact with cable for Andromeda Ø 2"	
WRE0007	Reed contact with cable for Andromeda Ø 1/2" - 3/4" - 1" - 1"1/4" - 1"1/2"	
WRE0011	Reed contact new style with cable for Andromeda Ø 1" - 1"1/4" - 1"1/2"	



13

RO - NF - UF MEMBRANES MEMBRANE HOUSINGS AND ACCESSORIES

Reverse osmosis membranes and nanofiltration | Vessel in glass fiber for membranes | AISI 316L vessel for membranes

1. REVERSE OSMOSIS AND NANOFILTRATION MEMBRANES

GE MEMBRANES	347
LOW PRESSURE & EXTRA LOW PRESSURE MEMBRANES	347
BRACKISH WATER - HIGH REJECTION MEMBRANES	347
BRACKISH WATER - HIGH REJECTION LOW FOULING MEMBRANES	348
SEA WATER MEMBRANES	348
NANOFILTRATION MEMBRANES	348
GE ULTRAFILTRAZIONE MODULES	349
ZEEWEED UF SYSTEM MEMBRANE - HOLLOW FIBER	349
HYDRANAUTICS MEMBRANES	350
ESPA MEMBRANES - LOW ENERGY MEMBRANES	350
CPA MEMBRANES - HIGH REJECTION MEMBRANES	350
LFC MEMBRANES - LOW FOULING MEMBRANES	351
ESNA MEMBRANES - ENERGY SAVING NANOFILTRATION MEMBRANES	351
SWC MEMBRANES - SEA WATER MEMBRANES	351
SPARE HYDRANAUTICS	351
HYDRANAUTICS ULTRAFILTRAZIONE MODULES	352
HYDRACAP ULTRAFILTRAZIONE MODULES	352
HYDRACAP MAX ULTRAFILTRAZIONE MODULES	352
SPARE FOR ULTRAFILTRATION	352
IDROPRO MEMBRANES	353
RESIDENTIAL MEMBRANES	353
COMMERCIAL MEMBRANES	353
SW MEMBRANES	353
INDUSTRIAL MEMBRANES	353
FILMTEC MEMBRANES	353
ASPRING MEMBRANES	353

2. FIBERGLASS VESSELS FOR MEMBRANES

FOR MEMBRANES 2" 1/2	354
300 PSI	354
600 PSI	354
1000 PSI	354
FOR MEMBRANES 4" END PORT	355
300 PSI	355
450 PSI	355
600 PSI	355
1000 PSI	355

1200 PSI	355
FOR MEMBRANES 4" SIDE PORT	356
300 PSI	356
450 PSI	356
600 PSI	356
1000 PSI	356
1200 PSI	356
FOR MEMBRANES 8" END PORT	357
300 PSI	357
450 PSI	357
600 PSI	357
1000 PSI	357
1200 PSI	357
FOR MEMBRANES 8" SIDE PORT	358
300 PSI	358
450 PSI	358
600 PSI	358
1000 PSI	359
1200 PSI	359
ACCESSORIES FOR FIBERGLASS VESSELS	360
STUB GROOVED	361
VICTAULIC 500 PSI	361
VICTAULIC 1000 PSI	361
SPARE	362

3. SS 316L VESSEL FOR MEMBRANES

FOR MEMBRANES 2" 1/2	362
250 PSI TAPPI IN MOPLN	362
FOR MEMBRANES 4"	362
250 PSI TAPPI IN MOPLN	362
250 PSI MOULDED PLASTIC LOCKING CLAMP - MACHINED PLASTIC CAPS	363
600 PSI SS 316L CAPS	363
1000 PSI SIDE PORT 180° VICTAULIC	363
FOR MEMBRANES 8"	364
400 PSI END PORT VICTAULIC 1" 1/2	364
400 PSI SIDE PORT VICTAULIC 1" 1/2	364
SPARES FOR VESSEL AISI 316L	365
FOR VESSEL 2" 1/2"	365

FOR VESSEL 4"	365
FOR VESSEL 8"	365

4. VESSEL IN PLASTIC MATERIAL FOR MEMBRANES

VESSEL IN PLASTIC MATERIAL	366
FOR MEMBRANES 1812 150 PSI	366
FOR MEMBRANES 012	366
FOR MEMBRANES 3013	366
FOR MEMBRANES 3208 & 3308	366

1. REVERSE OSMOSIS AND NANOFILTRATION MEMBRANES

GE MEMBRANES

LOW PRESSURE & EXTRA LOW PRESSURE MEMBRANES

2,5"

Code	Description	Average permeate flow (GPD)/(mc/g)	Minimum NaCl rejection %	€
GEAK25005	Membrane AK2521TM	300/1,14 (gpd/m3/d)	99,0%	
GEAK25010	Membrane AK2540TM	710/2,7 (gpd/m3/d)	99,0%	

4"

Code	Description	Average permeate flow (GPD)/(mc/g)	Minimum NaCl rejection %	€
GEAK40005	Membrane AK4021TM	1050/3,9 (gpd/m3/d)	99,0%	
GEAK40010	Membrane AK4040TM	2200/8,3 (gpd/m3/d)	99,0%	
GEAK40020	Membrane AK-90	2200/8,3 (gpd/m3/d)	99,5%	
GEAK40030	Membrane AK-90 LE	2800/10,6 (gpd/m3/d)	99,3%	
GEAP40020	Membrane AP-90	2400/10,2 (gpd/m3/d)	95,0%	

8"

Code	Description	Average permeate flow (GPD)/(mc/g)	Minimum NaCl rejection %	€
GEAK80020	Membrane AK-400	10500/39,7 (gpd/m3/d)	99,5%	
GEAK80025	Membrane AK-400, 34	10500/39,7 (gpd/m3/d)	99,5%	
GEAK80030	Membrane AK-440	11500/43,5 (gpd/m3/d)	99,5%	
GEAK80040	Membrane AK-400 LE, 34	12300/46,6 (gpd/m3/d)	99,3%	
GEAK80050	Membrane AK-440LE	13500/51,1 (gpd/m3/d)	99,3%	
GEAP80015	Membrane AP-365	11000/41,6 (gpd/m3/d)	95,0%	
GEAP80020	Membrane AP-400	12500/47,2 (gpd/m3/d)	95,0%	

BRACKISH WATER - HIGH REJECTION MEMBRANES

4"

Code	Description	Average permeate flow (GPD)/(mc/g)	Minimum NaCl rejection %	€
GEAG40020	Membrane AG-90	2200/8,3 (gpd/m3/d)	99,8%	

8"

Code	Description	Average permeate flow (GPD)/(mc/g)	Minimum NaCl rejection %	€
GEAG80020	Membrane AG-400	10500/39,7 (gpd/m3/d)	99,8%	
GEAG80025	Membrane AG-400, 34	10500/39,7 (gpd/m3/d)	99,8%	
GEAG80030	Membrane AG-440	11500/43,5 (gpd/m3/d)	99,8%	

BRACKISH WATER - HIGH REJECTION LOW FOULING MEMBRANES

4"

Code	Description	Average permeate flow (GPD)/(mc/g)	Minimum NaCl rejection %	€
GEAG40040	Membrane AG-90 LF	2200/8,3 (gpd/m3/d)	99,8%	

8"

Code	Description	Average permeate flow (GPD)/(mc/g)	Minimum NaCl rejection %	€
GEAG80045	Membrane AG-400, 34 LF	10500/39,7 (gpd/m3/d)	99,8%	
GEAG80050	Membrane AG-440 LF	11500/43,5 (gpd/m3/d)	99,8%	

SEA WATER MEMBRANES

4"

Code	Description	Average permeate flow (GPD)/(mc/g)	Minimum NaCl rejection %	€
GEAE40020	Membrane AE-90	2000/7,6 (gpd/m3/d)	99,8%	
GEAD40020	Membrane AD-90	1500/5,7 (gpd/m3/d)	99,75%	

8"

Code	Description	Average permeate flow (GPD)/(mc/g)	Minimum NaCl rejection %	€
GEAE80025	Membrane AE-400, 34	9000/34,1 (gpd/m3/d)	99,8%	
GEAE80030	Membrane AE-440	9900/37,5 (gpd/m3/d)	99,8%	
GEAD80025	Membrane AD-400, 34	6500/24,6 (gpd/m3/d)	99,8%	
GEAD80030	Membrane AD-440	7100/26,9 (gpd/m3/d)	99,8%	

NANOFILTRATION MEMBRANES

2,5"

Code	Description	Average permeate flow (GPD)/(mc/g)	Minimum NaCl rejection %	€
GEHL25010	Membrane HL2540TM	2000/7,6 (gpd/m3/d)	90,0%	

4"

Code	Description	Average permeate flow (GPD)/(mc/g)	Minimum NaCl rejection %	€
GEHL40010	Membrane HL4040TM	8400/31,8 (gpd/m3/d)	92,0%	

4"

Code	Description	Average permeate flow (GPD)/(mc/g)	Minimum NaCl rejection %	€
GEHL80005	Membrane HL8040F-365	8400/31,8 (gpd/m3/d)	92,0%	
GEHL80010	Membrane HL8040F-400	10500/39,7 (gpd/m3/d)	90,0%	

GE ULTRAFILTRAZIONE MODULES

ZEEWEED UF SYSTEM MEMBRANE - HOLLOW FIBER

2,5"

Code	Description	Area m ² -lt/hr	Porosity	€
GEZW700B-225	ZW700B-225 SevenBore PES	at 100 l/m ² h = 25 l/h	0,02 μm	
GEZW700B-250	ZW700B-250 SevenBore PES	at 100 l/m ² h = 60 l/h	0,02 μm	
GEZW700B-450	ZW700B-450 SevenBore PES	at 100 l/m ² h = 265 l/h	0,02 μm	
GEZW700B-4100	ZW700B-4100 SevenBore PES	at 100 l/m ² h = 580 l/h	0,02 μm	
GEZW700B-6100	ZW700B-6100 SevenBore PES	at 100 l/m ² h = 1200 l/h	0,02 μm	
GEZW700B-10060	ZW700B-10060 SevenBore PES	at 100 l/m ² h = 6000 l/h	0,02 μm	
GEZW700B-10060A	ZW700B-10060 Senza testate		0,02 μm	
GEZW1500110	ZeeWeed 1500-600 PVDF	at 130 l/m ² h = 7300 l/h	0,02 μm	
GEZW1500120	ZeeWeed 1500-RMS PVDF #	at 130 l/m ² h = 7300 l/h	0,02 μm	

Included: Vict. clamp, TE fittings, support base.

HYDRANAUTICS MEMBRANES

ESPA MEMBRANES - LOW ENERGY MEMBRANES

2,5"

Code	Description	Average permeate flow (GPD)/(mc/g)	Minimum NaCl rejection %	€
HYE00225	Membrane ESPA-2514	250/0,9 (gpd/m3/d)	99,4%	
HYE00425	Membrane ESPA-2521	350/1,3 (gpd/m3/d)	99,4%	
HYE00625	Membrane ESPA-2540	750/2,84 (gpd/m3/d)	99,4%	

4" - 4,6"

Code	Description	Average permeate flow (GPD)/(mc/g)	Minimum NaCl rejection %	€
HYE00825	Membrane ESPA-4014	500/1,9 (gpd/m3/d)	99,4%	
HYE01025	Membrane ESPA-4021	1000/3,8 (gpd/m3/d)	99,4%	
HYE01450	Membrane ESPA-4611	930/3,5 (gpd/m3/d)	99,4%	
HYE01525	Membrane ESPA-4641	3600/13,6 (gpd/m3/d)	99,4%	
HYE01220	Membrane ESPA1-4040	2600/9,8 (gpd/m3/d)	99,3%	
HYE01225	Membrane ESPA1-LD-4040	2450/9,27 (gpd/m3/d)	99,4%	
HYE01240	Membrane ESPA2-4040	1900/7,2 (gpd/m3/d)	99,6%	
HYE01245	Membrane ESPA2-LD-4040	2000/7,57 (gpd/m3/d)	99,6%	
HYE01280	Membrane ESPA4-4040	2500/9,46 (gpd/m3/d)	99,6%	
HYE01282	Membrane ESPA4-LD-4040	2350/8,9 (gpd/m3/d)	99,6%	

8"

Code	Description	Average permeate flow (GPD)/(mc/g)	Minimum NaCl rejection %	€
HYE02080	Membrane ESPA2-LD	10000/37,9 (gpd/m3/d)	99,6%	
HYE02060	Membrane ESPA2 MAX	12000/45,4 (gpd/m3/d)	99,6%	
HYE02144	Membrane ESPA4-LD	12000/45,4 (gpd/m3/d)	99,2%	
HYE02142	Membrane ESPA4 MAX	13200/50,0 (gpd/m3/d)	99,2%	

CPA MEMBRANES - HIGH REJECTION MEMBRANES

4"

Code	Description	Average permeate flow (GPD)/(mc/g)	Minimum NaCl rejection %	€
HYC01320	Membrane CPA2-4040	2250/8,5 (gpd/m3/d)	99,5%	
HYC01322	Membrane CPA-4040E	2500/9,46 (gpd/m3/d)	99,5%	
HYC01380	Membrane CPA5-LD-4040	2100/7,95 (gpd/m3/d)	99,7%	

8"

Code	Description	Average permeate flow (GPD)/(mc/g)	Minimum NaCl rejection %	€
HYC02220	Membrane CPA2	10000/37,9 (gpd/m3/d)	99,7%	
HYC02240	Membrane CPA3	11000/41,6 (gpd/m3/d)	99,7%	
HYC02340	Membrane CPA5-LD	11000/41,6 (gpd/m3/d)	99,7%	
HYC02342	Membrane CPA5 MAX	12000/45,5 (gpd/m3/d)	99,7%	
HYC02350	Membrane CPA6-LD	8000/30,3 (gpd/m3/d)	99,75%	
HYC02352	Membrane CPA6-MAX	8800/33,4 (gpd/m3/d)	99,75%	
HYC02360	Membrane CPA7-LD	11500/43,5 (gpd/m3/d)	99,80%	

LFC MEMBRANES 51 - LOW FOULING MEMBRANES

4"

Code	Description	Average permeate flow (GPD)/(mc/g)	Minimum NaCl rejection %	€
HYL06055	Membrane LFC3-LD-4040	2100/7,95 (gpd/m3/d)	99,7%	

8"

Code	Description	Average permeate flow (GPD)/(mc/g)	Minimum NaCl rejection %	€
HYL06060	Membrane LFC3-LD	11000/41,6 (gpd/m3/d)	99,7%	

ESNA MEMBRANES - ENERGY SAVING NANOFILTRATION MEMBRANES

4"

Code	Description	Average permeate flow (GPD)/(mc/g)	Minimum NaCl rejection %	€
HYN013924	Membrane ESNA1-LF2-LD-4040	2000/7,6 (gpd/m3/d)	90,0%	

8"

Code	Description	Average permeate flow (GPD)/(mc/g)	Minimum NaCl rejection %	€
HYN02295	Membrane ESNA1-LF2	8400/31,8 (gpd/m3/d)	92,0%	
HYN02294	Membrane ESNA1-LF-LD	8400/31,8 (gpd/m3/d)	92,0%	
HYN02297	Membrane ESNA1-LF2-LD	10500/39,7 (gpd/m3/d)	90,0%	

SWC MEMBRANES - SEA WATER MEMBRANES

2,5"

Code	Description	Average permeate flow (GPD)/(mc/g)	Minimum NaCl rejection %	€
HYS00397	Membrane SWC-2514	110/0,4 (gpd/m3/d)	99,4%	
HYS00597	Membrane SWC-2521	220/0,8 (gpd/m3/d)	99,4%	
HYS00787	Membrane SWC-2540	625/2,4 (gpd/m3/d)	99,4%	

4"

Code	Description	Average permeate flow (GPD)/(mc/g)	Minimum NaCl rejection %	€
HYS01187	Membrane SWC-4021	640/2,4 (gpd/m3/d)	99,4%	
HYS013975	Membrane SWC5-LD-4040	625/2,4 (gpd/m3/d)	99,4%	
HYS013978	Membrane SWC6-LD-4040	625/2,4 (gpd/m3/d)	99,4%	

8"

Code	Description	Average permeate flow (GPD)/(mc/g)	Minimum NaCl rejection %	€
HYS04120	Membrane SWC4+	6500/24,6 (gpd/m3/d)	99,8%	
HYS04155	Membrane SWC4-LD	6500/24,6 (gpd/m3/d)	99,8%	
HYS04142	Membrane SWC4B-LD	6500/24,6 (gpd/m3/d)	99,8%	
HYS04160	Membrane SWC4 MAX	7200/27,3 (gpd/m3/d)	99,8%	
HYS04220	Membrane SWC5	9000/34,1 (gpd/m3/d)	99,8%	
HYS04260	Membrane SWC5-LD	9000/34,1 (gpd/m3/d)	99,8%	
HYS04240	Membrane SWC5 MAX	9900/37,5 (gpd/m3/d)	99,8%	
HYS042300	Membrane SWC6-LD	12000/45,5 (gpd/m3/d)	99,8%	
HYS04320	Membrane SWC6 MAX	13200/50,0 (gpd/m3/d)	99,8%	

SPARE HYDRANAUTICS

Code	Description	€
HYZ101850122	O-rings per interconnector 0,75" membrane 4" (single pcs)	
HYZ10187523	O-rings per interconnector 1,125" membrane 8" (kit 20 pcs)	
HYZ11158	External Interconnector 4" (0,75")	
HYZ11518	Internal interconnector 8" (1,125" for low pressure elements)	
HYZ11574	Internal interconnector 8" (1,125" for high pressure element)	
HYZ84473035	U-cup 4" Brine Seal	
HYZ84473040	U-cup 4,6" Brine Seal	
HYZ84473069	U-cup 8" Brine Seal	

HYDRANAUTICS ULTRAFILTRAZIONE MODULES

HYDRACAP ULTRAFILTRAZIONE MODULES

Code	Description	€
HYU80040	Module HYDRAcap 4040	
HYU80021	Module HYDRAcap40	
HYU80025	Module HYDRAcap60	
HYU80030	Module HYDRAcap80	

HYDRACAP MAX ULTRAFILTRAZIONE MODULES

Code	Description	€
HYU80045	Module HYDRAcapMAX 4040	
HYU80024	Module HYDRAcapMAX 40	
HYU80029	Module HYDRAcapMAX 60	
HYU80032	Module HYDRAcapMAX 80	

SPARE FOR ULTRAFILTRATION

Code	Description	€
HYZ10185144	Hydracap 8 adapt o ring 144 221A	
HYZ10185220	Hydracap 8 adapt o ring22 228A	
HYZ10185875	Hydracap 8 endcap O-ring 875 acs 1549	
HYZ11536000	Hydracap 8 End Cap Ported	
HYZ11537000	End Cap Non Ported	
HYZ11541100	Hydracap 8 metal clamp	
HYZ11546100	Hydracap 8 product end adapt	
HYZ11547100	Hydracap 8 plug adapt	
HYZ11612000	Hydracap 8 repair pin6	

IDROPRO MEMBRANES

IdroPro

RESIDENTIAL MEMBRANES

Code	Description	Pressure	Minimum rejection %	€
OI021780	TW-RO-1812-50GPD	60 PSI	98,0 %	
OI021782	TW-RO-1812-75GPD	60 PSI	97,0 %	
OI021784	TW-RO-2012-100GPD	60 PSI	97,0 %	
OI021786	TW-RO-2012-150GPD	70 PSI	97,0 %	
OI021790	TW-RO-3012-300GPD *	90 PSI	98,0 %	
OI021792	TW-RO-3012-400GPD *	90 PSI	97,0 %	

*Membrane shaft D.17 compatible with Vessel OI022002 and with Vessel OI022002/2 with reduction OI021830

COMMERCIAL MEMBRANES

Code	Description	Average permeate flow (GPD)/(mc/g)	Minimum NaCl rejection %	€
OI021800	BW-RO-2521-ULP	350 /1,30 (gpd/m3/d)	99 %	
OI021801	TW-RO-2540-XLP	700 /2,84 (gpd/m3/d)	99 %	
OI021802	BW-RO-2540-ULP	700 /2,84 (gpd/m3/d)	99 %	
OI021804	BW-RO-4021-ULP	1000 /3,80 (gpd/m3/d)	99 %	
OI021805	TW-RO-4040-XLP	2400 /9,10 (gpd/m3/d))	99,3 %	
OI021806	BW-RO-4040-ULP21	2400 /9,10 (gpd/m3/d)	99,3 %	
OI021808	BW-RO-4040-LP21	2400 /9,10 (gpd/m3/d)	99,5 %	

INDUSTRIAL MEMBRANES

Code	Description	Average permeate flow (GPD)/(mc/g)	Minimum NaCl rejection %	€
OI021812	BW-RO-8040-ULP22	12000 /45,4 (gpd/m3/d)	99,3 %	
OI021818	BW-RO-8040-LP22	10500 /39,7 (gpd/m3/d)	99,5 %	

SW MEMBRANES

Code	Description	Average permeate flow (GPD)/(mc/g)	Minimum NaCl rejection %	€
OI021821	SW-RO-2521	300 /1,14 (gpd/m3/d)	99,7 %	
OI021822	SW-RO-2540	600 /2,27 (gpd/m3/d)	99,7 %	
OI021823	SW-RO-4021	800 /3,03 (gpd/m3/d)	99,7 %	
OI021824	SW-RO-4040 (85 ft2)	1800 /6,80 (gpd/m3/d)	99,6 %	

MEMBRANE FILMTEC

Code	Description	€
OI021707	TW30-1812-100	

MEMBRANE ASPRING

(#) material on request not managed in stock

Code	Description	€
OI021703	Membrane TW30-1812-50	
OI021704	Membrane TW30-2012-100	
OI021701	Membrane NF 90-2012-180	
OI021727	Membrane NF90-3012-460 GPD **	
OI021920	Membrane OI-TFC 3013 400 GPD x RO400-CR	

**Membrane shaft D. 21 compatible with Vessel OI022002/2

2. FIBERGLASS VESSELS FOR MEMBRANES

ROPV

FOR MEMBRANES 2" 1/2

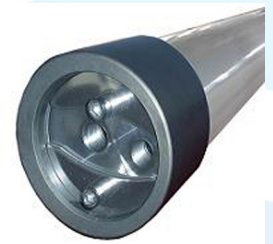
300 PSI

Code	Description	€
FVR2514300	Pressure Vessel 1 element 2514	
FVR2521300	Pressure Vessel 1 element 2521	
FVR2540300	Pressure Vessel 1 element 2540	



600 PSI

Code	Description	€
FVR2514600	Pressure Vessel 1 element 2514	
FVR2521600	Pressure Vessel 1 element 2521	
FVR2540600	Pressure Vessel 1 element 2540	



1000 PSI

Code	Description	€
FVR2514100	Pressure Vessel 1 element 2514	
FVR2521100	Pressure Vessel 1 element 2521	
FVR2540100	Pressure Vessel 1 element 2540	



PER MEMBRANE DA 4" END PORT

300 PSI

Code	Description	€
FVR4021A300	Pressure Vessel 1 element 4021 direct connections	
FVR4040A300	Pressure Vessel 1 element 4040 direct connections	
FVR4301E	Pressure Vessel 1 element 4040	
FVR4302E	Pressure Vessel 2 elements 4040	
FVR4303E	Pressure Vessel 3 elements 4040	
FVR4304E	Pressure Vessel 4 elements 4040	
FVR4305E	Pressure Vessel 5 elements 4040	



450 PSI

Code	Description	€
FVR4451E	Pressure Vessel 1 element 4040	
FVR4452E	Pressure Vessel 2 elements 4040	
FVR4453E	Pressure Vessel 3 elements 4040	
FVR4454E	Pressure Vessel 4 elements 4040	
FVR4455E	Pressure Vessel 5 elements 4040	



600 PSI

Code	Description	€
FVR4601E	Pressure Vessel 1 element 4040	
FVR4602E	Pressure Vessel 2 elements 4040	
FVR4603E	Pressure Vessel 3 elements 4040	
FVR4604E	Pressure Vessel 4 elements 4040	
FVR4605E	Pressure Vessel 5 elements 4040	



1000 PSI

Code	Description	€
FVR4021C1000	Pressure Vessel 1 element 4021	
FVR41001E	Pressure Vessel 1 element 4040	
FVR41002E	Pressure Vessel 2 elements 4040	
FVR41003E	Pressure Vessel 3 elements 4040	
FVR41004E	Pressure Vessel 4 elements 4040	
FVR41005E	Pressure Vessel 5 elements 4040	



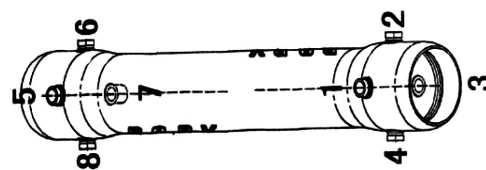
1200 PSI

Code	Description	€
FVR41201E	Pressure Vessel 1 element 4040	
FVR41202E	Pressure Vessel 2 elements 4040	
FVR41203E	Pressure Vessel 3 elements 4040	
FVR41204E	Pressure Vessel 4 elements 4040	
FVR41205E	Pressure Vessel 5 elements 4040	



FOR MEMBRANES 4" SIDE PORT

Vessel supplied with standard ports in positions 1-5.
 Versions with connections in different positions available on request



300 PSI

Code	Description	€
FVR4301S	Pressure Vessel 1 element 4040	
FVR4301S17C	Pressure Vessel 1 element 4040 C1C7 - PP 1/2" Rc	
FVR4302S	Pressure Vessel 2 elements 4040	
FVR4302S17C	Pressure Vessel 2 elements 4040 C1C7 - PP 1/2" Rc	
FVR4303S	Pressure Vessel 3 elements 4040	
FVR4303S17C	Pressure Vessel 3 elements 4040 C1C7 - PP 1/2" Rc	
FVR4303S135C	Pressure Vessel 3 elements 4040 C1C3C5 - PP 1/2" Rc	
FVR4304S	Pressure Vessel 4 elements 4040	
FVR4305S	Pressure Vessel 5 elements 4040	



450 PSI

Code	Description	€
FVR4451S	Pressure Vessel 1 element 4040	
FVR4452S	Pressure Vessel 2 elements 4040	
FVR4453S	Pressure Vessel 3 elements 4040	
FVR4454S	Pressure Vessel 4 elements 4040	
FVR4455S	Pressure Vessel 5 elements 4040	



600 PSI

Code	Description	€
FVR4601S	Pressure Vessel 1 element 4040	
FVR4602S	Pressure Vessel 2 elements 4040	
FVR4603S	Pressure Vessel 3 elements 4040	
FVR4604S	Pressure Vessel 4 elements 4040	
FVR4605S	Pressure Vessel 5 elements 4040	



1000 PSI

Code	Description	€
FVR41001S	Pressure Vessel 1 element 4040	
FVR41002S	Pressure Vessel 2 elements 4040	
FVR41003S	Pressure Vessel 3 elements 4040	
FVR41004S	Pressure Vessel 4 elements 4040	
FVR41005S	Pressure Vessel 5 elements 4040	



1200 PSI

Code	Description	€
FVR41201S	Pressure Vessel 1 element 4040	
FVR41202S	Pressure Vessel 2 elements 4040	
FVR41203S	Pressure Vessel 3 elements 4040	
FVR41204S	Pressure Vessel 4 elements 4040	
FVR41205S	Pressure Vessel 5 elements 4040	



FOR MEMBRANES 8" END PORT

300 PSI

Code	Description	€
FVR8301E	Pressure Vessel 1 element 8040	
FVR8302E	Pressure Vessel 2 elements 8040	
FVR8303E	Pressure Vessel 3 elements 8040	
FVR8304E	Pressure Vessel 4 elements 8040	
FVR8305E	Pressure Vessel 5 elements 8040	
FVR8306E	Pressure Vessel 6 elements 8040	
FVR8307E	Pressure Vessel 7 elements 8040	
FVR8308E	Pressure Vessel 8 elements 8040	

450 PSI

Code	Description	€
FVR8451E	Pressure Vessel 1 element 8040	
FVR8452E	Pressure Vessel 2 elements 8040	
FVR8453E	Pressure Vessel 3 elements 8040	
FVR8454E	Pressure Vessel 4 elements 8040	
FVR8455E	Pressure Vessel 5 elements 8040	
FVR8456E	Pressure Vessel 6 elements 8040	
FVR8457E	Pressure Vessel 7 elements 8040	
FVR8458E	Pressure Vessel 8 elements 8040	

600 PSI

Code	Description	€
FVR8601E	Pressure Vessel 1 element 8040	
FVR8602E	Pressure Vessel 2 elements 8040	
FVR8603E	Pressure Vessel 3 elements 8040	
FVR8604E	Pressure Vessel 4 elements 8040	
FVR8605E	Pressure Vessel 5 elements 8040	
FVR8606E	Pressure Vessel 6 elements 8040	
FVR8607E	Pressure Vessel 7 elements 8040	
FVR8608E	Pressure Vessel 8 elements 8040	

1 000 PSI

Code	Description	€
FVR81001E	Pressure Vessel 1 element 8040	
FVR81002E	Pressure Vessel 2 elements 8040	
FVR81003E	Pressure Vessel 3 elements 8040	
FVR81004E	Pressure Vessel 4 elements 8040	
FVR81005E	Pressure Vessel 5 elements 8040	
FVR81006E	Pressure Vessel 6 elements 8040	
FVR81007E	Pressure Vessel 7 elements 8040	
FVR81008E	Pressure Vessel 8 elements 8040	

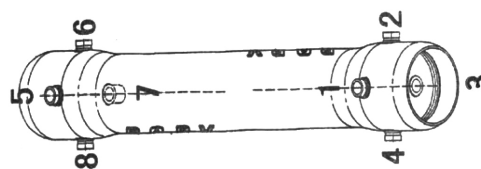
1 200 PSI

Code	Description	€
FVR81201E	Pressure Vessel 1 element 8040	
FVR81202E	Pressure Vessel 2 elements 8040	
FVR81203E	Pressure Vessel 3 elements 8040	
FVR81204E	Pressure Vessel 4 elements 8040	
FVR81205E	Pressure Vessel 5 elements 8040	
FVR81206E	Pressure Vessel 6 elements 8040	
FVR81207E	Pressure Vessel 7 elements 8040	
FVR81208E	Pressure Vessel 8 elements 8040	



FOR MEMBRANES 8" SIDE PORT

Vessel supplied with standard ports in positions 1-5.
 Versions with connections in different positions available on request.



300 PSI

Code	Description	€
FVR8301S	Pressure Vessel 1 element 8040	
FVR8301S17D	Pressure Vessel 1 elements 8040 D1D7-PP1"/32 UA	
FVR8302S	Pressure Vessel 2 elements 8040	
FVR8303S	Pressure Vessel 3 elements 8040	
FVR8304S	Pressure Vessel 4 elements 8040	
FVR8305S	Pressure Vessel 5 elements 8040	
FVR8306S	Pressure Vessel 6 elements 8040	
FVR8307S	Pressure Vessel 7 elements 8040	
FVR8308S	Pressure Vessel 8 elements 8040	



450 PSI

Code	Description	€
FVR8451S	Pressure Vessel 1 element 8040	
FVR8451S17D	Pressure Vessel 1 element 8040 D1D7-PP1"/32 UA	
FVR8452S	Pressure Vessel 2 elements 8040	
FVR8452S17D	Pressure Vessel 2 elements 8040 D1D7-PP1"/32 UA	
FVR8453S	Pressure Vessel 3 elements 8040	
FVR8453S17E	Pressure Vessel 3 elements 8040 E1E7-PP1"/32 UA	
FVR8453S135E	Pressure Vessel 3 elements 8040 E1E3E5-PP1"/32 UA	
FVR8454S	Pressure Vessel 4 elements 8040	
FVR8454S17E	Pressure Vessel 4 elements 8040 E1E7-PP1"/32 UA	
FVR8454S135E	Pressure Vessel 4 elements 8040 E1E3E5-PP1"/32 UA	
FVR8455S	Pressure Vessel 5 elements 8040	
FVR8456S	Pressure Vessel 6 elements 8040	
FVR8457S	Pressure Vessel 7 elements 8040	
FVR8458S	Pressure Vessel 8 elements 8040	



600 PSI

Code	Description	€
FVR8601S	Pressure Vessel 1 element 8040	
FVR8602S	Pressure Vessel 2 elements 8040	
FVR8603S	Pressure Vessel 3 elements 8040	
FVR8604S	Pressure Vessel 4 elements 8040	
FVR8605S	Pressure Vessel 5 elements 8040	
FVR8606S	Pressure Vessel 6 elements 8040	
FVR8607S	Pressure Vessel 7 elements 8040	
FVR8608S	Pressure Vessel 8 elements 8040	



1000 PSI

Code	Description	€
FVR81001S	Pressure Vessel 1 element 8040	
FVR81002S	Pressure Vessel 2 elements 8040	
FVR81003S	Pressure Vessel 3 elements 8040	
FVR81004S	Pressure Vessel 4 elements 8040	
FVR81005S	Pressure Vessel 5 elements 8040	
FVR81006S	Pressure Vessel 6 elements 8040	
FVR81007S	Pressure Vessel 7 elements 8040	
FVR81008S	Pressure Vessel 8 elements 8040	



1200 PSI

Code	Description	€
FVR81201S	Pressure Vessel 1 element 8040	
FVR81202S	Pressure Vessel 2 elements 8040	
FVR81203S	Pressure Vessel 3 elements 8040	
FVR81204S	Pressure Vessel 4 elements 8040	
FVR81205S	Pressure Vessel 5 elements 8040	
FVR81206S	Pressure Vessel 6 elements 8040	
FVR81207S	Pressure Vessel 7 elements 8040	
FVR81208S	Pressure Vessel 8 elements 8040	



ACCESSORIES FOR FIBERGLASS VESSELS

VICTAULIC FERRULE

Code	Description	€
OI022591	Victaulic ferule AISI 316 - 3/4" (26,7 x 45 mm)	
OI022588	Victaulic ferule AISI 316 - 1" (33,7 x 45 mm)	
OI022590	Victaulic ferule AISI 316 - 1"1/2 (48,3 x 60 mm)	
OI022592	Victaulic ferule AISI 316 - 2" (60,3 x 60 mm)	
OI022594	Victaulic ferule AISI 316 - 2"1/2 (73,0 x 90 mm)	
OI022593	Victaulic ferule AISI 316 - 3" (88,9 x 57 mm)	
OI022595	Victaulic ferule AISI 316 - 1"1/2 Filett. M (lg. 60 mm)	



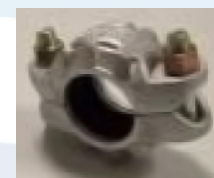
VICTAULIC 500 PSI

Code	Description	€
OI022650	Victaulic coupling 1"-500 PSI Cast-Iron painted (33,7 mm)	
OI022651	Victaulic coupling 1"1/4-500 PSI Cast-Iron painted (42,4 mm)	
OI022652	Victaulic coupling 1"1/2-500 PSI Cast-Iron painted (48,3 mm)	
OI022653	Victaulic coupling 2"-500 PSI Cast-Iron painted (60,3 mm)	
OI022655	Victaulic coupling 3" OD-500 PSI Cast-Iron painted (76,1 mm)	
OI022656	Victaulic coupling 3"-500 PSI Cast-Iron painted (88,9 mm)	



VICTAULIC 1000 PSI

Code	Description	€
OI022640	Victaulic coupling 1" Vict. 77-1000 PSI Cast-Iron painted (33,7 mm)	
OI022641	Victaulic coupling 1"1/4 Vict. 77-1000 PSI Cast-Iron painted (42,4 mm)	
OI022642	Victaulic coupling 1"1/2 Vict. 77-1000 PSI Cast-Iron painted (48,3 mm)	
OI022643	Victaulic coupling 2" Vict. 77-1000 PSI Cast-Iron painted (60,3 mm)	
OI022644	Victaulic coupling 2"1/2 Vict. 77-1000 PSI Cast-Iron painted (73,0 mm)	
OI0226441	Victaulic coupling 3" OD Vict.77-1000 PSI Cast-Iron painted (76,1 mm)	
OI022645	Victaulic coupling 3" Vict. 77-1000 PSI Cast-Iron painted (88,9 mm)	



SPARE

Code	Description	€
FV25000/1	FRP Cap kit for 21/2 "300 psi 1/4" Rc ISO 7/1 vessel	
FV40046	FRP Vessel cap for 4 "D.C. 300PSI 1/2" x 1/2 "Rc ISO 7/1	
FV40048	FRP Cap for 4 "SP 300 / 450PSI Side-Port 1/2" Rc ISO 7/1 vessel	
FV40050/1	FRP Cap for 4 "EP 300 / 450PSI 3/4" x 1/2 "Rc ISO 7/1 vessel	
FV40050	FRP 4 "300/450 psi 3/4" x 1/2 "NPT vessel cap	
FV40054	FRP O-ring for 4 "cap (90x5.3)	
FV40056	FRP Adapter M/F for cap 4 "(4021)	
FV40058	FRP 4 "stopper steel segment (4011)	
FV40060	FRP O-ring for 4 "cap (17x2.65)	
FV40062	FRP O-ring for M/F adapter for 4 "cap (19x2.65)	
FV40064	FRP Stainless steel band for vessel 4 "(4008)	
FV40066	FRP M8x60 screw for tie rod	
FV40068	FRP Saddle for vessel 4 "-4010	
FV40071	FRP Sealing plate vessel 1000PSI (4037T) and port	
FV40072	FRP O-ring (28.5x3.55) for feed connector 1000psi	
FV40074	FRP Lock ring for feed connector 1000psi -4039	
FV40076	FRP Connector feed/conc. (4038) vessel 4 "1000psi	
FV40078	FRP Spacer stopper cap 4036 vessel 4 "1000psi	
FV40080	FRP 4036 aluminium collar for 4 "1000psi vessel	
FV40082	FRP 4 "1000psi - 4024 stopper aluminium segment	
FV40084	FRP Permeate 4022 connector for 4 "1000 psi vessel	
FV40086	FRP Plug M12 for permeate connector 4013	
FV40088	FRP M6x10.3 screw for securing segments	
FV40090	FRP O-ring 25x2.65 for permeate connector	
FV40092	FRP Stainless steel band for vessel 4 "(4008.2)	
FV40094	FRP M6x25 screw for fastening vessel 4 "1000psi caps	
FV800050	FRP Seat and tie rod kit for VTR 8 "vessel	
FV800054	FRP O-Ring for Vessel Ropv 190 * 5.3	
FV800055	FRP O-Ring for Vessel Ropv 36.5 * 3.55	
FV800058	FRP O-Ring for Vessel Ropv 47.5 * 3.55	
FV800063	FRP O-Ring for Vessel Ropv 23.6 * 2.65	
FV800071	FRP O-Ring for Vessel Ropv 58 * 2.65	
FV800082	Permeate Plug A8006 1 "NPT M for End & Side Version	
FV800084	Permeate Union Adapter Kit 1 "BS & Metric Style	
FV800110	Thrust Ring A8011.2	
FV800112	Thrust Ring A8011.4	
FV800619	Thrust Ring A8011.1	
FV800620	Thrust Ring side port 600-1000-1200 A8011.3	
FV800010	Adapter for 8 "diaphragm type HYDRANAUTICS - 1.125"	
FV800011	Adapter for 8 "diaphragm type BW30LE440 - 1.5"	
FV800618	Adapter for 8 "type 1,125" SW membrane A8012.3	
FV800012	Adapter for 8 "dia. Type GE - 1,187"	
FV800014	Adapter for 8 "blind type membrane - 1.125"	
FV8000E	Vessel 8 "ROPV 300 psi end port complete kit cap	
FV80001S	Vessel 8 "ROPV 300 psi side port complete kit cap	
FV8001E	Complete vessel cap 8 "ROPV 450 psi end port kit cap	
FV80002S	Complete vessel 8 "ROPV 450 psi side port kit cap	
FV8003E	Complete vessel cap 8 "ROPV 1000 psi end port kit cap	
FV80004S	Vessel 8 "ROPV 1000 psi side port complete kit cap	

3. SS 316L VESSEL FOR MEMBRANES

FOR MEMBRANES 2"1/2

250 PSI MOPLEN CAPS

Code	Description	€
OI022600	SS 316L vessel for membrane 2514	
OI022610	SS 316L vessel for membrane 2521	
OI022620	SS 316L vessel for membrane 2540	



Code	n° elements	L (mm)	Ø (mm)	Feed connections	Concentrate connections	Permeate connections
OI022600	1	405	70	1/4" BSP F	1/4" BSP F	1/4" BSP F
OI022610	1	585	70	1/4" BSP F	1/4" BSP F	1/4" BSP F
OI022620	1	1070	70	1/4" BSP F	1/4" BSP F	1/4" BSP F

FOR MEMBRANES 4"

250 PSI MOPLEN CAPS

Code	Description	€
OI022110	SS 316L vessel for membrane 4021	
OI022120	SS 316L vessel 1 element for membrane 4040	
OI022130	SS 316L vessel 2 elements for membrane 4040	
OI022140	SS 316L vessel 3 elements for membrane 4040	
OI022150	SS 316L vessel 4 elements for membrane 4040	
OI022160	SS 316L vessel 5 elements for membrane 4040	



Code	n° elements	L (mm)	Ø (mm)	Feed connections	Concentrate connections	Permeate connections
OI022110	1	640	106	1/2" BSP F	1/2" BSP F	1/2" BSP F
OI022120	1	1085	106	1/2" BSP F	3/8" BSP F	1/2" BSP F
OI022130	2	2105	106	1/2" BSP F	3/8" BSP F	1/2" BSP F
OI022140	3	3125	106	1/2" BSP F	3/8" BSP F	1/2" BSP F
OI022150	4	4140	106	1/2" BSP F	3/8" BSP F	1/2" BSP F
OI022160	5	5155	106	1/2" BSP F	3/8" BSP F	1/2" BSP F

250 PSI MOULDED PLASTIC LOCKING CLAMP - MACHINED PLASTIC CAPS

Code	Description	€
OI022165	Vessel inox per membrane 4021	
OI022170	SS 316L vessel 1 element for membrane 4040	
OI022180	SS 316L vessel 2 elements for membrane 4040	



Code	n° elements	L (mm)	Ø (mm)	Feed connections	Concentrate connections	Permeate connections
OI022165	1	640	106	1/2" BSP F	1/2" BSP F	1/2" BSP F
OI022170	1	1085	106	1/2" BSP F	1/2" BSP F	1/2" BSP F
OI022180	2	2105	106	1/2" BSP F	1/2" BSP F	1/2" BSP F

600 PSI SS 316L CAPS

Code	Description	€
OI022109	SS 316L vessel 1 element for membrane 4021	
OI022220	SS 316L vessel 1 element for membrane 4040	
OI022230	SS 316L vessel 2 elements for membrane 4040	
OI022240	SS 316L vessel 3 elements for membrane 4040	



Code	n° elements	L (mm)	Ø (mm)	Feed connections	Concentrate connections	Permeate connections
OI022109	1	605	106	1/2" BSP F	1/2" BSP F	1/2" BSP F
OI022220	1	1088	106	1/2" BSP F	1/2" BSP F	1/2" BSP F
OI022230	2	2105	106	1/2" BSP F	1/2" BSP F	1/2" BSP F
OI022240	3	3122	106	1/2" BSP F	1/2" BSP F	1/2" BSP F

1000 PSI SIDE PORT 180° VICTAULIC

Code	Description	€
OI022320	SS 316L vessel 1 element for membrane 4040	
OI022330	SS 316L vessel 2 elements for membrane 4040	
OI022340	SS 316L vessel 3 elements for membrane 4040	



Code	n° elements	L (mm)	Feed connections	Concentrate connections
OI022320	1	1150	3/4" Vict.	3/4" Vict.
OI022330	2	2167	3/4" Vict.	3/4" Vict.
OI022340	3	3183	3/4" Vict.	3/4" Vict.

PER MEMBRANE DA 8"

400 PSI END PORT VICTAULIC 1" 1/2

Code	Description	€
OI022420	SS 316L vessel 1 element for membrane 8040	
OI022430	SS 316L vessel 2 element for membrane 8040	
OI022440	SS 316L vessel 3 element for membrane 8040	
OI022450	SS 316L vessel 4 element for membrane 8040	
OI022460	SS 316L vessel 5 element for membrane 8040	
OI022470	SS 316L vessel 6 element for membrane 8040	



Code	n° elements	L (mm)	Feed connections	Concentrate connections
OI022420	1	1190	1" 1/2 Vict.	1" 1/2 Vict.
OI022430	2	2210	1" 1/2 Vict.	1" 1/2 Vict.
OI022440	3	3230	1" 1/2 Vict.	1" 1/2 Vict.
OI022450	4	4240	1" 1/2 Vict.	1" 1/2 Vict.
OI022460	5	5260	1" 1/2 Vict.	1" 1/2 Vict.
OI022470	6	6275	1" 1/2 Vict.	1" 1/2 Vict.

400 PSI SIDE PORT VICTAULIC 1" 1/2

Code	Description	€
OI022520	SS 316L vessel 1 element for membrane 8040	
OI022530	SS 316L vessel 2 element for membrane 8040	
OI022540	SS 316L vessel 3 element for membrane 8040	
OI022550	SS 316L vessel 4 element for membrane 8040	
OI022560	SS 316L vessel 5 element for membrane 8040	
OI022570	SS 316L vessel 6 element for membrane 8040	



Code	n° elements	L (mm)	Feed connections	Concentrate connections
OI022520	1	1360	1" 1/2 Vict.	1" 1/2 Vict.
OI022530	2	2375	1" 1/2 Vict.	1" 1/2 Vict.
OI022540	3	3393	1" 1/2 Vict.	1" 1/2 Vict.
OI022550	4	4415	1" 1/2 Vict.	1" 1/2 Vict.
OI022560	5	5430	1" 1/2 Vict.	1" 1/2 Vict.
OI022570	6	6450	1" 1/2 Vict.	1" 1/2 Vict.

SPARES FOR VESSEL AISI 316L

FOR VESSEL 2"1/2

Code	Description	€
OI022111	2"½ PP complete cap with 1 hole o-ring	
OI022112	2"½ PP complete cap with 2 holes o-ring	
OI022113	2"½ O-ring 162 for cap	
OI022114	Permeated O-ring 3075 for 2"½ cap	
OI022115	2"½ Seeger Dacromet	

FOR VESSEL 4"

Code	Description	€
OI022118	4" PVC complete cap 1 hole for vessel 4003	
OI022119	4" PVC complete cap 2 holes for vessel 4004	
OI022121	4" PP complete cap with 1 hole o-ring	
OI022122	4" PP complete cap with 2 holes o-ring	
OI022123	O-ring 6362 for 4" cap	
OI022124	Permeated O-ring 3075 for 4" cap	
OI022125	Seeger Dacromet 4"	
OI022126	Guy-rope and seats Kit for 4" pressure vessel.	
OI022127	PP Filmttec membrane adapter cap for 4" 1000 PSI pressure	
OI022128	PP Filmttec interconnector.	
OI022129	4" stainless steel spiral ring.	
OI022131	4" stainless steel sectors.	
OI022132	M8x16 screws for 4" stainless steel sectors.	
OI022146	4" stainless steel cap complete of 1 hole o-ring	
OI022147	4" stainless steel cap complete of 2 holes o-ring	

FOR VESSEL 8"

Code	Description	€
OI022133	Guy-rope and seats Kit for 8" pressure vessels	
OI022134	Closing sectors Kit for 8" pressure vessels	
OI022135	M8x16 screws for 8" stainless steel sectors.	
OI022136	PP Filmttec membrane adapter cap for 8" pressure vessels	
OI022137	PP extension for 8" side port pressure vessels	
OI022138	PVC contrast ring for 8" end port pressure vessels	
OI022139	Stainless steel contrast ring for 8" end port pressure vessels	
OI022141	O-ring 235 for 8" cap	
OI022142	Permeated O-ring 4131 for 8" cap	
OI022143	O-ring 4125 for BW LE membrane adapter cap	
OI022144	O-ring 132 for BW 400 membrane adapter cap	
OI022145	8" stainless steel cap complete of o-ring	

4. VESSEL IN PLASTIC MATERIAL FOR MEMBRANES

VESSEL IN PLASTIC MATERIAL

FOR MEMBRANES 1812 150 PSI

Sold in packs of 20 pieces

Code	Description	€
OI022000	Plastic vessel for membranes 1812 150 psi	



FOR MEMBRANES 3012

Code	Description	€
OI022002	Plastic vessel for membranes 3012 100 psi	



OI022002/2	Plastic vessel for membranes 3012 ASPRING 150 psi	
------------	---	--



OI021830	Adaptor Ø21 x Ø17 for membrane shank 3"	
----------	---	--



FOR MEMBRANES 3013

Code	Description	€
OI022003	Plastic vessel for membranes 3013 100 psi	



FOR MEMBRANES 3208 & 3308

Code	Description	€
OI022005	Plastic vessel for Ametec 10" Blue 3/4 for membrane N/F N3208	







14

A decorative graphic consisting of several overlapping, curved bands in various shades of blue, ranging from light to dark, creating a sense of movement and depth.

IONIC EXCHANGE RESINS, FILTERING MEDIA AND CHEMICALS PRODUCTS

Exchange resins | Filter materials | Chemical products

1. EXCHANGER RESINS

PURESOF	371
STRONG CATION	371
MIXED BED	371
SELECTIVE FOR NITRATES	371
LANXESS	371
STRONG CATION	371
PUROLITE	372
STRONG CATIONIC RESIN	372
STRONG CATIONIC RESIN FOR DEMINERALIZATION	372
CARBOXYL RESIN	372
MIXED RESIN	372
WEAK ANIONIC RESIN FOR DEMINERALIZATION	372
STRONG ANIONIC RESIN FOR DEMINERALIZATION	372
SELECTIVE RESINS	372

2. FILTERING MATERIALS

FILTERING MATERIALS	373
ADSORBENT MATERIALS	373
CATALYST MATERIALS	373
REMINERALIZING MATERIALS	373

3. CHEMICALS

AVISTA PRODUCTS FOR MEMBRANES	374
ANTISCALANTS	374
BIOCIDES	376
CLEANER	377
AVISTA PRODUCTS FOR WATER TREATMENT	378
COAGULANTS	378
WATERLINE PRODUCTS FOR MEMBRANES	379
WATERLINE PRODUCTS FOR WATER TREATMENT	379

1. EXCHANGER RESINS



PURESOF

STRONG CATION

Code	Description	€
MF300060/cl	Strong cationic resin for softening PURESOF C107 FG	
MF300061/cl	Strong cationic resin for softening PURESOF PLUS C108 FG	
MF300030/cl	Macroporous strong cationic resin Na +	

MIXED BED

Code	Description	€
MF300081/cl	MB-3 VC Mixed bed resin with indicator	
MF300082/cl	MB 82 NVC MB-2 Mixed bed resin no color change	

SELECTIVE FOR NITRATES

Code	Description	€
MF300050/cl	Selective anionic resin for Nitrates NO3	

LANXESS

CATIONICA FORTE



Code	Description	€
MF300061	Strong monosphere cationic resin for softening Lewatit S1567, in 25 lt bags	

PUROLITE

STRONG CATIONIC RESIN



Code	Description	€
MF300060/p	Strong Acid Cation Gel Resin Purolite C100E	
MF300060/Ag	Strong Acid Cation Gel Resin Purolite C100E Ag	
MF300059	Strong Acid Cation Gel Shallow Shell™ Resin Purolite SST-60 for Ca Mg Fe Mn	
MF300030/p	Strong Acid Cation Macroporous Resin Purolite C150	
MF300063	Purolite C100EVC cationic resin with color change	
MF300061/p	Strong cationic resin Purolite PFC100E	

STRONG CATIONIC RESIN FOR DEMINERALIZATION

Code	Description	€
MF300060H+	Gel Strong Acid Cation Exchange Resin Purolite C100MBH	
MF300031/p	Macroporous Strong Acid Cation Exchange Resin Purolite C150MBH	

CARBOXYL RESIN

Code	Description	€
MF300034/p	Weak Acid Cation Exchange Resin Purolite C104 PLUS	
MF300035/P	Macroporous Weak Acid Cation Exchange Resin Purolite C107E/4752	

MIXED RESIN

Code	Description	€
MF300081	Mixed Bed Resin - Self Indicating Purolite MB400IND	
MF300082/p	Mixed Bed Resin Purolite MB400	

WEAK ANIONIC RESIN FOR DEMINERALIZATION

Code	Description	€
MF300041/p	Macroporous Weak Base Anion Exchange Resin Purolite A100	
MF300071/p	Macroporous Weak Base Anion Exchange Resin Purolite A103S	
MF300070/p	Macroporous Weak Base Anion Exchange Resin Purolite A103	

STRONG ANIONIC RESIN FOR DEMINERALIZATION

Code	Description	€
MF300040/P	Gel Type II Strong Base Anion Exchange Resin Purolite A200 (price	
MF300044/P	Gel Type II Strong Base Anion Exchange Resin Purolite A200MBOH	
MF300043/P	Macroporous strong anionic resin Purolite A500 type I	
MF300045/p	Strong macroporous anionic resin Purolite A510 type II	

SELECTIVE RESINS

Code	Description	€
MF300033/p	Boron Selective Anion Exchange Resin Purolite S108	
MF300036/p	Heavy metal selective Iminodiacetic Chelating Resin Purolite S930 PLUS	
MF300050/P	Nitrates selective Macroporous Strong Base Anion Exchange Resin Purolite A520E	
MF300055	Arsenic Removal Resin Purolite Ferrix 33	

2. FILTERING MATERIALS

FILTERING MATERIALS



Code	Description	€
MF300140	Anthracite for filtration - particle dimensions 0,8 x 1,2 - 25 Kg bag	
22950790	Sand for filtration - particle dimensions 0.4x0.8 - 25 kg bag	
22950797	Sand for filtration - particle dimensions 0.7x1.2 - 25 kg bag	
22950791	Sand for filtration - particle dimensions 1x3 - 25 kg bag	
22950792	Sand for filtration - particle dimensions 3x5 - 25 kg bag	
22950796	Silica gravel - particle dimensions 10x18 - 25 Kg bag	
MF300130	Silica gravel - particle dimensions 3,15 x 5,6 Norma DIN - 25 kg bag	
MF300011	Filter-Ag Plus - 28 lt bag	
22950795	Zelbrite active natural filtering material - 15 kg bag	

ADSORBENT MATERIALS

Code	Description	€
MF300000	Granular activated carbon 8 x 30 mesh - 25 kg bag (50 liters)	
MF300002	Granular activated mineral carbon 8 x 30 mesh - 25 kg bag (50 liters)	
MF300000A	Granular activated carbon 8 x 30 mesh with silver - 25 kg bag (50 liters)	

CATALYZING MATERIALS



Code	Description	€
MF300010	BIRM Iron removing catalytic material - 28 lt bag (kg. 20)	
MF300015	Manganese dioxide - 25 kg bag	
MF300020	Zeolite - Manganese Greensand/Greensand Plus - 28 lt bag	

REMINERALIZING MATERIALS

Code	Description	€
MF300185	WATER CALCIT – dolomite calcined in spheres - 25 kg. bag	

3. CHEMICALS

AVISTA PRODUCTS FOR MEMBRANES



ANTISCALANTS

PRODUCTS SELECTION FOR ANTISCALE/DISPERSING

PRODUCT NAME	EFFECTIVE AGAINST:							IRON	COLLOIDS AND SILT	SILICA	CC*
	SCALING										
	CaCO ₃	CaSO ₄	SrSO ₄	CaPO ₄	BaSO ₄	MgOH					
Vitec 1000	✓										
Vitec 2000	✓	✓	✓	✓	✓		✓	✓			
Vitec 3000	✓	✓	✓		✓			✓			✓
Vitec 4000	✓	✓	✓		✓		⊙	✓	⊙		
Vitec 5000	✓	✓	✓		✓			✓			✓
Vitec 5100	✓	✓	✓		✓			✓			✓
Vitec 7000	✓	⊙	✓		✓			✓			✓

CC*: Compatible with coagulante

Effective ✓

Optimal ⊙

APPLICATION	VITEC PRODUCTS SUITABLE FOR APPLICATIONS					
	2000	3000	4000	5000	5100	7000
WELL WATER	✓	✓		✓	✓	
OPEN SEA WATER		✓		✓	✓	
MUNICIPAL WATER		✓		✓	✓	
SURFACE BRACKISH WATER	✓	✓		✓	✓	
STREAMING THREATED	✓	✓		✓	✓	
WASTE WATER	✓	✓				
BRACKISH WATER OR SEA WATER WITH HIGH SILICA CONCENTRATION				✓		
WATER WITH HIGH SULFATE CONCENTRATION						✓
WATER WITH HIGH PH	✓					

VITEC 1000

Code	Description	€
MFAV10001	Antiscalant Avista Vitec 1000 - Package 250 Kg	
MFAV10002	Antiscalant Avista Vitec 1000 - Package 1250 Kg	

VITEC 2000

Code	Description	€
MFAV20001	Antiscalant Avista Vitec 2000 - Package 23 Kg	
MFAV20002	Antiscalant Avista Vitec 2000 - Package 230 Kg	
MFAV20003	Antiscalant Avista Vitec 2000 - Package 1100 Kg	

VITEC 3000

Code	Description	€
MFAV30001	Antiscalant Avista Vitec 3000 - Package 23 Kg	
MFAV30002	Antiscalant Avista Vitec 3000 - Package 230 Kg	
MFAV30003	Antiscalant Avista Vitec 3000 - Package 1100 Kg	

VITEC 4000

Code	Description	€
MFAV40001	Antiscalant Avista Vitec 4000 - Package 23 Kg	
MFAV40002	Antiscalant Avista Vitec 4000 - Package 230 Kg	
MFAV40003	Antiscalant Avista Vitec 4000 - Package 1100 Kg	

VITEC 5000

Code	Description	€
MFAV51001	Antiscalant Avista Vitec 5100 - Package 23 Kg	
MFAV51002	Antiscalant Avista Vitec 5100 - Package 230 Kg	
MFAV51003	Antiscalant Avista Vitec 5100 - Package 1100 Kg	

VITEC 7000

Code	Description	€
MFAV70001	Antiscalant Avista Vitec 7000 - Package 23 Kg	
MFAV70002	Antiscalant Avista Vitec 7000 - Package 230 Kg	
MFAV70003	Antiscalant Avista Vitec 7000 - Package 1100 Kg	

BIOCIDES

SELECTION OF BIOCIDES PRODUCT

PRODUCT NAME	EFFECTIVE AGAINST			METHOD OF USE		MEMBRANE COMPATIBILITY
	BACTERIS	FUNGI	ALGAE	CIP	CONTINUOUS USE	
RoCide® DB5	✓	✓	✓	✓		✓
RoCide® DB20	✓	✓	✓	✓		✓
RoCide® IS2	✓	✓	✓		✓	✓

ROcide DB5

Code	Description	€
MFABDB51	Biocide Avista ROcide DB5 - Package 20 Kg	
MFABDB52	Biocide Avista ROcide DB5 - Package 227 Kg	
MFABDB53	Biocide Avista ROcide DB5 - Package 1090 Kg	

ROcide DB20

Code	Description	€
MFABDB201	Biocide Avista ROcide DB20 - Package 20 Kg	
MFABDB202	Biocide Avista ROcide DB20 - Package 227 Kg	
MFABDB203	Biocide Avista ROcide DB20 - Package 1200 Kg	

ROcide IS2

Code	Description	€
MFABIS21	Biocide Avista ROcide IS2 - Package 25 Kg	
MFABIS22	Biocide Avista ROcide IS2 - Package 200 Kg	

ROcide LC

Code	Description	€
MFABLC1	Biocide Avista ROcide LC - Package 20 Kg	
MFABLC2	Biocide Avista ROcide LC - Package 200 Kg	

ROcide SC

Code	Description	€
MFABSC1	Biocide Avista ROcide SC - Package 20 Kg	

CLEANER

SELECTION OF CLEANING PRODUCTS

PRODUCT NAME	POLIAMMIDE MEMBRANE	CELLULOSE ACETATE MEMBRANE	PRODUCT NAME					
			METALS	SCALES		SILT	ORGANICS SUBSTANCE	
			Fe, Mn, Al	CaCO ₃	SO ₄	NON BIO	BIO	
RoClean L102	✓	✓						✓
RoClean L211	✓				✓	✓	✓	✓
RoClean L212	✓					⊙	✓	✓
RoClean L403	✓	✓	✓	✓				
RoClean L404	✓	✓	✓	✓				
RoClean L607		✓				✓	✓	✓
RoClean L811	✓				⊙			
RoClean P111	✓				✓	✓	✓	⊙
RoClean P112	✓					✓	✓	⊙
RoClean P303	✓	✓	✓	✓				
RoClean P507		✓				✓	✓	✓
RoClean P703	✓	✓	⊙					
RoClean P911	✓					⊙	✓	✓

Effective ✓
 Optimal ⊙

Cleaner

Code	Description	€
MFACL2111	Cleaner Liq Basic Avista L211 - package 20 Kg	
MFACL4031	Cleaner Liq Acid Avista L403 - package 20 Kg	
MFACL6071	Cleaner Liq Neut Avista L607 - package 20 Kg	
MFACL4041	Cleaner Liq Acid Avista L404 - package 20 Kg	
MFACP1111	Cleaner Powd Basic Avista P111 - package 20 Kg	
MFACP3031	Cleaner Powd Acid Avista P303 - package 20 Kg	
MFACP7031	Cleaner Powd Acid Avista P703 - package 20 Kg	
MFACP9111	Cleaner Powd Basic Avista P911 - package 20 Kg	
MFACL9111	Cleaner Liq Basic Avista L911 - package 20 Kg	
MFACL2121	Cleaner Liq Basic Avista L212 - package 20 Kg	
MFACP1121	Cleaner Powd Basic Avista P112 - package 20 Kg	
MFACL8111	Cleaner Liq Basic Avista L811 - package 20 Kg	

WATERLINE PRODUCTS FOR MEMBRANES



Antiscalant

Code	Description	€
MF300300	AF 300 RO Antiscaling product package 25 Kg	
MF300304	AF 100 RO Antiscaling product food-compatible certification package 25 Kg	
MF300305	AF 200 RO Antiscaling product package 25 Kg	
MF300314	AF 750 antiscalant productfor silica package 25 Kg	

Preservatives

Code	Description	€
MF300308	Water Conserve, Conservation product for membrane package 25 Kg	

WATERLINE PRODUCTS FOR WATER TREATMENT



Code	Description	€
MF300170	Potassium Permanganate - 25 Kg package	
MF300318	Bactericidal sanitizing Saniter LP 15 (indicated against Legionella pneumophila) - 25 Kg canister	
0502641	Deoxygenating anticorrosion product for boilers Vaporsan 522 - 25 Kg canister	
0502643	De alkalizing descaling product for boilers Polival GV - 25 Kg canister	
MF300100	Powder polyphosphate for batchers, 18 Kg box	
MF300112W	Medium polyphosphate crystals, 25 Kg bag	
MF300113	Medium polyphosphate crystals, 1 kg. bag	
20300200	Water Ipoclor L, Liquid sodium hypochlorite 13-16%, 30 Kg canister	
20300282	Water Polifos, Liquid sodium polyphosphate - 25 Kg canister	
20300283	Water Polifos, Liquid sodium polyphosphate - 10 Kg canister	



15



PLASTIC FITTINGS

John Guest plastic fittings

1. JOHN GUEST PLASTIC FITTINGS

PM CONNECTIONS SERIES MADE IN POLYPROPYLENE	385
STRAIGHT ADAPTOR BSPT THREAD	385
STRAIGHT ADAPTOR BSP THREAD	385
REDUCING STRAIGHT CONNECTOR	386
EQUAL ELBOW	386
EQUAL STRAIGHT CONNECTOR	386
REDUCING ELBOW CONNECTOR	386
STEM ELBOW	387
EQUAL TEE	387
REDUCER	387
REDUCING TEE	388
BULKHEAD CONNECTOR	388
STEM ADAPTOR BSPT THREAD	388
RIGID ELBOW	388
STEM ADAPTOR BSPT THREAD	389
TWO-WAY DIVIDER	389
TUBE TO HOSE STEM	389
FEMALE ADAPTOR	389
OFFSET CONNECTOR	390
PLUG	390
PI CONNECTIONS SERIES FOR IMPERIAL SIZE TUBES	391
STRAIGHT ADAPTOR BSPT THREAD	391
STRAIGHT ADAPTOR BSP THREAD	391
STRAIGHT ADAPTOR NPTF THREAD	391
STRAIGHT ADAPTOR BSW THREAD	392
STRAIGHT ADAPTOR MFL THREAD	392
EQUAL STRAIGHT CONNECTOR	392
REDUCING STRAIGHT CONNECTOR	392
EQUAL ELBOW	393
REDUCING ELBOW CONNECTOR	393
REDUCING TEE	393
STEM ELBOW	393
RIGID ELBOW NPTF THREAD	394

EQUAL TEE	394
FEMALE ADAPTOR BSP THREAD - FLAT END	394
FEMALE ADAPTOR BSP THREAD - CONE END	394
FEMALE ADAPTOR BSW BRITISH WHITWORTH THREAD	394
FEMALE ADAPTOR UNS THREAD	395
FEMALE ADAPTOR NPTF THREAD	395
FEMALE ADAPTOR FFL THREAD	395
FEMALE ADAPTOR BSP THREAD	395
TAP ADAPTOR UNS THREAD	395
THREE-WAY DIVIDER	396
TWO-WAY DIVIDER	396
REDUCING TWO-WAY DIVIDER	396
BULKHEAD CONNECTOR	396
REDUCING BULKHEAD CONNECTOR	396
STEM ADAPTOR BSPT THREAD	397
STEM ADAPTOR BSP THREAD	397
STEM ADAPTOR NPT THREAD	397
STEM ADAPTOR BSW THREAD	397
TUBE TO HOSE STEM	398
TUBE TO HOSE ELBOW	398
ENLARGER	398
STEM REDUCER	398
CROSS	399
DISPENSING VALVE ELBOW	399
DISPENSING VALVE STEM	399
OFFSET CONNECTOR	399
U-BEND	399
PLUG	400
END STOP	400
REGULATOR	401
FLOW REGULATOR	401
FLOW REGULATOR WITH KNOB	401
ACCESSORIES	402
ADAPTOR	402
INTERMEDIATE BALL VALVE	402

NO RETURN VALVE	402
FLOW BEND CLIP	402
COLLET LOCKING TOOL	402
LOCKING CLIP	402
COLLET COVERS	403
TUBE INSERT	403
TUBE CUTTER	403

1. JOHN GUEST PLASTIC FITTINGS

PM CONNECTIONS SERIES MADE IN POLYPROPYLENE

All items are sold in the original packaging with the original quantity present in the packaging.

STRAIGHT ADAPTOR BSPT THREAD

Code	Pipe Ø(mm)	Thread	€
PM010401E	4	1/8"	
PM010402E	4	1/4"	
PM010601E	6	1/8"	
PM010602E	6	1/4"	
PM010801E	8	1/8"	
PM010802E	8	1/4"	
PM010803E	8	3/8"	
PM011002E	10	1/4"	
PM011003E	10	3/8"	
PM011004E	10	1/2"	
PM011203E	12	3/8"	
PM011204E	12	1/2"	



STRAIGHT ADAPTOR BSP THREAD

Code	Pipe Ø(mm)	Thread	€
PM010411E	4	1/8"	
PM010412E	4	1/4"	
PM010611E	6	1/8"	
PM010612E	6	1/4"	
PM010811E	8	1/8"	
PM010812E	8	1/4"	
PM010813E	8	3/8"	
PM011012E	10	1/4"	
PM011013E	10	3/8"	
PM011014E	10	1/2"	
PM011213E	12	3/8"	
PM011214E	12	1/2"	
PM011514E	15	1/2"	
PM011516E	15	3/4"	
PM011814E	18	1/2"	
PM012216E	22	3/4"	



REDUCING STRAIGHT CONNECTOR

Code	Pipe Ø(mm)	Pipe Ø(mm)	€
PM200604E	4	6	
PM200804E	4	8	
PM200806E	6	8	
PM201004E	4	10	
PM201006E	6	10	
PM201008E	8	10	
PM201208E	8	12	
PM201210E	10	12	



EQUAL ELBOW

Code	Pipe Ø(mm)	€
PM0304E	4	
PM0306E	6	
PM0308E	8	
PM0310E	10	
PM0312E	12	
PM0315E	15	
PM0318E	18	
PM0322E	22	
PM0328E	28	



EQUAL STRAIGHT CONNECTOR

Code	Pipe Ø(mm)	€
PM0404E	4	
PM0406E	6	
PM0408E	8	
PM0410E	10	
PM0412E	12	
PM0415E	15	
PM0418E	18	
PM0422E	22	
PM0428E	28	



REDUCING ELBOW CONNECTOR

Code	Pipe Ø(mm)	Pipe Ø(mm)	€
PM210604E	4	6	
PM210804E	4	8	
PM210806E	6	8	
PM211004E	4	10	
PM211006E	6	10	
PM211008E	8	10	
PM211208E	8	12	
PM211210E	10	12	



STEM ELBOW

Code	Pipe Ø(mm)	Stem Ø(mm)	€
PM220404E	4	4	
PM220606E	6	6	
PM220808E	8	8	
PM221010E	10	10	
PM221212E	12	12	
PM221515E	15	15	
PM221818E	18	18	
PM222222E	22	22	



EQUAL TEE

Code	Pipe Ø(mm)	€
PM0204E	4	
PM0206E	6	
PM0208E	8	
PM0210E	10	
PM0212E	12	
PM0215E	15	
PM0218E	18	
PM0222E	22	
PM0228E	28	



REDUCER

Code	Stem Ø(mm)	Pipe Ø(mm)	€
PM060604E	6	4	
PM060605E	6	5	
PM060804E	8	4	
PM060805E	8	5	
PM060806E	8	6	
PM061006E	10	6	
PM061008E	10	8	
PM061208E	12	8	
PM061210E	12	10	
PM061510E	15	10	
PM061512E	15	12	
PM061815E	18	15	
PM062215E	22	15	
PM062218E	22	18	



REDUCING TEE

Code	Lateral pipe Ø(mm)	Central pipe Ø	€
PM3018AE	18	15	
PM3022AE	22	15	



BULKHEAD CONNECTOR

Code	Pipe Ø(mm)	€
PM1204E	4	
PM1206E	6	
PM1208E	8	
PM1210E	10	
PM1212E	12	



STEM ADAPTOR BSPT THREAD

Code	Stem Ø(mm)	Thread	€
PM050411E	4	1/8"	
PM050412E	4	1/4"	
PM050611E	6	1/8"	
PM050612E	6	1/4"	
PM050811E	8	1/8"	
PM050812E	8	1/4"	
PM050813E	8	3/8"	
PM051012E	10	1/4"	
PM051013E	10	3/8"	
PM051014E	10	1/2"	
PM051213E	12	3/8"	
PM051214E	12	1/2"	
PM051513E	15	3/8"	
PM051514E	15	1/2"	
PM051814E	18	1/2"	
PM052214E	22	1/2"	
PM052216E	22	3/4"	



RIGID ELBOW

Code	Thread	Pipe Ø(mm)	€
PM480621E	1/8"	6	
PM480622E	1/4"	6	
PM480623E	3/8"	6	



STEM ADAPTOR BSPT THREAD

Code	Stem Ø(mm)	Thread	€
PM050401E	4	1/8"	
PM050601E	6	1/8"	
PM050801E	8	1/8"	
PM051002E	10	1/4"	
PM051003E	10	3/8"	
PM051004E	10	1/2"	
PM051203E	12	3/8"	
PM051204E	12	1/2"	



TWO-WAY DIVIDER

Code	Pipe Ø(mm)	€
PM2304E	4	
RM2306E	6	
RM2308E	8	
PM2310E	10	
RM2312E	12	



TUBE TO HOSE STEM

Code	Stem Ø(mm)	Internal pipe Ø(mm)	€
PM250604E	6	4	
PM250806E	8	6	
PM251008E	10	8	



FEMALE ADAPTOR

Code	Stem Ø(mm)	Thread	€
PM450411E	4	1/8" BSP	
PM450611E	6	1/8" BSP	
PM450612E	6	1/4" BSP	
PM450812E	8	1/4" BSP	
PM450813E	8	3/8" BSP	
PM4508C5S	5/16"	1/2"-16 UNS	
PM4508F4S	5/16"	1/4" NPTF	
PM451015FE	10	5/8" BSP	



OFFSET CONNECTOR

Code	Pipe Ø(mm)	€
------	------------	---

NC657	8	
-------	---	--



PLUG

Code	Stem Ø(mm)	€
------	------------	---

PM0804R	4	
PM0805R	5	
PM0806R	6	
PM0808R	8	
PM0810R	10	
PM0812R	12	
PM0815R	15	
PM0818R	18	
PM0822R	22	



PI CONNECTIONS SERIES FOR IMPERIAL SIZE TUBES

All items are sold in the original packaging with the original quantity present in the packaging.

STRAIGHT ADAPTOR BSPT THREAD

Code	Pipe Ø	Thread	€
PM010401S	5/32"	1/8"	
PM010402S	5/32"	1/4"	
PI010601S	3/16"	1/8"	
PI010602S	3/16"	1/4"	
PI010801S	1/4"	1/8"	
PI010802S	1/4"	1/4"	
PM010801S	5/16"	1/8"	
PM010802S	5/16"	1/4"	
PM010803S	5/16"	3/8"	
PI011202S	3/8"	1/4"	
PI011203S	3/8"	3/8"	
PI011603S	1/2"	3/8"	
PI011604S	1/2"	1/2"	



STRAIGHT ADAPTOR BSP THREAD

Code	Pipe Ø	Thread	€
PI010812S	1/4"	1/4"	
NCPI011212S	3/8"	1/4"	
PI011212S	3/8"	1/4"	



STRAIGHT ADAPTOR NPTF THREAD

Code	Pipe Ø	Thread	€
PI010621S	3/16"	1/8"	
PI010821S	1/4"	1/8"	
PI010822S	1/4"	1/4"	
PI010823S	1/4"	3/8"	
PI011221S	3/8"	1/8"	
PI011222S	3/8"	1/4"	
PI011223S	3/8"	3/8"	
PI011224S	3/8"	1/2"	
PI011623S	1/2"	3/8"	
PI011624S	1/2"	1/2"	
PM010421S	5/32"	1/8"	
PM010422S	5/32"	1/4"	
PM010821S	5/16"	1/8"	
PM010822S	5/16"	1/4"	
PM010823S	5/16"	3/8"	



STRAIGHT ADAPTOR BSW THREAD

Code	Pipe Ø	Thread	€
PI0106E3S	3/16"	3/8"-24	
PI0106E5S	3/16"	1/2"-24	
PI0106E6S	3/16"	9/16"-24	
PI0108E5S	1/4"	1/2"-24	
PI0108E6S	1/4"	9/16"-24	
PM0108E5S	5/16"	1/2"-24	
PM0108E6S	5/16"	9/16"-24	
PI0112E5S	3/8"	1/2"-24	
PI0112E6S	3/8"	9/16"-24	



STRAIGHT ADAPTOR MFL THREAD

Code	Pipe Ø	Thread	€
PI0108F4S	1/4"	1/4"	
PI0112C5S	3/8"	1/2"-16	
PI0112F4S	3/8"	1/4"	
PI0112F5S	3/8"	5/16"	
PI0112F6S	3/8"	3/8"	
PI0112F8S	3/8"	1/2"	
PI0116F8S	1/2"	1/2"	
PM0108C5S	5/16"	1/2"-16	
PM0108F5S	5/16"	5/16"	



EQUAL STRAIGHT CONNECTOR

Code	Pipe Ø	€
PM0404S	5/32"	
PI0406S	3/16"	
PI0408S	1/4"	
PM0408S	5/16"	
PI0412S	3/8"	
PI0416S	1/2"	



REDUCING STRAIGHT CONNECTOR

Code	Pipe Ø	Pipe Ø	€
PI200806S	1/4"	3/16"	
PI201006S	5/16"	3/16"	
PI201008S	5/16"	1/4"	
PI201206S	3/8"	3/16"	
PI201208S	3/8"	1/4"	
PI201210S	3/8"	5/16"	
PI201610S	1/2"	5/16"	
PI201612S	1/2"	3/8"	



EQUAL ELBOW

Code	Pipe Ø	€
PM0304S	5/32"	
PI0306S	5/16"	
PI0308S	1/4"	
PM0308S	5/16"	
PI0312S	3/8"	
PI0316S	1/2"	



REDUCING ELBOW CONNECTOR

Code	Pipe Ø	Pipe Ø	€
PM210804S	5/16"	5/32"	
PI211006S	5/16"	3/16"	
PI211008S	5/16"	1/4"	
PI211206S	3/8"	3/16"	
PI211208S	3/8"	1/4"	
PI211210S	3/8"	5/16"	
PI211610S	1/2"	5/16"	
PI211612S	1/2"	3/8"	



REDUCING TEE

Code	Lateral pipe Ø (inch)	Central pipe Ø	€
PI301208S	3/8"	3/8"	
PI301612S	1/2"	1/2"	



STEM ELBOW

Code	Pipe Ø	Stem Ø	€
PI220606S	3/16"	3/16"	
PI220808S	1/4"	1/4"	
PM220808S	5/16"	5/16"	
PI221206S	3/16"	3/8"	
PI221208S	1/4"	3/8"	
PI221210S	3/16"	3/8"	
PI221212S	3/8"	3/8"	
PI221616S	1/2"	1/2"	



RIGID ELBOW NPTF THREAD

Code	Pipe Ø	Thread	€
PI480821S	1/4"	1/8"	
PI480822S	1/4"	1/4"	
PI480823S	1/4"	3/8"	
PI481022S	5/16"	1/4"	
PI481023S	5/16"	3/8"	
PI481222S	3/8"	1/4"	
PI481223S	3/8"	3/8"	
PI482024S	3/8"	3/8"	



EQUAL TEE

Code	Pipe Ø	€
PM0204S	5/32"	
PI0206S	3/16"	
PI0208S	1/4"	
PM0208S	5/16"	
PI0212S	3/8"	
PI0216S	1/2"	



FEMALE ADAPTOR BSP THREAD - FLAT END

Code	Pipe Ø	Thread	€
PI451014FS	5/16"	1/2"	
PI451015FS	5/16"	5/8"	
PI451213S	3/8"	3/8"	
PI451214FS	3/8"	1/2"	
PI451215FS	3/8"	5/8"	
PI451613S	1/2"	3/8"	
PI451615FS	1/2"	5/8"	



FEMALE ADAPTOR BSP THREAD - CONE END

Code	Pipe Ø	Thread	€
PI451014CS	5/16"	1/2"	
PI451015CS	5/16"	5/8"	
PI451214CS	3/8"	1/2"	
PI451215CS	3/8"	5/8"	



FEMALE ADAPTOR BSW BRITISH WHITWORTH THREAD

Code	Pipe Ø	Thread	€
PI4512E6S	3/8"	9/16"-24	
PM4508E5S	5/16"	1/2"-24	



FEMALE ADAPTOR UNS THREAD

Code	Pipe Ø	Thread	€
PI4512C5S	3/8"	1/2"-16	
PI4516C5S	1/2"	1/2"-16	



FEMALE ADAPTOR NPTF THREAD

Code	Pipe Ø	Thread	€
PI450822S	1/4"	1/4"	
PI451222S	3/8"	1/4"	



FEMALE ADAPTOR FFL THREAD

Code	Pipe Ø	Thread	€
PI4512F4S	3/8"	1/4"	
PI4512F6S	3/8"	3/8"	



FEMALE ADAPTOR BSP THREAD

Code	Pipe Ø	Thread	€
CI320814S	1/4"	1/2"	
CI321214S	3/8"	1/2"	



TAP ADAPTOR UNS THREAD

Code	Pipe Ø	Thread	€
CI3208U7S	1/4"	7/16"-24	
CI3210U7S	5/16"	7/16"-24	
CI3212U7S	3/8"	7/16"-24	



THREE-WAY DIVIDER

Code	Pipe inlet	Exit pipe	€
PI491612S	1/2"	3/8"	



TWO-WAY DIVIDER

Code	Pipe Ø	€
PM2308S	5/16"	
PI2312S	3/8"	



REDUCING TWO-WAY DIVIDER

Code	Pipe inlet	Exit pipe	€
PI241210S	3/8"	5/16"	



BULKHEAD CONNECTOR

Code	Pipe Ø	€
PM1204S	5/32"	
PI1206S	3/16"	
PI1208S	1/4"	
PM1208S	5/16"	
PI1212S	3/8"	
PI1216S	1/2"	



REDUCING BULKHEAD CONNECTOR

Code	Pipe Ø	Pipe Ø	€
PI121208S	1/4"	3/8"	



STEM ADAPTOR BSPT THREAD

Code	Stem Ø	Thread	€
PM050401S	5/32"	1/8"	
PM050402S	5/32"	1/4"	
PI050601S	3/16"	1/8"	
PI050801S	1/4"	1/8"	
PI050802S	1/4"	1/4"	
PM050801S	5/16"	1/8"	
PM050802S	5/16"	1/4"	
PM050803S	5/16"	3/8"	
PI051202S	3/8"	1/4"	
PI051203S	3/8"	3/8"	
PI051603S	1/2"	3/8"	
PI051604S	1/2"	1/2"	



STEM ADAPTOR BSP THREAD

Code	Stem Ø	Thread	€
PI051212S	3/8"	1/4"	
PI051213S	3/8"	3/8"	
PM050812S	5/16"	1/4"	



STEM ADAPTOR NPT THREAD

Code	Thread	Stem Ø	€
PM050821S	1/8"	5/16"	
PM050421S	1/8"	5/32"	
PI050621S	1/8"	3/16"	
PI050821S	1/8"	1/4"	
PI050822S	1/4"	1/4"	
PM050422S	1/4"	5/32"	
PI051222S	1/4"	3/8"	
PM050822S	1/4"	5/16"	
PI050823S	3/8"	1/4"	
PI051223S	3/8"	3/8"	
PI051623S	3/8"	1/2"	
PM050823S	3/8"	5/16"	
PI051624S	1/2"	1/2"	



STEM ADAPTOR BSW THREAD

Code	Stem Ø	Thread	€
PI0508E5S	1/4"	.1/2"-24	
PI0508E6S	1/4"	9/16"-24	
PM0508E5S	5/16"	.1/2"-24	
PM0508E6S	5/16"	9/16"-24	
PI0512E5S	3/8"	.1/2"-24	
PI0512E6S	3/8"	9/16"-24	



TUBE TO HOSE STEM

Code	Stem Ø	Internal pipe Ø	€
PI250806S	1/4"	3/16"	
PI250808S	1/4"	1/4"	
PI250810S	1/4"	5/16"	
PI251006S	5/16"	3/16"	
PI251008S	5/16"	1/4"	
PI251012S	5/16"	3/8"	
PM250808S	5/16"	5/16"	
PI251208S	3/8"	1/4"	
PI251210S	3/8"	5/16"	
PI251212S	3/8"	3/8"	
PI251216S	3/8"	1/2"	
PI251612S	1/2"	3/8"	
PI251616S	1/2"	1/2"	



TUBE TO HOSE ELBOW

Code	Pipe Ø	Stem Ø	€
PM290808S	5/16"	5/16"	
PI290810S	5/16"	1/4"	
PI291210S	5/16"	3/8"	
PI291008S	1/4"	5/16"	
PI290808S	1/4"	1/4"	
PI291208S	1/4"	3/8"	



ENLARGER

Code	Pipe Ø	Stem Ø	€
PI131012S	3/8"	5/16"	



STEM REDUCER

Code	Pipe Ø	Stem Ø	€
PI060605S	5/32"	3/16"	
PI061006S	3/16"	5/16"	
PI061008S	1/4"	5/16"	
PI061206S	3/16"	3/8"	
PI061208S	1/4"	3/8"	
PI061210S	5/16"	3/8"	
PI061610S	5/16"	1/2"	
PI061612S	3/8"	1/2"	



CROSS

Code	Pipe Ø	€
PI4712S	3/8"	



DISPENSING VALVE ELBOW

Code	Pipe Ø	€
NC356-02	3/8"	



DISPENSING VALVE STEM

Code	Stem Ø	€
NC730-02	3/8"	



OFFSET CONNECTOR

Code	Pipe Ø	Pipe Ø	€
NC641	1/2"	5/16"	



U-BEND

Code	Pipe Ø	€
PIUB12S	3/8"	
PIUB16S	1/2"	



PLUG

Code	Pipe Ø	€
PM0804S	5/32"	
PI0806S	3/16"	
PI0808S	1/4"	
PM0808S	5/16"	
PI0812S	3/8"	
PI0816S	1/2"	



END STOP

Code	Pipe Ø	€
PI4608S	1/4"	
PI4612S	3/8"	



REGULATOR

All items are sold in the original packaging with the original quantity present in the packaging.

FLOW REGULATOR

Code	Pipe Ø	Thread	€
BFC360611E	6 mm	1/8"	



FLOW REGULATOR WITH KNOB

Code	Pipe Ø	Thread	€
CFM360411E	4 mm	1/8"	
CFM360611E	6 mm	1/8"	
CFM360612E	6 mm	1/4"	
CFM360812E	8 mm	1/4"	



ACCESSORIES

All items are sold in the original packaging with the original quantity present in the packaging.

ADAPTOR

Code	Description	Pipe Ø	€
NC688	3/4 Female	1/4 Female	
AFAN1009FM	3/4 Female	10	



INTERMEDIATE BALL VALVE

Code	Description	€
PPMSV040606W	Intermediate ball valve for drinking water 6 mm tube	
PPMSV040808W	Intermediate ball valve for drinking water 8 mm tube	
PPMSV041010W	Intermediate ball valve for drinking water 10 mm tube	
PPSV040808W	Intermediate ball valve for drinking water 1/4" tube	
PPSV041212W	Intermediate ball valve for drinking water 3/8" tube	



NO RETURN VALVE

Code	Description	€
1/4SCV	1/4"	
5/16SCV	5/16"	
3/8SCV	3/8"	
6SCV	6	



FLOW BEND CLIP

Code	Description	€
PM2608S	8	
PM2610S	10	



COLLET LOCKING TOOL

Code	Description	€
ICLT/2		



LOCKING CLIP

These items are sold in packs of 100 pieces.

Code	Description	€
PM1804R	4	
PM1806R	6	
PM1808R	8	
PM1810R	10	
PIC1808R	1/4"	
PIC1812R	3/8"	



COLLET COVERS

Code	Description	€
PM1904E	4 mm	
PM1905E	5 mm	
PM1906E	6 mm	
PM1908E	8 mm	
PM1910E	10 mm	
PM1912E	12 mm	



TUBE INSERT

Code	Description	Internal pipe Ø	External pipe Ø	€
TSI250S	1/4"		5/16"	
TSI312S	5/16"		3/8"	
TSI375S	3/8"		1/2"	

TUBE CUTTER

Code	Description	€
JG-TS	Pipe cutter up to 22 mm	
TSNIP	Tube cutter up to 12 mm	





16



WATER SOFTENERS AND COLUMN FILTERS IN PRE-ASSEMBLED KIT

Cabinet water softeners | Standard cabinets | Optional cabinet | Water softeners dimensions

1. VOLUMETRIC WATER SOFTENER CABINET WITH CANATURE VALVE

VOLUMETRIC WATER SOFTENERS CABINET CS8H	408
VOLUMETRIC WATER SOFTENERS CABINET CS6H	408
VOLUMETRIC WATER SOFTENERS CABINET CS10H	408
VOLUMETRIC DOUBLE BODY SOFTENERS WITH CANATURE VALVE	408

2. VOLUMETRIC WATER SOFTENERS CABINET WITH RUNXIN VALVE 409

3. CABINET WATER SOFTENERS WITH CLACK VALVE

TIMER WATER SOFTENERS CABINET WITH CT CLACK VALVE	410
VOLUMETRIC WATER SOFTENERS CABINET WITH CI CLACK VALVE	410
VOLUMETRIC WATER SOFTENER CABINET ECO PRO UF WITH CM VALVE	410
TIMER DOUBLE BODY SOFTENERS WITH CLACK TC/CI VALVE	410
VOLUMETRIC DOUBLE BODY SOFTENERS WITH CLACK CI VALVE	411
DUPLEX SOFTENERS WITH CLACK VTT1 CI TWIN VALVE	411

4. CABINET WATER SOFTENERS WITH FLECK VALVE

TIMER WATER SOFTENERS CABINET WITH FLECK VALVE	412
VOLUMETRIC WATER SOFTENERS CABINET WITH FLECK VALVE	412
TIMER DOUBLE BODY SOFTENERS WITH FLECK VALVE	413
VOLUMETRIC DOUBLE BODY SOFTENERS WITH CLACK CI VALVE	414
ELECTRONIC DUPLEX SOFTENERS WITH FLECK VALVE	415

5. WATER SOFTENERS WITH AUTOTROL VALVE

TIMER WATER SOFTENERS CABINET WITH AUTOTROL 740 VALVE	416
VOLUMETRIC WATER SOFTENERS CABINET WITH AUTOTROL 760 VALVE	416
TIMER DOUBLE BODY SOFTENERS WITH AUTOTROL 740 VALVE	416
VOLUMETRIC DOUBLE BODY SOFTENERS WITH AUTOTROL 760 VALVE	416

6. FILTRATION - DECLORATION - DEIRONING

MANUAL GRANULAR ACTIVATED CARBON FILTERS	417
MANUAL SAND FILTERS	417
AUTOMATIC GRANULAR ACTIVATED CARBON FILTERS	417
AUTOMATIC SAND FILTERS	417
BIRM-DEIRONING FILTERS	418
ZEOLITE DEIRONING FILTERS	418

7. STANDARD CABINETS

BINGO	419
UNDER	419
MICRO	419

MINI EU	419
MAXI EU	419

8. OPTIONAL CABINETS

PEARL	420
WL10	420
CLACK CWS	420
DIAMANTE	421
EVOLUTION OPEN	421

9. TACHNICAL TABLES

WATER SOFTENING TECHNICAL CHARACTERISTICS	421
DOUBLE BODY SOFTENERS DIMENSION	422
DUPLEX SOFTENER DIMENSION	422
FILTERS TECHNICAL CHARACTERISTICS	423

1. VOLUMETRIC WATER SOFTENER CABINET WITH CANATURE VALVE

VOLUMETRIC WATER SOFTENERS CABINET CS8H

Code	Description	€
01CS8H0713	Automatic volumetric softener CS8H CANATURE BNT865 1" 5 lt	
01CS8H0722	Automatic volumetric softener CS8H CANATURE BNT865 1" 9 lt	
01CS8H0735	Automatic volumetric softener CS8H CANATURE BNT865 1" 15 lt	

Dimensions mm	L	P	H
01CS8H0713	200	360	490
01CS8H0722	200	360	700
01CS8H0735	200	360	1060



VOLUMETRIC WATER SOFTENERS CABINET CS6H

Code	Description	€
01CS6H0817	Automatic volumetric softener CS6H CANATURE BNT865 1" 8 lt	
01CS6H1017	Automatic volumetric softener CS6H CANATURE BNT865 1" 12 lt	
01CS6H1026	Automatic volumetric softener CS6H CANATURE BNT865 1" 20 lt	
01CS6H0835	Automatic volumetric softener CS6H CANATURE BNT865 1" 20 lt	
01CS6H1035	Automatic volumetric softener CS6H CANATURE BNT865 1" 25 lt	

Dimensions mm	L	P	H
01CS6H0817	335	505	575
01CS6H1017	335	505	575
01CS6H1026	335	505	810
01CS6H0835	335	505	1035
01CS6H1035	335	505	1035



VOLUMETRIC WATER SOFTENERS CABINET CS10H

Code	Description	€
01CS10H0817	Automatic volumetric softener CS10H slide CANATURE BNT865 1" 8 lt	
01CS10H1017	Automatic volumetric softener CS10H slide CANATURE BNT865 1" 12 lt	
01CS10H0835	Automatic volumetric softener CS10H slide CANATURE BNT865 1" 20 lt	
01CS10H1035	Automatic volumetric softener CS10H slide CANATURE BNT865 1" 25 lt	

Dimensions mm	L	P	H
01CS10H0817	350	500	660
01CS10H1017	350	500	660
01CS10H0835	350	500	1110
01CS10H1035	350	500	1110



VOLUMETRIC DOUBLE BODY SOFTENERS WITH CANATURE VALVE

Code	Description	€
0100341	Automatic volumetric softener CAN185 1" 15 lt d.b.	
0100841	Automatic volumetric softener CAN185 1" 20 lt d.b.	
0100941	Automatic volumetric softener CAN185 1" 25 lt d.b.0101141	
0101141	Automatic volumetric softener CAN185 1" 50 lt d.b.	
0101241	Automatic volumetric softener CAN185 1" 75 lt d.b.euro listino	

2. VOLUMETRIC WATER SOFTENERS CABINET WITH RUNXIN VALVE

Code	Description	€
01RA1000H	Automatic volumetric softener mini RA RX F79B-LCD/F70DL 12,5 lt	
01RA1500H	Automatic volumetric softener maxi RA RX F79B-LCD/F70DL 28 lt	



0100114	Automatic volumetric softener RUNXIN F79 1" 4lt. CAB BINGO
0100112	Automatic volumetric softener RUNXIN F79 1" 4lt. CAB MICRO
0100212	Automatic volumetric softener RUNXIN F79 1" 8 lt CAB MINI EU
0100213	Automatic volumetric softener RUNXIN F79 1" 12,5 lt CAB MAXI EU
0100312	Automatic volumetric softener RUNXIN F79 1" 15 lt CAB MAXI EU
0100412	Automatic volumetric softener RUNXIN F79 1" 20 lt CAB MAXI EU
0100512	Automatic volumetric softener RUNXIN F79 1" 25 lt. CAB MAXI EU



Dimensions mm	L	P	H
0100114	280	485	520
0100112	200	360	560
0100212	320	480	655
0100213	320	480	1120
0100312	320	480	1120
0100412	320	480	1120
0100512	320	480	1120

3. CABINET WATER SOFTENERS WITH CLACK VALVE

TIMER WATER SOFTENERS CABINET WITH CT CLACK VALVE

Code	Description	€
0100146	Automatic timed softener CT 1" 4lt CAB BINGO	
0100145	Automatic timed softener CT 1" 4lt CAB UNDER	
0100285	Automatic timed softener CT 1" 8lt CAB MINI EU	
0100385	Automatic timed softener CT 1" 15 lt. CAB MAXI EU	
0100485	Automatic timed softener CT 1" 20 lt. CAB MAXI EU	
0100585	Automatic timed softener CT 1" 25 lt. CAB MAXI EU	
0103585	Automatic timed softener CT 1" 30 lt CAB. MAXI DIAMANTE	



VOLUMETRIC WATER SOFTENERS CABINET WITH CI CLACK VALVE

Code	Description	€
0100141	Automatic volumetric softener CV 1" 4lt CAB. BINGO	
0100140	Automatic volumetric softener CV 1" 4lt CAB. UNDER	
0100290	Automatic volumetric softener CV 1" 8 lt CAB MINI EU	
0100390	Automatic volumetric softener CV 1" 15 lt. CAB MAXI EU	
0100490	Automatic volumetric softener CV 1" 20 lt. CAB MAXI EU	
0100590	Automatic volumetric softener CV 1" 25 lt. CAB MAXI EU	
0103590	Automatic volumetric softener CV 1" 30 lt CAB. MAXI DIAMANTE	



VOLUMETRIC WATER SOFTENER CABINET ECO PRO UF WITH CM VALVE

Code	Description	€
0100290CM/2	Automatic volumetric softener ECO PRO UF CM 3/4" 10 lt. CAB. MINI CVS	
0100291CM/2	Automatic volumetric softener ECO PRO UF CM 3/4" 15 lt. CAB. MINI CVS	
0100390CM/2	Automatic volumetric softener ECO PRO UF CM 3/4" 15 lt. CAB. MAXI CVS	
0100490CM/2	Automatic volumetric softener ECO PRO UF CM 3/4" 20 lt. CAB. MAXI CVS	
0100590CM/2	Automatic volumetric softener ECO PRO UF CM 3/4" 25 lt. CAB. MAXI CVS	
0103590CM/2	Automatic volumetric softener ECO PRO UF CM 3/4" 30 lt. CAB. MAXI CVS	
0103591CM/2	Automatic volumetric softener ECO PRO UF CM 3/4" 40 lt. CAB. MAXI CVS	



TIMER DOUBLE BODY SOFTENERS WITH CLACK TC/CI VALVE

Code	Description	€
0100685	Automatic timed softener CT 1" 8 lt d.c.	
0100785	Automatic timed softener CT 1" 15 lt d.c.	
0100885	Automatic timed softener CT 1" 20 lt d.c.	
0100985	Automatic timed softener CT 1" 25 lt d.c.	
0101085	Automatic timed softener CT 1" 40 lt d.c.	
0101185	Automatic timed softener CT 1" 50 lt d.c.	
0101285	Automatic timed softener CT 1" 75 lt d.c.	
0101425	Automatic timed softener CT 1" 100 lt d.c.	
0101435	Automatic timed softener CT 1"1/2 100 lt d.c.	
0101525	Automatic timed softener CT 1" 125 lt d.c.	
0101625	Automatic timed softener CT 1" 150 lt d.c.	
0101825	Automatic timed softener CT 1" 200 lt d.c.	
0101535	Automatic timed softener CT 1"1/2 125 lt d.c.	
0101635	Automatic timed softener CT 1"1/2 150 lt d.c.	
0101835	Automatic timed softener CT 1"1/2 200 lt d.c.	
0101836	Automatic timed softener CT 2" 200 lt d.c.	
0101935	Automatic timed softener CT 1"1/2 300 lt d.c.	
0101936	Automatic timed softener CT 2" 300 lt d.c.	
0102035	Automatic timed softener CT 1"1/2 450 lt d.c.	
0102036	Automatic timed softener CT 2" 450 lt d.c.	



VOLUMETRIC DOUBLE BODY SOFTENERS WITH CLACK CI VALVE

Code	Description	€
0100690	Automatic volumetric softener CV 1" 8lt d.c.	
0100790	Automatic volumetric softener CV 1" 15 lt d.c.	
0100890	Automatic volumetric softener CV 1" 20 lt d.c.	
0100990	Automatic volumetric softener CV 1" 25lt d.c.	
0101090	Automatic volumetric softener CV 1" 40 lt d.c.	
0101190	Automatic volumetric softener CV 1" 50 lt d.c.	
0101290	Automatic volumetric softener CV 1" 75 lt d.c.	
0101291	Automatic volumetric softener CV 1"1/4 75 lt d.c.	
0101430	Automatic volumetric softener CV 1" 100 lt d.c.	
0101431	Automatic volumetric softener CV 1"1/4 100 lt d.c.	
0101440	Automatic volumetric softener CV 1"1/2 100 lt d.c.	
0101530	Automatic volumetric softener CV 1" 125 lt d.c.	
0101531	Automatic volumetric softener CV 1"1/4 125 lt d.c.	
0101540	Automatic volumetric softener CV 1"1/2 125 lt d.c.	
0101630	Automatic volumetric softener CV 1" 150 lt d.c.	
0101631	Automatic volumetric softener CV 1"1/4 150 lt d.c.	
0101640	Automatic volumetric softener CV 1"1/2 150 lt d.c.	
0101830	Automatic volumetric softener CV 1" 200 lt d.c.	
0101831	Automatic volumetric softener CV 1"1/4 200 lt d.c.	
0101840	Automatic volumetric softener CV 1"1/2 200 lt d.c.	
0101860	Automatic volumetric softener CV 2" 200 lt d.c.	
0101940	Automatic volumetric softener CV 1"1/2 300 lt d.c.	
0101941	Automatic volumetric softener CV 2" 300 lt d.c.	
0102040	Automatic volumetric softener CV 1"1/2 450 lt d.c.	
0102041	Automatic volumetric softener CV 2" 450 lt d.c.	



DUPLEX SOFTENERS WITH CLACK VTT1 CI TWIN VALVE

Code	Description	€
0102204	Automatic duplex softener CD Clack TWIN 1"25 lt	
0102214	Automatic duplex softener CD Clack TWIN 1" 40 lt	
0102218	Automatic duplex softener CD Clack TWIN 1"50 lt	
0102224	Automatic duplex softener CD Clack TWIN 1"75 lt	
0102234	Automatic duplex softener CD Clack TWIN 1"100 lt	
0102244	Automatic duplex softener CD Clack TWIN 1"125 lt	
0102314	Automatic duplex softener CD Clack TWIN 1"150 lt	
0102334	Automatic duplex softener CD Clack TWIN 1"200 lt	



4. CABINET WATER SOFTENERS WITH FLECK VALVE

TIMER WATER SOFTENERS CABINET WITH FLECK VALVE

Code	Description	€
0100110	Automatic timed softener FT 5600 SXT 1" 4lt CAB.MICRO WL	
0100202	Automatic timed softener FT 5600 SXT 1" 8lt CAB MINI EU	
0100302	Automatic timed softener FT 5600 SXT 1" 15 lt CAB MAXI EU	
0100402	Automatic timed softener FT 5600 SXT 1" 20 lt CAB MAXI EU	
0100502	Automatic timed softener FT 5600 SXT 1" 25 lt CAB.M AXI EU	
0103502	Automatic timed softener FT SXT 5600 1" 30 lt CAB. MAXI DIAMANTE	



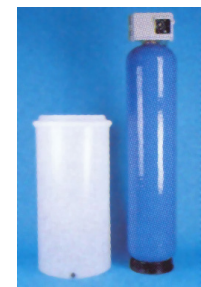
VOLUMETRIC WATER SOFTENERS CABINET WITH FLECK VALVE

Code	Description	€
0100111	Automatic volumetric softener FV 5600 SXT 1" 4lt CAB. MICRO WL	
0100232	Automatic volumetric softener FV 5600 SXT 1" 8lt CAB. MINI EU	
0100332	Automatic volumetric softener FV 5600 SXT 1" 15 lt CAB MAXI EU	
0100432	Automatic volumetric softener FV 5600 SXT 1" 20 lt CAB MAXI EU	
0100532	Automatic volumetric softener FV SXT 5600 1" 25 lt CAB MAXI EU	
0103532	Automatic volumetric softener FV 5600 SXT 1" 30 lt CAB. MAXI DIAMANTE	



TIMER DOUBLE BODY SOFTENERS WITH FLECK VALVE

Code	Description	€
0100602	Automatic timed softener FT Fleck 5600 SXT 1" 8 lt d.c.	
0100702	Automatic timed softener FT Fleck 5600 SXT 1" 15 lt d.c.	
0100802	Automatic timed softener FT Fleck 5600 SXT 1" 20 lt d.c.	
0100902	Automatic timed softener FT Fleck 5600 SXT 1" 25lt d.c.	
0101002	Automatic timed softener FT Fleck 5600 SXT 1" 40 lt d.c.	
0101102	Automatic timed softener FT Fleck 5600 SXT 1" 50 lt d.c.	
0101202	Automatic timed softener FT Fleck 5600 SXT 1" 75 lt d.c.	
0101407	Automatic timed softener FT Fleck 2850 SXT 1"1/2 100 lt d.c.	
0101507	Automatic timed softener FT Fleck 2850 SXT 1"1/2 125 lt d.c.	
0101607	Automatic timed softener FT Fleck 2850 SXT 1"1/2 150 lt d.c.	
0101807	Automatic timed softener FT Fleck 2850 SXT 1"1/2 200 lt d.c.	
0101822	Automatic timed softener FT Fleck 2910 SXT 2" 200 lt d.c.	
0101902	Automatic timed softener FT Fleck 2850 SXT 1"1/2 300 lt d.c.	
0101922	Automatic timed softener FT Fleck 2910 SXT 2" 300 lt d.c.	
0102002	Automatic timed softener FT Fleck 2850 SXT 1"1/2 450 lt d.c.	
0102022	Automatic timed softener FT Fleck 2910 SXT 2" 450 lt d.c.	



VOLUMETRIC DOUBLE BODY SOFTENERS WITH FLECK VALVE

Code	Description	€
0100632	Automatic timed softener FV Fleck 5600 SXT 1" 8 lt d.c.	
0100732	Automatic timed softener FV Fleck 5600 SXT 1" 15 lt d.c.	
0100832	Automatic timed softener FV Fleck 5600 SXT 1" 20 lt d.c.	
0100932	Automatic timed softener FV Fleck 5600 SXT 1" 25lt d.c.	
0101032	Automatic timed softener FV Fleck 5600 SXT 1" 40 lt d.c.	
0101132	Automatic timed softener FV Fleck 5600 SXT 1" 50 lt d.c.	
0101232	Automatic timed softener FV Fleck 5600 SXT 1" 75 lt d.c.	
0101417	Automatic timed softener FV Fleck 2850 SXT 1"1/2 100 lt d.c.	
0101517	Automatic timed softener FV Fleck 2850 SXT 1"1/2 125 lt d.c.	
0101617	Automatic timed softener FV Fleck 2850 SXT 1"1/2 150 lt d.c.	
0101817	Automatic timed softener FV Fleck 2850 SXT 1"1/2 200 lt d.c.	
0101852	Automatic timed softener FV Fleck 2910 SXT 2" 200 lt d.c.	
0101912	Automatic timed softener FV Fleck 2850 SXT 1"1/2 300 lt d.c.	
0101952	Automatic timed softener FV Fleck 2910 SXT 2" 300 lt d.c.	
0102012	Automatic timed softener FV Fleck 2850 SXT 1"1/2 450 lt d.c.	
0102052	Automatic timed softener FV Fleck 2910 SXT 2" 450 lt d.c.	



ELECTRONIC DUPLEX SOFTENERS WITH FLECK VALVE

Code	Description	€
0102202	Automatic duplex softener FD 9000 SXT 1" 25 lt	
0102212	Automatic duplex softener FD 9000 SXT 1" 40 lt	
0102217	Automatic duplex softener FD 9000 SXT 1" 50 Lt	
0102222	Automatic duplex softener FD 9000 SXT 1" 75 lt	
0102232	Automatic duplex softener FD 9000 SXT 1" 100 lt	
0102242	Automatic duplex softener FD 9000 SXT 1" 125 lt	
0102317	Automatic duplex softener FD 9500 SXT 1"1/2 100 lt	
0102302	Automatic duplex softener FD 9500 SXT 1"1/2 125 lt	
0102312	Automatic duplex softener FD 9500 SXT 1"1/2 150 lt	
0102332	Automatic duplex softener FD 9500 SXT 1"1/2 200 lt	
0102342	Automatic duplex softener FD 9500 SXT 1"1/2 300 lt	



5. WATER SOFTENERS WITH AUTOTROL VALVE

TIMER WATER SOFTENERS CABINET WITH AUTOTROL 740 VALVE

Code	Description	€
0100131	Automatic timed softener ATL 255/740 Logix 1" 4 lt CAB. UNDER	
0100271	Automatic timed softener ATL 255/740 Logix 1" 8 lt CAB. MINI EU	
0100371	Automatic timed softener ATL 255/740 Logix 1" 15 lt CAB. MAXI EU	
0100471	Automatic timed softener ATL 255/740 Logix 1" 20 lt CAB. MAXI EU	
0100571	Automatic timed softener ATL 255/740 Logix 1" 25 lt CAB. MAXI EU	
0103571	Automatic timed softener ATL 255/740 Logix 1" 30 lt CAB. MAXI DIAMANTE	



VOLUMETRIC WATER SOFTENERS CABINET WITH AUTOTROL 760 VALVE

Code	Description	€
0100121	Automatic volumetric softener AVL 255/760 Logix 1" 4lt. CAB UNDER	
0100281	Automatic volumetric softener AVL 255/760 Logix 1" 8 lt CAB MINI EU	
0100381	Automatic volumetric softener AVL 255/760 Logix 1" 15 lt CAB MAXI EU	
0100481	Automatic volumetric softener AVL 255/760 Logix 1" 20 lt CAB MAXI EU	
0100581	Automatic volumetric softener AVL 255/760 Logix 1" 25 lt. CAB MAXI EU	
0103581	Automatic volumetric softener AVL 255/760 Logix 1" 30 lt CAB. MAXI DIAMANTE	



TIMER DOUBLE BODY SOFTENERS WITH AUTOTROL 740 VALVE

Code	Description	€
0100671	Automatic timed softener ATL 255/740 Logix 1" 8 lt d.c.	
0100771	Automatic timed softener ATL 255/740 Logix 1" 15 lt d.c.	
0100871	Automatic timed softener ATL 255/740 Logix 1" 20 lt d.c.	
0100971	Automatic timed softener ATL 255/740 Logix 1" 25 lt d.c.	
0101071	Automatic timed softener ATL 255/740 Logix 1" 40 lt d.c.	
0101171	Automatic timed softener ATL 255/740 Logix 1" 50 lt d.c.	
0101271	Automatic timed softener ATL 255/740 Logix 1" 75 lt d.c.	



VOLUMETRIC DOUBLE BODY SOFTENERS WITH AUTOTROL 760 VALVE

Code	Description	€
0100681	Automatic volumetric softener AVL 255/760 Logix 1" 8 lt d.c.	
0100781	Automatic volumetric softener AVL 255/760 Logix 1" 15 lt d.c.	
0100881	Automatic volumetric softener AVL 255/760 Logix 1" 20 lt d.c.	
0100981	Automatic volumetric softener AVL 255/760 Logix 1" 25lt d.c.	
0101081	Automatic volumetric softener AVL 255/760 Logix 1" 40 lt d.c.	
0101181	Addolcitore automatico a volumAVL 255/760 Logix 1" 50 lt. d.c.	
0101281	Automatic volumetric softener AVL 255/760 Logix 1" 75 lt d.c.	



6. FILTRATION - DECLORATION - DEIRONING

MANUAL GRANULAR ACTIVATED CARBON FILTERS

Code	Description	Ø	H	€
FCM16000	CRB 1" 20 T manual	260	1090	
FCM16010	CRB 1" 25 T manual	260	1550	
FCM16020	CRB 1" 30 T manual	350	1550	

MANUAL SAND FILTERS

Code	Description	Ø	H	€
FQ150200	MST 1" 20 T manual	260	1090	
FQ150210	MST 1" 25 T manual	260	1550	
FQ150220	MST 1" 30 T manual	350	1550	

AUTOMATIC GRANULAR ACTIVATED CARBON FILTERS

Code	Description	Ø	H	€
FCA17000	CRB 1" 20 automatic	260	1090	
FCA17010	CRB 1" 25 automatic	260	1550	
FCA17020	CRB 1" 30 automatic	350	1550	
FCA17030	CRB 1" 35 automatic	370	1920	
FCA17040	CRB 1" 40 automatic	420	1920	
FCA17045	CRB 1" 1/2 45 automatic	560	1920	
FCA17050	CRB 1" 1/2 50 automatic	560	1920	
FCA17060	CRB 1" 1/2 60 automatic	620	2050	
FCA17070	CRB 2" 80 automatic	800	2300	

AUTOMATIC SAND FILTERS

Code	Description	Ø	H	€
FQA15000	MST 1" - 20 automatic	260	1090	
FQA15010	MST 1" - 25 automatic	260	1550	
FQA15020	MST 1" - 30 automatic	350	1550	
FQA15030	MST 1" - 35 automatic	370	1920	
FQA15040	MST 1" - 40 automatic	420	1920	
FQA15045	MST 1" 1/2 - 45 automatic	500	1920	
FQA15050	MST 1" 1/2 - 50 automatic	560	1920	
FQA15060	MST 1" 1/2 - 60 automatic	620	2050	
FQA15070	MST 2" - 80 automatic	800	2300	



BIRM-DEIRONING FILTERS

Code	Description	Ø	H	€
FBR19000	FBR 1" 20 automatic	260	1090	
FBR19010	FBR 1" 25 automatic	260	1550	
FBR19020	FBR 1" 30 automatic	350	1550	
FBR19030	FBR 1" 35 automatic	370	1920	
FBR19040	FBR 1" 40 automatic	420	1920	
FBR19050	FBR 1" 45 automatic	500	1920	
FBR19060	FBR 1" 1/2 45 automatic	500	2000	



ZEOLITE DEIRONING FILTERS

Code	Description	Ø	H	€
FZA18000	FZA 1" 20 automatic	260	1320	
FZA18010	FZA 1" 25 automatic	260	1550	
FZA18020	FZA 1" 30 automatic	350	1550	
FZA18030	FZA 1" 35 automatic	370	1920	
FZA18040	FZA 1" 40 automatic	420	1920	
FZA18045	FZA 1" 45 automatic	500	1920	
FZA18050	FZA 1" 1/2 50 automatic	560	1920	
FZA18060	FZA 1" 1/2 60 automatic	620	2050	
FZA18080	FZA 2" 80 automatic	800	2300	



7. STANDARD CABINET

BINGO

	L	P	H
Overall dimensions mm - valve excluded	280	485	355



UNDER

	L	P	H
Overall dimensions mm - valve excluded	225	435	355



MICRO

	L	P	H
Overall dimensions mm - valve excluded	200	360	365



MINI EU

Can be used with CLACK, RUNXIN, FLECK and AUTOTROL valves

	L	P	H
Overall dimensions mm - valve excluded	320	480	655



MAXI EU

Can be used with CLACK, RUNXIN, FLECK and AUTOTROL valves

	L	P	H
Overall dimensions mm - valve excluded	320	480	1120



8. OPTIONAL CABINETS

PEARL

Can be used with CLACK, RUNXIN FLECK and AUTOTROL valves

MINI				COD/BA
	L	P	H	
Overall dimensions mm	340	525	660	

MAXI				COD/BA
	L	P	H	
Overall dimensions mm	340	525	1125	

WL10

Can be used with CLACK, RUNXIN E FLECK valves

MINI				COD/10
	L	P	H	
Overall dimensions mm	350	500	660	

MAXI				COD/10
	L	P	H	
Overall dimensions mm	350	500	1100	

CLACK CWS

Can be used with CLACK, RUNXIN E FLECK e AUTOTROL valves

MINI				COD/2
	L	P	H	
Overall dimensions mm	350	520	705	

MAXI				COD/2
	L	P	H	
Overall dimensions mm	350	520	1130	



DIAMANTE

Can be used with CLACK, RUNXIN and FLECK and AUTOTROL valves

MINI	COD/6		
	L	P	H
Overall dimensions mm	350	605	670

MINI	COD/6		
	L	P	H
Overall dimensions mm	350	605	1120



EVOLUTION OPEN

Can be used with CLACK, RUNXIN and FLECK and AUTOTROL valves

MINI	COD/5		
	L	P	H
Overall dimensions mm	350	605	670

MINI	COD/5		
	L	P	H
Overall dimensions mm	350	605	1120



9. TECHNICAL TABLES

WATER SOFTENING TECHNICAL CHARACTERISTICS

Liters of resin	Instant maximum flow (m ³ /h)	Exchange resin capacity	Cyclic capacity for °F	Salt consumption for regeneration @ 150 gr/lit(kg)	Sample cycle with 35°F (m ³)
4	0,16	5,5	22	0,64	0,63
8	0,32	5,5	44	1,28	1,26
15	0,6	5,5	82,5	2,4	2,36
20	0,8	5,5	11	3,2	3,14
25	1	5,5	137,5	4	3,93
30	1,2	5,5	165	4,8	4,71
40	1,6	5,5	220	6,4	6,29
50	2	5,5	275	8	7,86
75	3	5,5	412,5	12	11,79
100	4	5,5	55	16	15,71
125	5	5,5	687,5	20	19,64
150	6	5,5	825	24	23,57
200	8	5,5	1100	32	31,43
300	12	5,5	1650	48	47,14
450	18	5,5	2475	72	70,71

DOUBLE BODY SOFTENER DIMENSION

8 lt	Softeners Ø 20 cm, total height 65 cm brine tank Ø 34 cm, height 45 cm, 40 lt
15 lt	Softeners Ø 20 cm, total height 110 cm brine tank Ø 34 cm, height 89 cm, 75 lt
20 lt	Softeners Ø 20 cm, total height 110 cm brine tank Ø 34 cm, height 89 cm, 75 lt
25 lt	Softeners Ø 25 cm, total height 110 cm brine tank Ø 34 cm, height 89 cm, 75 lt
40 lt	Softeners Ø 25 cm, total height 140 cm brine tank Ø 34 cm, height 89 cm, 75 lt
50 lt	Softeners Ø 25 cm, total height 160 cm brine tank Ø 53 cm, height 75 cm, 150 lt
75 lt	Softeners Ø 35 cm, total height 160 cm brine tank Ø 53 cm, height 75 cm, 150 lt
100 lt	Softeners Ø 36 cm, total height 190 cm brine tank Ø 53 cm, height 100 cm, 200 lt
125 lt	Softeners Ø 41 cm, total height 190 cm brine tank Ø 53 cm, height 100 cm, 200 lt
150 lt	Softeners Ø 41 cm, total height 190 cm brine tank Ø 62 cm, height 106 cm, 300 lt
200 lt	Softeners Ø 54 cm, total height 180 cm brine tank Ø 94 cm, height 97 cm, 500 lt
300 lt	Softeners Ø 61 cm, total height 200 cm brine tank Ø 110 cm, height 141 cm, 1000 lt
450 lt	Softeners Ø 77 cm, total height 210 cm brine tank Ø 110 cm, height 141 cm, 1000 lt

DUPLEX SOFTENER DIMENSION

25 lt	Softener Ø 25 cm, total height 110 cm X 2 Brine tank Ø 34 cm, height 89 cm, 75 lt
40 lt	Softener Ø 25 cm, total height 140 cm X 2 Brine tank Ø 34 cm, height 89 cm, 75 lt
50 lt	Softener Ø 25 cm, total height 160 cm X 2 Brine tank Ø 53 cm, height 75 cm, 150 lt
75 lt	Softener Ø 35 cm, total height 160 cm X 2 Brine tank Ø 53 cm, height 100 cm, 200 lt
100 lt	Softener Ø 36 cm, total height 190 cm X 2 Brine tank Ø 53 cm, height 100 cm, 200 lt
125 lt	Softener Ø 41 cm, total height 190 cm X 2 Brine tank Ø 62 cm, height 106 cm, 300 lt
150 lt	Softener Ø 41 cm, total height 190 cm X 2 Brine tank Ø 94 cm, height 97 cm, 500 lt
200 lt	Softener Ø 54 cm, total height 180 cm X 2 Brine tank Ø 110 cm, height 141 cm, 1000 lt
300 lt	Softener Ø 61 cm, total height 200 cm X 2 Brine tank Ø 110 cm, height 141 cm, 1000 lt

Overall dimensions mm

FILTERS TECHNICAL CHARACTERISTICS

CARBON FILTER

Code	Description	Diameter (mm)	Height (mm)	Carbon (lt)	Max flow (m ³ /h)	Backwash (m ³ /h)
FCM16000	CRB 1" 20 T manual	260	940	25	0,75	0,75
FCM16010	CRB 1" 25 T manual	260	1430	40	1,20	1,20
FCM16020	CRB 1" 30 T manual	340	1430	54	1,60	1,60
FCA17000	CRB 1" 20 automatic	260	1320	25	0,75	0,75
FCA17010	CRB 1" 25 automatic	260	1580	40	1,20	1,20
FCA17020	CRB 1" 30 automatic	340	1580	54	1,60	1,60
FCA17030	CRB 1" 35 automatic	360	1860	80	2,40	2,40
FCA17040	CRB 1" 40 automatic	410	1860	100	3,00	3,00
FCA17045	CRB 1" 1/2 45 automatic	510	1830	120	3,60	3,60
FCA17050	CRB 1" 1/2 50 automatic	510	1830	160	4,80	4,80
FCA17060	CRB 1" 1/2 60 automatic	610	2050	230	6,90	6,90
FCA17070	CRB 2" 80 automatic	770	2300	400	12,00	12,00

SAND FILTER

Code	Description	Diameter (mm)	Height (mm)	Carbon (lt)	Max flow (m ³ /h)	Backwash (m ³ /h)
FQ150200	MST 1" 20 T manual	260	940	15	0,90	0,75
FQ150210	MST 1" 25 T manual	260	1430	25	1,11	1,20
FQ150220	MST 1" 30 T manual	340	1430	50	1,90	1,60
FQA15000	MST 1" - 20 automatic	260	1090	15	0,70	1,20
FQA15010	MST 1" - 25 automatic	260	1580	25	0,85	1,50
FQA15020	MST 1" - 30 automatic	340	1580	50	1,50	2,60
FQA15030	MST 1" - 35 automatic	360	1860	75	1,70	2,90
FQA15040	MST 1" - 40 automatic	410	1860	80	2,20	3,90
FQA15045	MST 1" 1/2 - 45 automatic	460	1940	100	2,80	4,90
FQA15050	MST 1" 1/2 - 50 automatic	510	1830	150	3,70	6,70
FQA15060	MST 1" 1/2 - 60 automatic	610	2050	200	5,00	8,70
FQA15070	MST 2" - 80 automatic	770	2300	325	8,00	13,70

BIRM IRON REMOVER

Code	Description	Diameter (mm)	Height (mm)	Carbon (lt)	Max flow (m ³ /h)	Backwash (m ³ /h)
FBR19000	FBR 1" 20 automatic	260	1320	20	0,50	1,00
FBR19010	FBR 1" 25 automatic	260	1580	40	0,60	1,20
FBR19020	FBR 1" 30 automatic	340	1580	70	1,00	2,00
FBR19030	FBR 1" 35 automatic	360	1860	80	1,20	2,40
FBR19040	FBR 1" 40 automatic	410	1860	100	1,60	3,20
FBR19050	FBR 1" 45 automatic	460	1950	130	2,00	4,00
FBR19060	FBR 1" 1/2 45 automatic	460	2000	130	2,00	4,00

ZEOLITE IRON REMOVER

Code	Description	Diameter (mm)	Height (mm)	Carbon (lt)	Max flow (m ³ /h)	Backwash (m ³ /h)
FZA18000	FZA 1" 20 automatic	260	1320	20	0,50	1,00
FZA18010	FZA 1" 25 automatic	260	1580	40	0,60	1,20
FZA18020	FZA 1" 30 automatic	340	1580	70	1,00	2,00
FZA18030	FZA 1" 35 automatic	360	1860	80	1,20	2,40
FZA18040	FZA 1" 40 automatic	410	1860	100	1,60	3,20
FZA18045	FZA 1" 45 automatic	460	1950	130	2,00	4,00
FZA18050	FZA 1" 1/2 50 automatic	510	1830	180	2,70	5,40
FZA18060	FZA 1" 1/2 60 automatic	610	2050	230	3,60	7,20
FZA18080	FZA 2" 80 automatic	770	2300	360	5,60	11,00



17

HOME AND PROFESSIONAL DISPENSER AND ACCESSORIES

Home & Office water dispensing systems | HORECA dispensing solutions | Dispenser office
Filtration systems | Reverse osmosis systems | Taps and Towers

1. HOME & OFFICE WATER DISPENSING SYSTEMS

NEW VENUS DRY TOP	428
PURITY	428
SODAX	429
ECO SO UP	430
QUEEN	431
JOLLY SOPRABANCO	431
JOLLY ST	432
MINIPURE PULSE	432
VENUS DRY TOP	433
VENUS DRY UNDER	433
EASY WATER TOP	434
EASY WATER UNDER	434
PURITY TOWER	435
SUPPORT CABINET	435

2. HORECA DISPENSING SOLUTIONS

MINI INFINITY / INFINITY	436
PETIT ICE 50 LUX	437
PETIT ICE 50	437
MINI NEPTUN LUX	438
MINI NEPTUN	438
NEPTUN LUX	439
NEPTUN	439
AQUAVERT 20	440
INFINITY TOWER	440
TEVERE	441
JUMBO 13	441
DANUBIO	442
JUMBO 20	442
AURORA	443
AURORA PLUS	443

3. WATER DISPENSING SYSTEMS FOR HO.RE.CA AND PUBLIC FOUNTAINS

MIGNOLO MIX	444
MAGO MIX	444
MONSTER MIX	445
PARTY MIX	445
COMBI	446
WATER DISPENSER FOR PUBLIC FOUNTAIN	448
ELIXIR	449
EXTERNAL CARBONATOR	450
EXTERNAL COLD CARBONATOR	450

4. DISPENSER OFFICE

WATER DISPENSER	451
ACCESSORIES	451

5. FILTRATION SYSTEMS

EASY FILTER	452
EASY GAS	452
PROFESSIONAL FILTRATION SYSTEMS	453









6. REVERSE OSMOSIS SYSTEMS

MINI OSMOGASFRESH DRY	454
OSMOGASFRESH DRY TOP SW	455

7. TAPS AND TOWERS

MECHANICAL TAPS FOR HOME & OFFICE	456
GENESIS	457
NEW PACIFIC E PACIFIC	457
ATLANTIC	458
EDEN NG	458
GENIUS	459
PRINCESS	460
EVOLUTION	461
ALLEGRA	462
SKY	462
ACCESSORIES	463

LEGENDA

	A - AMBIENT-TEMPERATURE STILL		C -HOT WATER
	F - COLD STILL		USE WITH BOTTLE
	G A- CARBONATED		USE OF CARAFE OR GLASS
	LG - COLD CARBONATED		COIN READER
	G - COLD CARBONATED SOFT		

1. HOME & OFFICE WATER DISPENSING SYSTEMS

NEW VENUS DRY TOP

Counter top water dispenser for cold/room temperature/sparkling water. Dry cooling technology with aluminum block and Isotechplus insulation. White metal casing and white plastic front panel. Dispensing buttons with blue backlighting.

Voltage 230 V - 50 Hz
 Compressor power 1/10 hp
 Cooling capacity 18 l/h
 Carbonation Pump (SW) Booster 80 l/h
 Carbonator capacity (SW) 0,5 l

CA



SW



Code	Description	€		
BS012303	New Venus Dry Top SW White			
BS012323	New Venus Dry Top CA White			
Dimensions	Height (mm)	Width (mm)	Depth (mm)	
	360	173	470	

PURITY

Counter top water cold/ambient/sparkling cooler, ideal for home and small offices. Dry cooling technology: carbonator + serpentine for cold water. Provided with internal filter ("Mini filter" OCEANO), pressure reducer kit for internal 600 g CO2 bottle (optional), UV lamp (optional). The 600 g CO2 bottle is not included (cod. 180008). External casing in alluminum and plastic.

Voltage 230 V - 50 Hz
 Compressor power 1/10 hp
 Cooling capacity 18 l/h
 Carbonation pump (SW) Booster 90l/h
 Carbonator capacity (SW) 1 l



Code	Description	€		
N28337	PURITY HOME FILTER			
N28358	PURITY HOME FILTER UV			
N700520	Pressure reducer kit for internal 600 g CO2 bottle			
OK03N00	Mini Filter Bayo Carbon Block Sintered 0,5 µmAg			
X901/1	Lamp for Purity			
180008	Disposable 600 gr CO2 bottle			
Dimensions	Height (mm)	Width (mm)	Depth (mm)	
	370	220	482	

SODAX

Premium counter top water cooler, ideal for home and offices. It works connected to the water mains or with the internal reservoir (no installation required).

It is available in 2 models:

X1: cold/hot/extra hot/sparkling water

X10: cold/hot/extra hot water

Dry cooling technology: carbonator + serpentine for cold water.

Provided with internal filter, UV lamp, rechargeable Co2 bottle 425 grams.

Modern and friendly touch screen; child safety option; multi languages options; pre-set volume of cold and hot water; energy saving; adjustable soda strength.

Available in 4 colors: white, red, black; silver painted; with or without the support cabinet



Nero

Voltage 230 V - 50 Hz
 Compressor power 1/10 hp
 Cooling capacity 15 l/h
 Carbonator capacity (X1) 1 l

X1



Silver

White

Red

X10



Code	Description	€
X1S-000 . . . 1 2 3 5	Sodax X1	
X10S-000 . . . 1 2 3 5	Sodax X10	
Dimensions	Height (mm)	Width (mm)
	394	298
		Depth (mm)
		456

DISPOSABLES

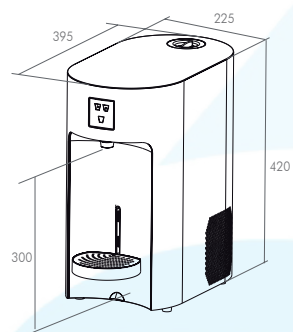
Code	Description	€
X900/1	Carbon block HP	
X901	Lamp for Sodax	
DS000310	Rechargeable 425 g aluminum bottle	

ECO SO UP

Water dispenser connected to the mains with a dry cooling technology providing cold, sparkling and room temperature water.

In an internal space already arranged for CO2 adaptor connection, a rechargeable 425 g CO2 bottle can be installed and easily removed and replaced.

A dedicated active carbon filter kit is available as optional. A UV lamp (optional) prevents bacterial growth in the water dispensing area.



External sheet	Zn Epoxy/Inox Zn Epoxy/stainless steel
Cooling system	dry
Dispensing capability	13 l/h
Cooling capac dry	180 W/140 Kcal
Soda dispensing capability	1.8 l/m
Carbonator capacity	0.7 l
Carbonation pump	Membrane 100 l/H
Compressor power	1/16 Hp
Cooling gas	r134a
Voltage	220-230Volt/50hz

- Lowest energy consumption
- Removable and adjustable drip tray at different levels
- Dedicated internal drawer for CO2 tank
- Easy installation and service



Code	Description	€
------	-------------	---

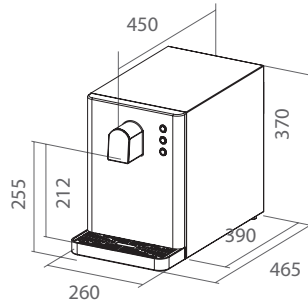
SS015784 ●	Counter Top Eco So° Up stainless steel cold-sparkling-room temperature water	
SS015805 ○	Counter Top Eco So° Up white cold-sparkling-room temperature water	

Dimensions	Height (mm)	Width (mm)	Depth (mm)
	420	225	395

QUEEN

QUEEN is the smallest counter top water cooler of the CLASSIC product line with mechanical push buttons. This POU dispenser is equipped with a dry cooling technology system and dispenses cold, sparkling and room temperature water. The optional addition of a microfiltration system with active carbon, approved by the Italian Ministry of Health, improves the quality of dispensed water by eliminating the taste and smell of chlorine and removing all impurities.

External sheet	Zn Epoxy
Cooling system	dry
Dispensing capability	15 l/h
Cooling capacity	180W
Soda dispensing capability	1,8 l/m
Carbonator capacity	0,79 l
Carbonation pump	100 l/h
Compressor power	1/12 Hp
Cooling gas	r134a
Voltage	220-230Volt/50hz



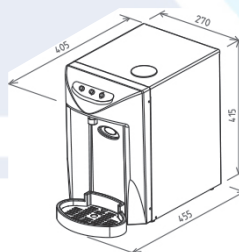
Code	Description	€
SS014588	Counter Top Queen cold-room temperature-sparkling water	

Dimensions	Height (mm)	Width (mm)	Depth (mm)
	370	260	465

JOLLY SOPRABANCO

JOLLY COUNTER TOP is the most representative among the counter top water dispensers of the CLASSIC product line. POU water dispenser with an ice bank cooling technology providing cold, sparkling and room temperature water.

External sheet	stainless steel and front side in plastic
Cooling system	ice bank
Dispensing capability	30 l/h
Cooling capacity	180W
Carbonator capacity	0,79 l
Water tank capacity	3 l
Compressor power	1/12Hp
Cooling gas	r134a
Voltage	220-230 Volt/50 Hz



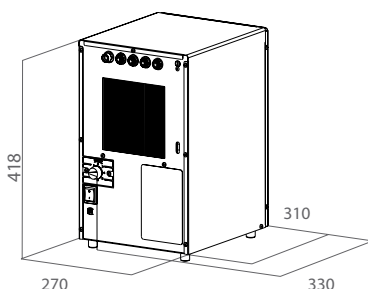
Code	Description	€
SS012701	Counter top Jolly cold-sparkling-room temperature water with ice bank and rotative pump	

Dimensions	Height (mm)	Width (mm)	Depth (mm)
	415	270	455

JOLLY ST

JOLLY ST is the most representative among the under counter water dispensers of the CLASSIC product line. POU water dispenser with a dry cooling technology providing cold, sparkling and room temperature water.

External sheet stainless
 Cooling system ice bank
 Dispensing capability 15 l/h
 Cooling capacity 180 W
 Water tank capacity 3 l
 Carbonator capacity 0,79 l
 Compressor power 1/12Hp
 Cooling gas r134a
 Voltage 220-230V/50 Hz

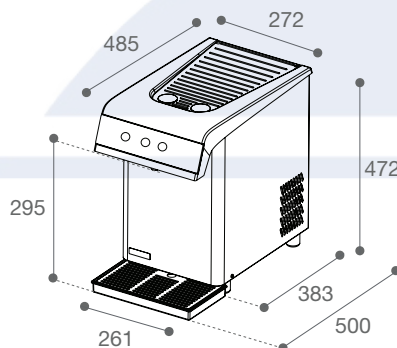


Code	Description	€		
SS012700	Under counter Jolly cold-sparkling-room temperature water with ice bank and rotary pump			
Dimensions	Height (mm)	Width (mm)	Depth (mm)	
	418	270	330	

MINIPURE PULSE

MINIPURE PULSE is the counter top water cooler from the CLASSIC product line with mechanical push buttons. This POU water dispenser with a dry cooling technology provides cold, sparkling and room temperature water.

External sheet Stainless steel and plastic
 Cooling system Dry
 Dispensing capability 40 l/h
 Cooling capacity 260 W
 Water tank capacity 6 l
 Carbonator capacity 1 l
 Carbonation pump Membrane 100 l/h
 Compressor power 1/12Hp
 Cooling gas r134a
 Voltage 220-230Volt/50hz

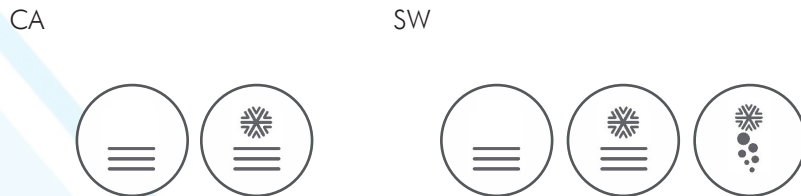


Code	Description	€		
SS014588	Counter Top Minipure Pulse cold-room temperature-sparkling water			
Dimensions	Height (mm)	Width (mm)	Depth (mm)	
	472	261	500	

VENUS DRY TOP

Counter top water dispenser with 2 or 3 selections of room temperature still water, cooled still water, cooled sparkling water. Dry cooling system with aluminium block, grey external housing with thermoformed front available in 6 different colours.

Voltage 230 V - 50 Hz
 Compressor power 1/20 hp
 Cooling capacity 18 l/h
 Carbonation Pump (SW) Booster 80 l/h
 Carbonator capacity (SW) 0.5 l

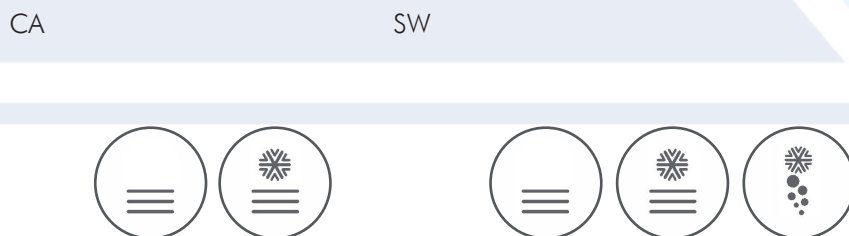
Code	Description	€
BS01220 . . . 1 2 3 4 5 6	Venus Dry Top SW	
BS01222 . . . 1 2 3 4 5 6	Venus Dry Top CA	

Dimensions	Height (mm)	Width (mm)	Depth (mm)
	360	173	470

VENUS DRY UNDER

Under counter water dispenser with 2 or 3 selections of room temperature still water, cold still water, cold sparkling water. Dry cooling system with aluminium block, grey external housing. Available with manual (I) or electric (E) dispensing system. Available also with water condensation (H2O). Isolation with Isotech Plus material.

Voltage 230 V - 50 Hz
 Compressor power 1/12 hp
 Cooling capacity 18 l/h
 Carbonation Pump (SW) Booster 80 l/h
 Carbonator capacity (SW) 0.5 l



Code	Description	€
BS022120	Venus DryUnder I CA	
BS022100	Venus DryUnder I SW	
BS022200	Venus DryUnder E SW	
BS023100	Venus DryUnder I SW H2O	
BS023200	Venus DryUnder E SW H2O	

Dimensions	Height (mm)	Width (mm)	Depth (mm)
	360	170	250

EASY WATER TOP

Counter top water dispenser with 2 or 3 selections of room temperature water, cold and cold sparkling water. Ice bank cooling system, grey external housing with thermoformed front available in 5 different colours.

Voltage	230 V - 50 Hz
Compressor power	1/8 hp
Water tank capacity	2 l
Cooling capacity	25 l/h
Carbonator capacity (SW)	0,5 l



Code						Description	€
BS11122 . . .	1	2	3	4	5	Easy Water Top 3000 CA	
BS11120 . . .	1	2	3	4	5	Easy Water Top 3000 SW PB Booster pump	
BS11121 . . .	1	2	3	4	5	Easy Water Top 3000 SW PV Volumetric pump	

Dimensions	Height (mm)	Width (mm)	Depth (mm)
	425	290	375

EASY WATER UNDER

Under counter water dispenser with 2 or 3 selections of room temperature water, cold and cold sparkling water. Ice bank cooling system, grey external housing. Available with manual (I) or electric (E) dispensing system.

Voltage	230 V - 50 Hz
Compressor power	1/8 hp
Water tank capacity	2 l
Cooling capacity	25 l/h
Carbonator capacity (SW)	0,5 l



Code	Description	€
BS221120	Easy Water Under I CA	
BS221100	Easy Water Under I SW PB (Booster pump)	
BS221200	Easy Water Under E SW PB (Booster pump)	
BS221110	Easy Water Under I SW PV (Volumetric pump)	
BS221210	Easy Water Under E SW PV (Volumetric pump)	

Dimensions	Height (mm)	Width (mm)	Depth (mm)
	425	290	255

PURITY TOWER

Dispensing tower with touchscreen, for room temperature, cold, cold sparkling and hot water. Ideal for home and office use. External housing in aluminum, steel and plastic. It can be matched with different models of under counter dispensers. Support cabinet not included.

Voltage 230 V - 50 Hz



BEVCO

Code	Description	€	
PURFHC	Purity Tower Font Home Hot&Cold		
PURFC	Purity Tower Font Home Cold		
Dimensions	Height (mm)	Width (mm)	Depth (mm)
	379	150	213

SUPPORT CABINET

Standard support cabinet ideal in combination with SODAX dispensers. Available also in a version that can allocate the counter top dispensers Venus and Purity. It is compatible also with Purity Tower and with the under counter dispensers Venus Dry Under and Easy Water Under. Made in polished skinplate, it is available in 2 standard colors, light and dark silver. Provided with glass holder.

Code	Description	€	
MOBINH2OG	Support cabinet standard (light silver)		
MOBINH2OG2	Support cabinet standard (dark silver)		
MOBINH2OGVNS	Support cabinet Venus/Purity (light silver)		
MOBINH2OG2VNS	Support cabinet Venus/Purity (dark silver)		
Dimensions	Height (mm)	Width (mm)	Depth (mm)
	920	350	410



BEVCO

2.HORECA DISPENSING SOLUTIONS

MINI INFINITY / INFINITY

Counter top water dispenser for cold/sparkling/room temperature water. 2 portion controls for both cold and sparkling water, which can be dispensed simultaneously. Ice bank technology (Isotech insulation). External casing made in aluminum and stainless steel. 6 touch buttons. Front or side dispensing.



MINI INFINITY PRO

Voltage	230 V - 50 Hz
Compressor power	1/6 hp
Water bath capacity	7 l
Cooling capacity	50 l/h
Carbonator pump (SW)	Volumetric 150 l/h
Carbonator capacity (SW)	1 l




Code	Description	€		
MINF6163SP	Mini Infinity Pro Front dispensing 3 selections			
MINF616L3SP	Mini Infinity Pro Side dispensing 3 selections			
MINF6162SPCA	Mini Infinity Pro CA Front dispensing 2 selections			
Dimensions	Height (mm)	Width (mm)	Depth (mm)	
MINF616 / MINF616CA	493	260	571	
MINF616L	493	260	571	

INFINITY PRO

Voltage	230 V - 50 Hz
Compressor power	1/6 hp
Water bath capacity	14 l
Cooling capacity	90 l/h
Carbonator pump (SW)	Volumetric 150 l/h
Carbonator capacity (SW)	1 l

Code	Description	€		
INF14143SP	Infinity Pro Front dispensing 3 selections			
INF1414L3SP	Infinity Pro Side dispensing 3 selections			
INF1414CA	Infinity Pro CA Front dispensing 2 selections			
Dimensions	Height (mm)	Width (mm)	Depth (mm)	
INF1414 / INF1414CA	499	310	638	
INF1414L	499	310	638	

PETIT ICE 50 LUX

Counter top dispenser with 3 selections: room temperature, cold and sparkling cold water.

Equipped with manual taps in plastic and drip tray.

Ice bank cooling technology, external housing in stainless steel and upper lid in stainless steel.

Voltage	230 V - 50 Hz
Compressor power	1/8 hp
Water bath capacity	9 l
Cooling capacity	50 l/h
Carbonator pump (SW)	Booster 120 l/h
Carbonator capacity (SW)	1 l




Code	Description	€		
PTICE50LX	PETIT ICE 50 LUX 1/8 HP (horizontal stainless steel with taps and drip tray)			
Dimensions	Height (mm)	Width (mm)	Depth (mm)	
* Taps and drip tray not included	392*	250	395*	

PETIT ICE 50

Under counter dispenser with 3 selections: room temperature, cold and sparkling cold water. Ice bank cooling technology, external housing in stainless steel and upper lid in stainless steel.

Voltage	230 V - 50 Hz
Compressor power	1/8 hp
Water bath capacity	9 l
Cooling capacity	50 l/h
Carbonator pump (SW)	120 lt/h
Carbonator capacity (SW)	1 l



Code	Description	€		
PTICE50	PETIT ICE 50 1/8 HP under counter horizontal stainless steel			
Dimensions	Height (mm)	Width (mm)	Depth (mm)	
	392	249	395	



Code	Description	€		
PTICE50V	PETIT ICE 50V 1/8 HP VERTICAL under counter vertical skinplate			
Dimensions	Height (mm)	Width (mm)	Depth (mm)	
	557	266	273	



MINI NEPTUN LUX

Counter top water dispenser with 2 or 3 selections of room temperature water, cold and cold sparkling water. Equipped with 3 plastic taps and drip tray. Ice bank cooling technology, external housing in satin-finished stainless steel, lid in polished stainless steel. Isotech Plus isolation technology.

Voltage	230 V - 50 Hz
Compressor power	1/6 hp
Water bath capacity	6 l
Cooling capacity	50 l/h
Carbonator pump (SW)	Volumetric 150 l/h
Carbonator capacity (SW)	1 l

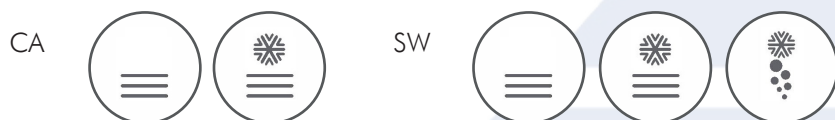


Code	Description	€		
MNPTCA716LX	Mini Neptun Lux CA			
MNPTLX16P	Mini Neptun Lux SW			
Dimensions	Height (mm)	Width (mm)	Depth (mm)	
* Taps and drip tray not included	490*	258	453*	

MINI NEPTUN

Under counter water dispenser with 2 or 3 selections of room temperature water, cold and cold sparkling water. Ice bank cooling technology, skin plate housing and Isotech Plus isolation technology.

Voltage	230 V - 50 Hz
Compressor power	1/6 hp
Water bath capacity	6 l
Cooling capacity	50 l/h
Carbonator pump (SW)	Volumetric 150 l/h
Carbonator capacity (SW)	1 l
Fittings in/out/CO ₂	Ø 8mm
Ricirculation	Ø 8mm



Code	Description	€		
MNPTCA716	Mini Neptun CA			
MNPT16P	Mini Neptun SW			
Dimensions	Height (mm)	Width (mm)	Depth (mm)	
	396	259	467	

NEPTUN LUX

Over counter water dispenser with 2 or 3 selections of room temperature, cold and cold sparkling water. Equipped 3 plastic taps and drip tray. Ice bank cooling system, external housing in satin-finished stainless steel, lid in polished stainless steel. Isotech Plus isolation technology.



Voltage	230 V - 50 Hz
Compressor power	1/4 hp
Water bath capacity	14 l
Cooling capacity	90 l/h
Carbonator pump (SW)	Volumetric 150 l/h
Carbonator capacity (SW)	1 L




Code	Description	€
NPTCA1414LXP	Neptun Lux CA	
NPTS1414LXP	Neptun Lux SW	
NPTS1414LXL	Neptun Lux Side taps	

Dimensions	Height (mm)	Width (mm)	Depth (mm)
* Taps and drip tray not included	490*	308	638*

NEPTUN

Under counter water dispenser with 2 or 3 selections of room temperature, cold and cold sparkling water. Ice bank cooling technology, skin plate grey external housing. Isotech Plus isolation technology.

Voltage	230 V - 50 Hz
Compressor power	1/4 hp
Water bath capacity	14 l
Cooling capacity	90 l/h
Carbonator pump (SW)	Volumetric 150 l/h
Carbonator capacity (SW)	1 l
Fittings in/out/CO2	Ø 3/8"
Ricirculation	Ø 3/8"




Code	Description	€
NPT1414CA	Neptun CA	
NPT1414P	Neptun SW	

Dimensions	Height (mm)	Width (mm)	Depth (mm)
	490	308	515

AQUAVERT 20

Under counter water dispensers with 3 selections of room temperature, cold and cold sparkling water. Ice bank cooling system, skin plate housing. Square base to occupy the minimum space. Isotech Plus isolation technology.

AQUAVERT 20

Voltage	230 V - 50 Hz
Compressor power	1/5 hp
Water bath capacity	20 l
Cooling capacity	90 l/h
Carbonator pump (SW)	Volumetric 150 l/h
Carbonator capacity (SW)	1 l
Fittings in/out/CO2	Ø 3/8"
Ricirculation	Ø 1/2"





Code	Description	€		
AQV1520L	Aquavert 20			
Dimensions	Height (mm)	Width (mm)	Depth (mm)	
	581	340	326	

AQUAVERT 36

Voltage	230 V - 50 Hz
Compressor power	1/4 hp
Water bath capacity	36 l
Cooling capacity	140 l/h
Carbonator pump (SW)	Volumetric 150 l/h
Carbonator capacity (SW)	1 l
Fittings in/out/CO2	Ø 3/8"
Ricirculation	Ø 1/2"

Code	Description	€		
AQV1436L	Aquavert 36			
Dimensions	Height (mm)	Width (mm)	Depth (mm)	
	605	400	400	

INFINITY TOWER

Dispensing tower with electric control for cold/sparkling/room temperature water
2 portion controls for both cold and sparkling water, which can be dispensed simultaneously through the 2 dispensing taps.
Ice bank technology. External casing made in aluminum and stainless steel with 6 touch buttons.

Voltage 230 V - 50 Hz

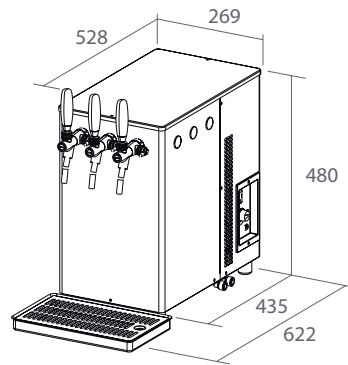



Code	Description	€		
INFT2	Infinity Tower 3 selections			
Dimensions	Height (mm)	Width (mm)	Depth (mm)	
	474	260	213	

TEVERE

TEVERE is the high-efficiency counter top water cooler with taps from CLASSIC line. Connected to the water mains, with an ice bank refrigerating system and a very performing technology for high volumes of refrigerated water at constant temperature, it dispenses cold, still or sparkling, and room-temperature water.

External sheet	stainless steel
Cooling system	ice bank
Dispensing capability	80 l/h
Cooling capacity	300 W
Water tank capacity	13 l
Carbonator capacity	1 l
Carbonation pump	rotativa rotary 300 l/h
Compressor power	1/8 hp
Cooling gas	r134a
Voltage	220-230Volt/50hz

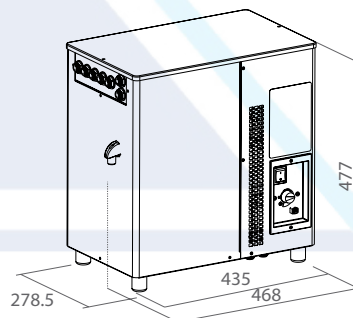


Code	Description	€
SS002535	Counter top Tevere cold-sparkling water	
SS001879	Soprabanco Tevere acqua fredda-temperatura ambiente-gassata	
Dimensions	Height (mm)	Width (mm)
	480	269
		622

JUMBO 13

JUMBO 13 is a powerful undercounter water cooler from CLASSIC line. Connected to the water mains, with an ice bank refrigerating system and a very performing technology for high volumes of refrigerated water at constant temperature, it dispenses cold, still or sparkling, and room temperature water.

External sheet	stainless steel
Cooling system	ice bank
Dispensing capability	80 l/h
Cooling capacity	300 W
Water tank capacity	13 l
Carbonator capacity	1 l
Carbonation pump	rotative 300 l/h
Compressor power	1/8 hp
Cooling gas	r134a
Voltage	220-230 Volt/50 hz
Ricirculation pump	6 m

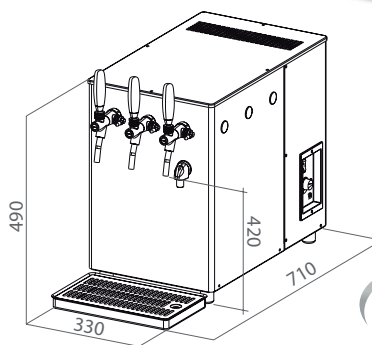


Code	Description	€
SS002755	Under counter Jumbo 13 cold-room temperature-sparkling water + pump 6 m	
SS008195	Under counter Jumbo 13 cold-room temperature water + pump 6 m	
Dimensions	Height (mm)	Width (mm)
	477	278,5
		468

DANUBIO

DANUBIO is the high-efficiency counter top water cooler with taps from CLASSIC line. Connected to the water mains, with an ice bank refrigerating system and a very performing technology for high volumes of refrigerated water at constant temperature, it dispenses cold, still and sparkling, and room temperature water.

External sheet	skinplate
Cooling system	ice bank
Dispensing capability	120 l/h
Cooling capacity	500 W
Water tank capacity	20 l
Carbonator capacity	1,2 l
Carbonation pump	rotary 300 l/h
Compressor power	1/4 hp
Cooling gas	r134a
Voltage	220-230Volt/50hz



Code	Description	€
------	-------------	---

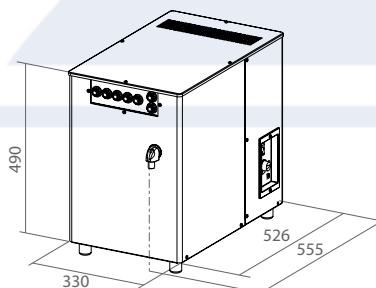
SS02452	Counter top Danubio cold-sparkling water	
SS01875	Counter top Danubio cold-room temperature-sparkling water	

Dimensions	Height (mm)	Width (mm)	Depth (mm)
	490	330	710

JUMBO 20

JUMBO 20 is a powerful undercounter water cooler from CLASSIC line. Connected to the water mains, with an ice bank refrigerating system and a very performing technology for high volumes of refrigerated water at constant temperature, it dispenses cold, still or sparkling, and room temperature water.

External sheet	stainless steel
Cooling system	ice bank
Dispensing capability	120 l/h
Cooling capacity	600 W
Water tank capacity	20 l/m
Carbonator capacity	1,2 l
Carbonation pump	rotary 300 l/h
Compressor power	1/4 hp
Cooling gas	r134a
Voltage	220-230 Volt/50 hz
Ricirculation pump	6 m



Code	Description	€
------	-------------	---

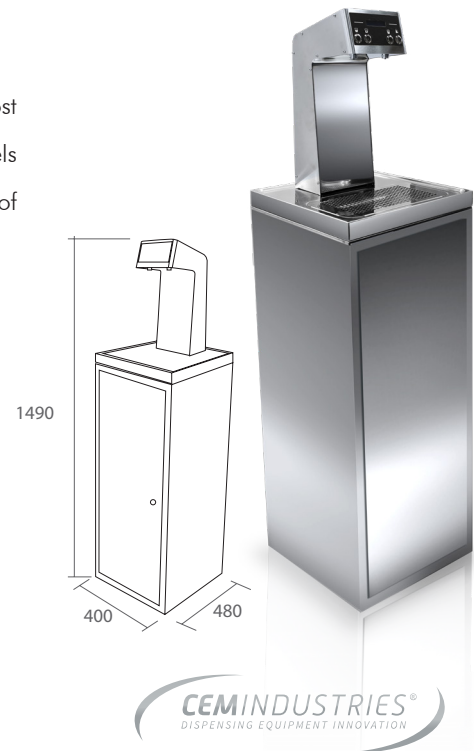
SS02534	Under counter Jumbo 20 cold-sparkling-room temperature water	
---------	--	--

Dimensions	Height (mm)	Width (mm)	Depth (mm)
	490	330	555

AURORA

Aurora and Aurora Plus water fountains with Eden NG dispensing font are the utmost expression of technology and Italian design. Designed and manufactured with high-quality materials, they meet at maximum levels the highest standards of reliability and efficiency. They dispense cold or room-temperature water, still or with the desired amount of bubbles.

External sheet	stainless steel
Cooling system	ice bank
Dispensing capability	80 l/h
Cooling capacity	230 W/200 Kcal
Water tank capacity	13 l
Carbonator capacity	1,2 l
Carbonation pump	rotary 300 l/h
Compressor power	1/5 hp
Cooling gas	r134a
Voltage	220-230 Volt/50 hz
Ricirculation pump	6 m



Code	Description	€		
SS016473	Aurora water fountain cold-room temperature-sparkling water + Eden NG tower			
Dimensions	Height (mm)	Width (mm)	Depth (mm)	
	1490	400	480	

AURORA PLUS

Aurora and Aurora Plus water fountains with Eden NG dispensing font are the utmost expression of technology and Italian design. Designed and manufactured with high-quality materials, they meet at maximum levels the highest standards of reliability and efficiency. They dispense cold and room temperature water, still or with the desired amount of bubbles.

External sheet	stainless steel
Cooling system	ice bank
Dispensing capability	120 l/h
Cooling capacity	600 W
Water tank capacity	20 l
Carbonator capacity	1,2 l
Carbonation pump	rotary 300 l/h
Compressor power	1/3 hp
Cooling gas	r134a
Voltage	220-230 Volt/50 hz



Code	Description	€		
SS016644	Aurora water fountain cold-room temperature-sparkling water + Eden NG tower			
Dimensions	Height (mm)	Width (mm)	Depth (mm)	
	1460	600	400	

3. WATER DISPENSING SYSTEMS FOR HO.RE.CA AND PUBLIC FOUNTAINS

MIGNOLO MIX

Under counter water dispenser with 3 selections of room temperature, cold and sparkling cold water. Ice bank cooling system, grey skin plate external housing. It is possible to add extra coils.

Voltage	230 V - 50 Hz
Compressor power	1/2 hp
Water bath capacity	60 l
Cooling capacity	200 l/h
Carbonator pump (SW)	Volumetric 150 l/h
Carbonator capacity (SW)	2 l
Fittings in/out/CO2	Ø 3/8"
Ricirculation	Ø 1/2"




Code	Description	€		
MIGX1260LP	Mignolo Mix			
Dimensions	Height (mm)	Width (mm)	Depth (mm)	
	687	422	604	

MAGO MIX

Under counter water dispenser with 3 selections of room temperature, cold and sparkling cold water. Ice bank cooling system, grey skin plate external housing. Isolation with Isotech plus technology. It is possible to add extra coils.

Voltage	230 V - 50 Hz
Compressor power	1/2 hp
Water bath capacity	90 l
Cooling capacity	300 l/h
Carbonator pump (SW)	Volumetric 150 l/h
Carbonator capacity (SW)	2 l
Fittings in/out/CO2	Ø 3/8"
Ricirculation	Ø 1/2"




Code	Description	€		
MGX1290LP	Mago Mix			
MGX1290LI	Mago Mix Stainless steel			
Dimensions	Height (mm)	Width (mm)	Depth (mm)	
	710	500	700	

MONSTER MIX

Under counter water dispenser with 2 selections: cold and sparkling cold water. Ice bank cooling system, grey skin plate external housing. Isolation with Isotech plus technology. It is possible to add extra coils.

Voltage	230 V - 50 Hz
Compressor power	1 hp
Water bath capacity	165 l
Cooling capacity	400 l/h
Carbonator pump (SW)	Volumetric 300 l/h
Carbonator capacity (SW)	2 l
Fittings in/out/CO2	Ø 3/8"
Ricirculation	Ø 1/2"




Code	Description	€
MNX1651HPPD	Monster Mix 2+2	
MNX1651HPPDI	Monster Mix 2+2 Inox	

Dimensions	Height (mm)	Width (mm)	Depth (mm)
	822	522	943

PARTY MIX

Mobile water dispenser with 2 or 3 selections of room temperature water, cold and cold sparkling water. Ice bank cooling system.

Complete with CO2 pressure regulator, side fixing and high pressure hose.

Skin plate housing available in two versions: complete with tower model Princess 3 outs or prepared for distance dispensing point.

Stainless steel housing prepared for distance dispensing point.

Voltage	230 V - 50 Hz
Compressor power	3/4 hp
Water bath capacity	90 l
Cooling capacity	350 l/h
Carbonator pump (SW)	Volumetric Volumetric 300 l/h
Carbonator capacity (SW)	2 l
Fittings in/out/CO2	Ø 3/8"
Ricirculation	Ø 1/2"




Code	Description	€
PAR190LPCPRIN3	Party Mix SW Skin Princess a 3 vie	
PAR190LPC	Party Mix SW	
PAR190LPCSS	Party Mix SW Inox	

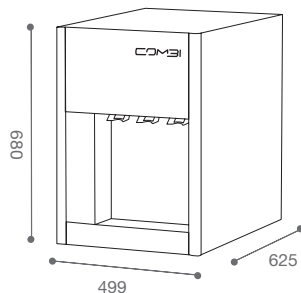
Dimensions	Height (mm)	Width (mm)	Depth (mm)
PAR190LPCPRIN3	1100 + 400	517	517
PAR190LPC - PAR190LPCSS	1100	517	517

COMBI

Combi ADA 1/2 two doses F-A-G

- Water dispenser for cold still and cold sparkling water. Cold lightly sparkling water as an optional
- 2 portion controls for each type of water
- UV lamps on taps
- Ice bank technology
- External housing in stainless steel

Voltage 230 V - 50 Hz
 Compressor power 1/2 hp
 Water bath capacity 60 l
 Cooling capacity 240 l/h
 Carbonator pump (SW) 300 l/h



Code	Description	€		
N28309	Combi ADA 1/2 Hp 2 two doses F-G-LG			
N74309	Frame for Combi			
Dimensions	Cup holder compartment height (mm)	Height (mm)	Width (mm)	Depth (mm)
	323	680	499	625

COMBI CABINETS

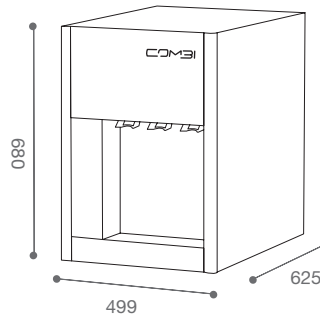
Code	Description	€	
N27776	Standard cabinet		
N27902	Combi cabinet		
Dimensions	Height (mm)	Width (mm)	Depth (mm)
N27776	925	504	651
N27902	870	499	625



Combi ADA 1/2 F-A-G with coin mec payment system

- Water dispenser for cold/sparkling/room temperature water
Lightly sparkling water as an optional
- 2 portion controls for each type of water
- UV lamps on taps
- Vandal resistant push buttons
- Coin mech payment system and card/key reader
- Ice bank technology
- External housing in stainless steel

Voltage 230 V - 50 Hz
Compressor power 1/2 hp
Water bath capacity 60 l
Cooling capacity 240 l/h
Carbonator pump (SW) 300 l/h



BEVCO

Code	Description	€		
N28324	Combi ADA 1/2 F-A-G with coin mec payment system			
N74309	Frame for Combi			
Dimensions	Cup holder compartment height (mm)	Height (mm)	Width (mm)	Depth (mm)
	323	680	499	625

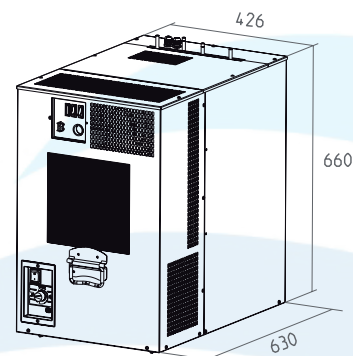
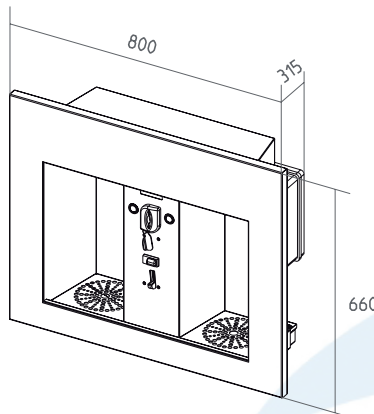
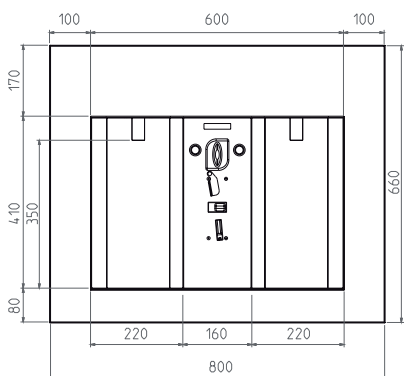
COMBI CABINETS

Code	Description	€	
N27776	Standard cabinet		
N27902	Combi cabinet		
Dimensions	Height (mm)	Width (mm)	Depth (mm)
N27776	925	504	651
N27902	870	499	625



WATER DISPENSER FOR PUBLIC FOUNTAIN

Designed to be integrated into pre-existing buildings in masonry, steel and wood, into indoor and outdoor facilities, this water dispenser is supplied with a panel in stainless steel 304L and a water cooling and carbonating system. Born from the idea of promoting a culture of drinking water responsibility, public fountains are an important resource for the whole community. They dispense an unlimited and always-available amount of pure water, ready for instant consumption, still or sparkling in accordance with preference.



- External sheet
- Cooling system
- Dispensing capability
- Cooling capacity
- Sparkling Water dispensing capability
- Carbonator capacity
- Carbonation pump
- Compressor power
- Cooling gas
- Voltage
- Ricirculation pump

- stainless steel 304L and skinplate
- ice bank
- 251 l/h
- 580 W/500 Kcal
- 3 l/m
- 2 l
- rotary 300 l/h
- 1/2 hp
- r134a
- 220-230 Volt/50 hz
- 8 m

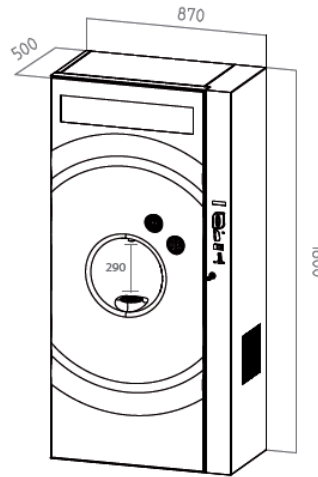


Code	Description	€		
SS011366	Vending machine for public water fountain with UV lamp + Mig 60 cold and sparkling			
Dispenser dimensions	Height (mm)	Width (mm)	Depth (mm)	
	660	426	630	

ELIXIR

Elixir fountain dispenses cold still and cold sparkling water. Payment options: coins, key and card.
 It is the ideal solution in public places, dedicated to people who understand the importance of health, for themselves and for their environment.
 Elixir is the most beautiful way to drink water.

External sheet	stainless steel
Cooling system	ice bank
Dispensing capability	120 l/h
Cooling capacity	360 W/310 kcal
Sparkling water dispensing capability	2,5 l/m
Carbonator capacity	1,2 l
Carbonation pump	rotary 200 l/h
Compressor power	1/4 hp
Cooling gas	r134a
Voltage	220-230 Volt/50 hz
Ricirculation pump	6 m
Unit weight	200 kg



Code	Description	€
SS013156	Vending water fountain Elixir stainless steel cold and sparkling water	
Dimensions	Height (mm)	Width (mm)
	1800	870
		Depth (mm)
		500

EXTERNAL CARBONATOR

External carbonators 1 and 2 liters to produce sparkling water at ambient temperature. Possible coupling with a separate cooler.
Grey skin plate housing.

Voltage	230 V - 50 Hz
Carbonation pump (SW)	Volumetric 300 l/h
Carbonator capacity (CARBC101)	2 l
Carbonator capacity (CARBC201)	2 l



BEVCO

Code	Description	€		
CARBC101	External carbonator 1 LT			
CARBC201	External carbonator 2 LT			
Dispenser dimensions	Height (mm)	Width (mm)	Depth (mm)	
CARBC101	355	335	190	
CARBC201	485	380	200	

EXTERNAL COLD CARBONATOR

External cold carbonator 2 liters to produce sparkling water. Possible coupling with a separate cooler. In order to obtain high carbonation levels, external cold carbonator is equipped with a cooling system that uses water recirculation of an existing cooler.
Grey skin plate housing.

Voltage	230 V - 50 Hz
Carbonation pump (SW)	Volumetric 300 l/h
Carbonator capacity	2 l



BEVCO

Code	Description	€		
CARBF201	External cold carbonator 2 LT			
Dimensions	Height (mm)	Width (mm)	Depth (mm)	
CARBF201	485	380	200	

4. DISPENSER OFFICE

WATER DISPENSER

Code	Description	€
A90006	Plumbed-in water dispenser SO102C COLD AND ROOM TEMPERATURE	
A90007	Plumbed-in water dispenser SO102C COLD AND HOT	
CP220002	Plumbed-in water dispenser CP 2200 COLD AND HOT	
A9000I	Reverse osmosis systems for PLUMBED-IN WATER DISPENSER	
A900CA	Microfiltration system for PLUMBED-IN WATER DISPENSER	
A90010	Bottled water dispenser SO101C COLD AND ROOM TEMPERATURE + BOTTLE	
A90011	Bottled water dispenser SO101C COLD AND HOT + BOTTLE	



Dispenser dimensions	Height (mm)	Width (mm)	Depth (mm)
A90011	1000	340	330
A90006	1000	340	330
CP220002	1130	360	380



ACCESSORIES

Code	Description	€
A90024	Cup holder in white polycarbonate for 100 plastic cups	
A90020	Replacement 5 gal bottle in polycarbonate for water dispenser SO101	
A90022	Plastic lid for polycarbonate bottle	
A90012	102 Red tap for SO101/102	
A90013	102 Blue tap for SO101/102	
A90014	102 White tap for SO101/102	
A90015	102 Drip tray for SO101/102	
A90012A	Rep tap for CP2002	
A90013A	Blue tap for CP2002	
A90014A	White tap for CP2002	
A90015A	Drip tray for CP2002	

5. FILTRATION SYSTEMS

EASY FILTER

Easy Filter is an under counter machine that purifies drinking water from unpleasant smells and tastes and provide it at room temperature in the absence of bacteria, viruses and other biological materials. It consists of a microfiltration system, a meter for liters/hours/flow, a 11 watt UV sterilizer and an anti flooding probe with its control unit. Skin plate housing. Cartridge included OCEANO OK36S00 Precoat 0.5 μm Ag Bayo.

Weight 4,5 Kg
 Water source drinkable water mains
 Voltage 220/240 v - 50 Hz
 Watt 65 Watt
 Filtration OCEANO OK36S00



Code	Description	€		
BS040203	Easy filter with Oceano OK36S00 cartridge			
Dimensions	Height (mm)	Width (mm)	Depth (mm)	
	345	390	120	

EASY GAS

Easy Gas is a plumbed-in under counter system that purifies water by removing bad taste and odor and dispenses it at room temperature with or without the addition of carbon dioxide. It takes up very small space under the sink and can be connected to any type of CO2 cylinder, disposable or rechargeable. Tap is not included. Skin plate external housing.

Weight 7 Kg
 Water source drinkable water mains
 Voltage 220/240 v - 50 Hz
 Watt 100 Watt
 Filtration OCEANO OK10S00
 Filtration pump Booster 80 l/h
 Carbonator capacity 1 l



Code	Description	€		
BS040100	Home external cold carbonator Easy Gas with Oceano filtration kit included			
Dimensions	Height (mm)	Width (mm)	Depth (mm)	
	345	390	120	

PROFESSIONAL FILTRATION SYSTEMS

These complete filtration systems are mounted on skin plated panels, in accordance with DM 25 of February 7, 2012, making controlling performance and parts replacements simple and easy. The flow meter is mechanical and cannot be reset. Designed specifically for professional use. Water pressure regulator included in all models. Available versions with or without UV sterilizers and with 1 or 2 filtration stages. The 2nd filtration stage is recommended in case of high turbidity.



BEVCO

Code	Description	€
------	-------------	---

BS040310	Professional filtration kit OCEANO with flow meter and bypass (Oceano filter not included)	
----------	--	--



BS040315	Professional filtration kit OCEANO with flow meter, UV sterilizer and bypass (Oceano filter not included)	
----------	---	--



BS040320	Professional 2 stage filtration kit OCEANO with flow meter, UV sterilizer and bypass (Oceano filters not included)	
----------	--	--



Dimensions	Height (mm)	Width (mm)	Depth (mm)
BS040310	430+100	285	105
BS040315	430+50	380	105
BS040320	430+100	500	105

6. REVERSE OSMOSIS SYSTEMS

MINI OSMOGASFRESH DRY

Under counter dispenser with filtration system that uses a direct reverse osmosis technology, providing osmotic water at room temperature, cold still water and cold sparkling water. The small dimensions allow for this system to be placed also where space is constrained. Dry cooling system with aluminum block, grey external housing. The use of a 400 gallon membrane guarantees a high production of osmotic water.



Voltage	230 V - 50 Hz
Filtration	membrane 460 gpd
Compressor power	1/20 hp
Cooling capacity	18 l/h
Carbonation pump	Volumetric 300 l/h
Carbonator capacity (SW)	0,5 l
Osmotic water production	90 l/h




Code	Description	€		
OI20096	Mini Osmogafresh Dry			
Dimensions	Height (mm)	Width (mm)	Depth (mm)	
	470	170	420	






OSMOGASFRESH DRY TOP SW

Over counter water dispenser with 3 selections of room temperature water, cold and cold sparkling water. Reverse osmosis filtration system included. Dry cooling system with aluminum block, grey external housing with thermoformed front available in 5 different colours.

Voltage 230 V - 50 Hz
 Compressor power 1/20 hp
 Cooling capacity 18 l/h
 Carbonation pump Volumetric 300 l/h
 Carbonator capacity (SW) 0,5 l
 Osmotic water production 90 l/h





Code	Description	€
OI200 . . . 76 77 78 79 80	Osmogasfresh dry top SW	
    		

Dimensions	Height (mm)	Width (mm)	Depth (mm)
	425	290	520

7. TAPS AND TOWERS

MECHANICAL TAPS FOR HOME & OFFICE

Code	Description	€
OI021998	Swan-neck 2 ways tap	
OI021999	Swan neck sampling tap 1 way	
OI021991	Chrome-plated single handle mixer 3 ways tap made in Italy, only for threated water	
OI021990	3-way chrome-plated mixer with high barrel made in Italy Hot/cold and threated	
OI021992	Additional 3-way faucet in chrome with high barrel made in Italy	
OI021993	Additional 3-way faucet in chrome with low barrel made in Italy	
OI021994	Chrome-plated 5 ways tap with high spout Made in Italy	
OI021988	Chrome-plated 3 way electric faucet in goose neck made in Italy	



GENESIS

Connected to an under counter cooling system and to a filtration system, the new Genesis tap dispenses room temperature, cold and sparkling water.



014627



014629



Code	Description	€
SS014627	Chrome-plated brass 3 ways Genesis tap membrane keyboard + valve box	
SS014629	Chrome-plated brass 3+2 ways Genesis tap touch keyboard + valve box	
Dimensions	Height from the base to the tap's exit (mm)	
	285	

NEW PACIFIC E PACIFIC

Mechanical dispensing tower with 3 selections of room temperature still water, cold and cold sparkling water. New Pacific: Chrome plated brass body, available also with plastic finishing. Pacific: polished stainless steel body.

Outer diameter 50 mm

Height 330 mm (Pacific) 320mm (new Pacific)



New Pacific



Pacific



Code	Description	€
NWPCFCR	Plated New Pacific	
010009	Pacific	

ATLANTIC

Electrical dispensing tower with 3 selections, 2 (cold and sparkling water) with portion control to set up 2 different sizes (glass or bottle) for room temperature still water, cold and cold sparkling water. Polished stainless steel body, external electric board, tower with quick connection fittings. Complete with 2 electric valves. Available with 1 or 2 dispensing taps.

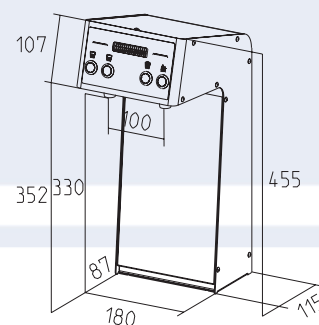
Outer diameter 100 mm
Height 565 mm



Code	Description	€
ATLBS	Atlantic1 Way	
ATL2	Atlantic 2 Way	
ATL23SP	Atlantic 2 Way 3 portioned selections	

EDEN NG

Bush buttons dispensing tower, with elegant design and efficiently sized. It dispenses room temperature, cold and sparkling water. Portion control is possible on all 3 selections for 2 different doses (small/large). Labels and text settings can be personalized and are available in four languages (Italian, English, Spanish, German), English is the default. Possibility to set up alerts for filter replacement and water supply interruption.



Code	Description	€	
SS016227	Eden tower NG2 3 ways in stainless steel with 2 spouts for simultaneous dispensing + driptray		
Dimensions	Height (mm)	Width (mm)	Depth (mm)
	455	180	202

GENIUS

Connected to a tower and to an under counter cooling system, the new Genius tap dispenses room temperature, cold, sparkling and hot water.



Code	Description	€
SS016385	Chrome-plated brass Airone tower + Genius touch module with optional hot water way + valve box	
Dimensions	Height (mm)	
	386	

PRINCESS

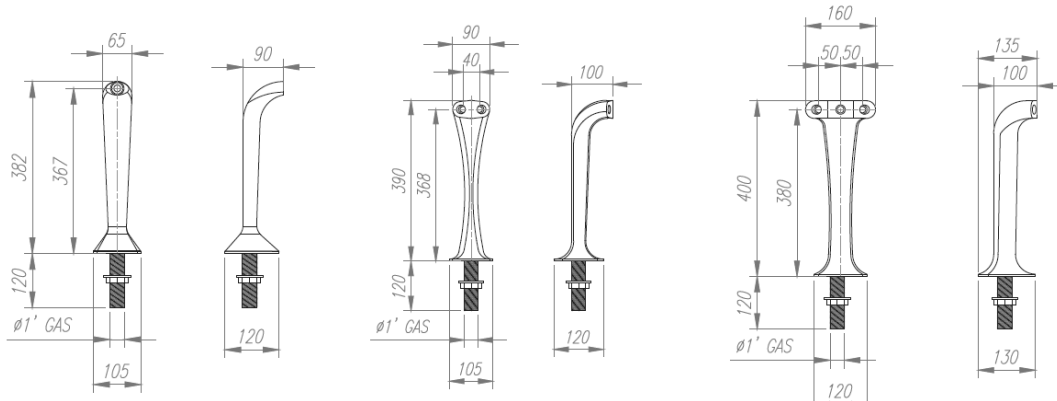
COMPLETE KIT

Princess tower in chrome plated brass, available with 1, 2 or 3 ways. Plastic CMB tap or chrome plated DRAFT taps included. Badge holders, spacers and driptray included. (The images are for illustrative purposes only).

Thread 5/8"
Water supply tube's diameter 8 mm



Code	Description	€
PRS1CR588DFT	Kit Princess tower 1 way + DRAFT tap	
PRS1CR588CMB	Kit Princess tower 1 way + CMB tap	
PRS2CR588DFT	Kit Princess tower 2 ways + DRAFT tap	
PRS2CR588CMB	Kit Princess tower 2 ways + CMB tap	
PRS3CR588DFT	Kit Princess tower 3 ways+ DRAFT tap	
PRS3CR588CMB	Kit Princess tower 3 ways + CMB tap	



EVOLUTION

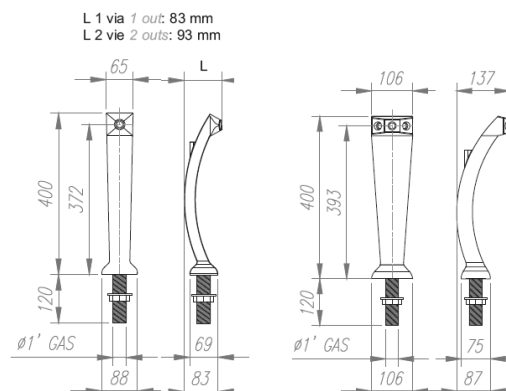
COMPLETE KIT

Evolution tower in polished chrome plated brass, available with 1, 2 or 3 ways. Plastic CMB tap or chrome plated DRAFT taps included. Badge holders, spacers and driptray included.
(The images are for illustrative purposes only)

Thread 5/8"
Water supply tube's diameter 8 mm



Code	Description	€
EV1CR588DFT	1 way + DRAFT tap	
EV1CR588CMB	1 way + CMB tap	
EV2CR588DFT	2 ways + DRAFT tap	
EV2CR588CMB	2 ways + CMB tap	
EV3CR588DFT	3 ways + DRAFT tap	
EV3CR588CMB	3 ways + CMB tap	



ALLEGRA

Allegra tower in white polished vitreous material. Chrome plated DRAFT tap and drip tray included. Available in 2 ways version (1 way version on request).
(The images are for illustrative purposes only)

Height 48 cm
Width 9 cm
Depth 9 cm

Taps not included




Code	Description	€
ALL2VT588C	Allegra Tower H2O	

SKY

COMPLETE KIT

Sky tower in satin-finished stainless steel with 3 ways. Plastic CMB tap or chrome plated DRAFT taps included. Spacers and drip tray included.
(The images are for illustrative purposes only)




Code	Description	€
SKY3CR588RIN	3 ways + DRAFT tap	
SKY3CR588CMB	3 ways + CMB tap	

ACCESSORIES

Code	Description	€
BTTUB50	Tubular bottle KEFASS trasparente glass 50 cl H 205 Ø 68,7 mm (cap not included)	
BTTAPK	Cap for tubular bottle KEFASS 50 and 75	
BTTUB75	Tubular bottle KEFASS trasparente glass 75 cl H 291,8 Ø 68,7 mm (cap not included)	
BTMAX50	Bottle MAXIMA RDB trasparente glass 50 cl H 196,8 Ø 85 mm (cap not included)	
BTTAPM	Aluminium cap for bottle MAXIMA RDB	
BTMAX100	Bottle MAXIMA RDB trasparente glass 100 cl H 243 Ø 103,4 mm (cap not included)	
BTWVGOLD	Glass bottle SO° 1 l + screw silver cap	
RCO148OW	CO2 Pressure reducer 1 way side connection, check valve and JG fitting 5/16"	
SR-371200	CO2 Pressure reducer for disposable tank	
SR-490781	M11 adaptor for 1W21,8 for rechargeable tank	



N700520 CO2 Pressure reducer kit for internal 600 g tank



180008 Disposable 600 g CO2 tank



890056 CO2 tank 2 kg with residual check valve
H 460 Ø 140 mmH 455 Ø 90 mm



890058 CO2 tank 4 kg with residual check valve
H 595 Ø 140 mm

SM004890 Shutoff valve Water Block 3/4F x 3/4M



SM004891 External reset for Water Block shutoff valve



CTLCMP Water flow meter





TERMS AND CONDITIONS

CONTRACTUAL NORMS:

The present general conditions, except for eventual modifications or exceptions agreed by written, discipline all sales contracts between us and the purchaser, therefore both the contract concluded with the acceptance of the order and whichever future contract relative to the supply of the products by our company ordered with different and successive commissions. The variations of the general sales conditions, the transactions and the credits, even if carried out on initiative of our agents/employees, would be valid only after our written confirmation and however limited to the contracts to which they refer.

PRICES:

Shown prices are to be intended NET, excluded fiscal charges, for goods Ex-works at our warehouse. Naturally they can have eventual modifications in relation to the general course of the cost of the raw materials and our costs of purchase at anytime.

OBJECT OF THE SUPPLY:

The supply includes only the performances, the materials and the quantity specified in our order confirmation or other written communications from our company. In any case, the text of our order confirmation would prevail on a different text both of the eventual offer or purchase order. Partial deliveries are admitted. Partial execution of the order without previous confirmation does not mean our approval for the entire order, but partial approval relatively to the delivered goods. In this case the reception of the goods by the purchaser will be equivalent to the his acceptance of the proposed new contract.

ORDER CONFIRMATION:

In case that in our order confirmation should exist differences in the single elements regarding to the purchasing intentions or to the requirements, the buyer who hasn't sent a registered letter declaring his non conformity within ten days from the reception of such an order confirmation, is held to accept the mentioned order confirmation as it has been written up.

DELIVERY:

Goods, even if sold with the transport included to the final destination, travel under purchaser's own risk and danger. So, any seller's responsibility finishes with the delivery of the goods to the carrier. The purchaser, after carrying out the opportune verifications, must formulate eventual claims to the freight forwarder. The terms established for the delivery of the goods must agree in favor of both parties (contractors). Except for the introduction of particular clauses, generally it must be considered as pure and indicative and not essential. Delays caused by force majeure or acts of God would not justify in any case any order cancellation, neither any indemnity requested by the purchaser.

PAYMENTS:

All invoices emitted by Water Line are payable in cash or depending on the modality established and accepted during the ordering process.

Bank receipt emission involves an extra charge to the purchaser of Euro 2,58 for banking expenses. Delay on the payment, even partial, of our invoices beyond the expiration date, must cause an immediate application of the grace period interests, calculated based on the official rate references increased of 7 points. Moreover the lacked or delayed payment of the invoices, for any reason, would give the right, beyond any other initiative, to expect an advanced payment for any remaining supply or to temporarily suspend or even to definitively dissolve the eventual contract and to cancel any supply of other on going orders, purchaser shouldn't expect any compensation, indemnification or other.

RESERVOIR OF PROPERTY:

In the case in which the payment due to contractual agreements must be carried out in all or in pari after the delivery, delivered products remain Water Line's property until the integral payment of the price. In case that the purchaser without any justification delays the supplied goods payment, Water Line could demand the immediate restitution of the goods at purchaser's expenses.

GUARANTEE:

Our guarantee has a 24-months duration from the shipment date of the goods and only involves the substitution of the defective material and excludes any other obligation. Eventual claims on material will not give the right to the Purchaser to suspend or to delay in all or in pari any payment in the agreed terms. Guarantee would be invalidated in case of one of the following cases:

- Damage provoked by faulty electrical connections;
- Defective assembly or however executed without an appropriated protection and precaution
- Lack of the appropriate accuracy during the setting up and the operation of the system by the installer.

In any case, normal perishable and consumable materials or components such as tubes, taps, etc should not be included in the guarantee, as well as whichever type of material or component that, without expressed Water Line's authorization, has been disassembled, repaired or modified in some way. In the case that a customer is not in rule with the payments, it will be Water Line's faculty not to concede the activation of the guarantee.

RETURN OF MATERIALS:

Returns of materials are not accepted if not expressly authorized by Water Une. Return demand must reach Water Une within 15 days after the delivery of the goods by means of the module that the purchaser must complete. Within the following 15 days, Water Une should send its return authorization. Once authorized, within 1 month goods must be sent at purchaser's expense to Water Une warehouse, which once received the material reserves itself the faculty to verify the effective existence of the causes which motivated the return. Returned material must maintain all the features for a proper future reselling: goods must be kept in original and integral packaging, complete of accessories, instruction manuals, etc. For any claim.

COMPETENT AUTHORITY:

Reggio Emilia Court of Law should be the competent authority for the resolution of any controversy.

EFFECTIVITY OF EVERY COMMERCIAL CONDITION:

The above-mentioned general commercial conditions do not have to be considered only as approach sentences. They are effective and faithfully represent the negotiation endeavour of the parts.

THE IMAGES OF THE PRODUCTS MAY DIFFER FROM THE REAL THOSE AND MUST BE CONSIDERED PURELY INDICATIVE

WE RESERVE THE RIGHT TO CHANGE WITHOUT NOTICE, ALL OR PART OF THE FEATURES AND THE PRICES OF PRODUCTS CONTAINED IN THIS DOCUMENT

www.waterline.it

Waterline S.r.l.
Via Caponnetto, 21 | 42122 Reggio Emilia (RE) Italy
C.F.-PIVA Iscriz. CCIA (RE) 02020430357

Customer care
ph +39 0522 626090 | fax +39 0522 626091 | info@waterline.it